

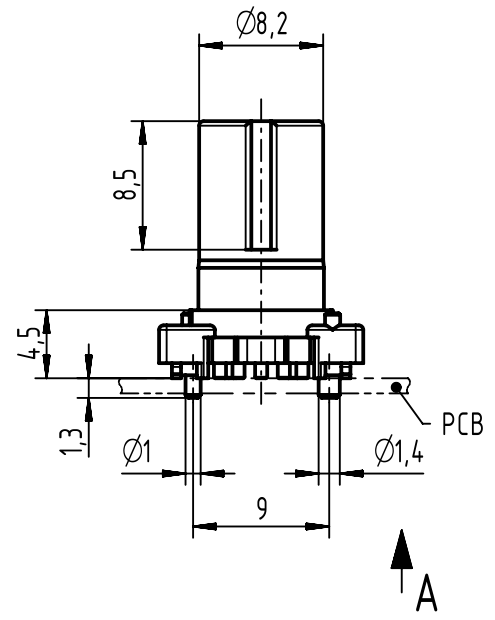
1 2 3 4 5 6

A

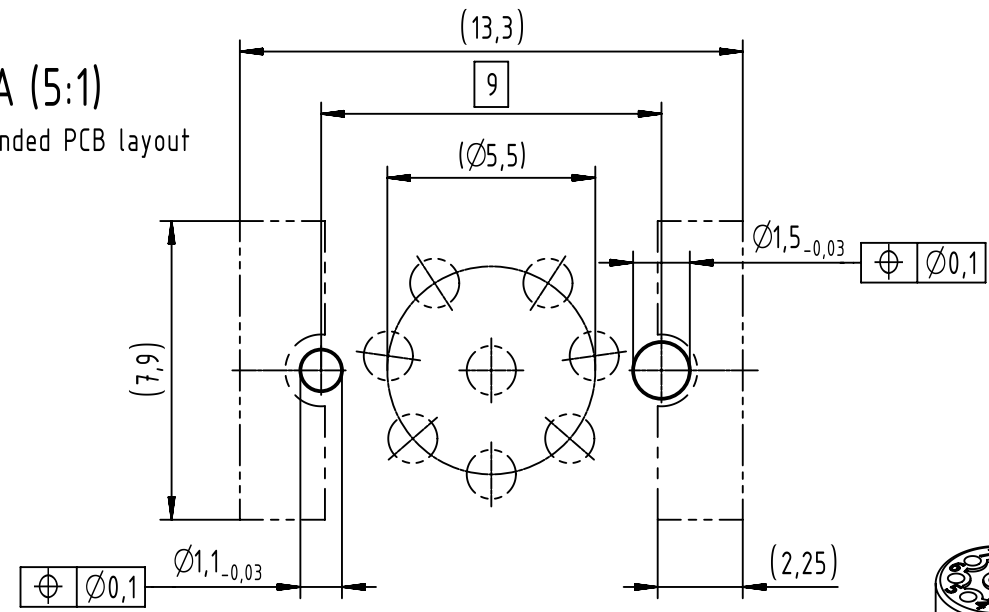
B

C

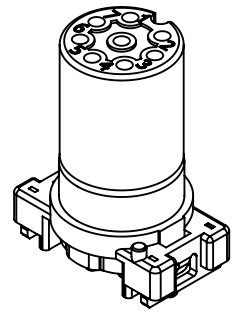
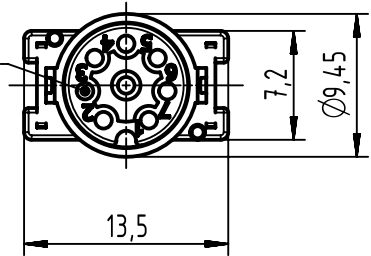
D



A (5:1)
recommended PCB layout



contact face acc. to IEC 61076-2-101



- 75pcs. Tape on Reel package

	All rights reserved Department EC PD - DE	All Dimensions in mm Original Size DIN A4			Scale 2:1	Free size tol.	Ref. Sub.	
		Created by HELLMANN	Inspected by EISFELD	Standardisation KOHLER	Date 2016-08-11	State Final Release		
HARTING Electronics GmbH D-32339 Espelkamp		Title M12-PCB-SMT-2PC-8P-ACOD-F-STR(75)					Doc-Key / ECM-Nr. 100671213/UGD/001/A 500000107452	
		Type TB	Number 21033112811			Rev. A	Page 1/1	