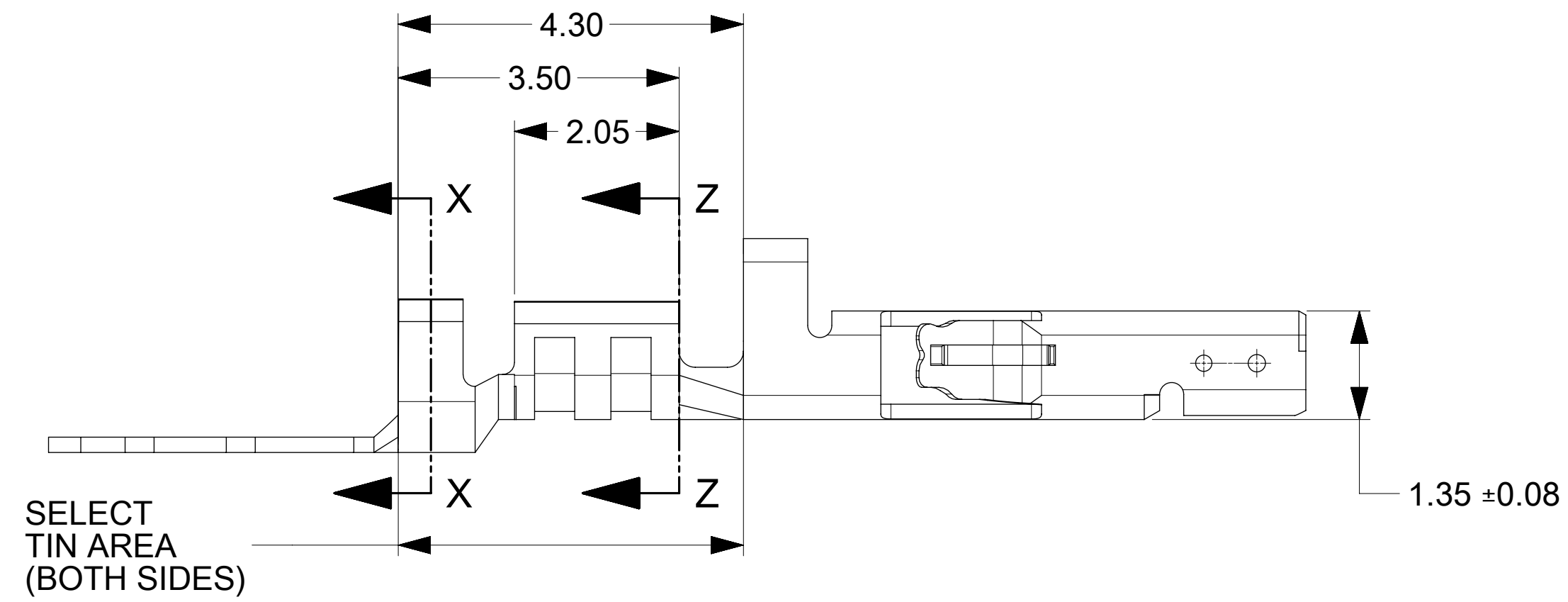
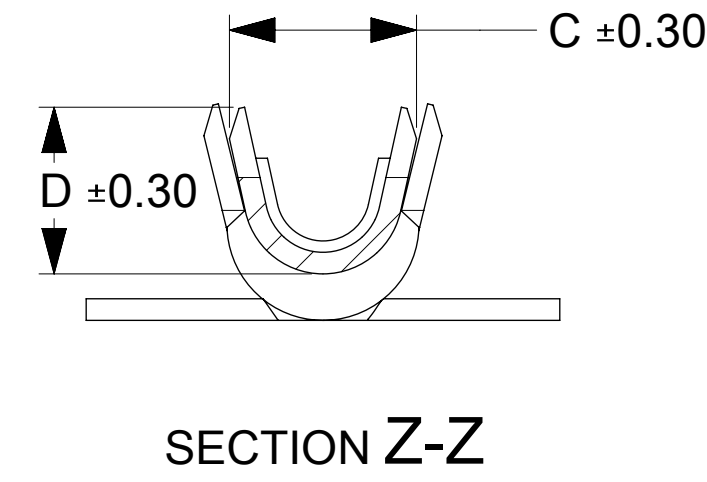
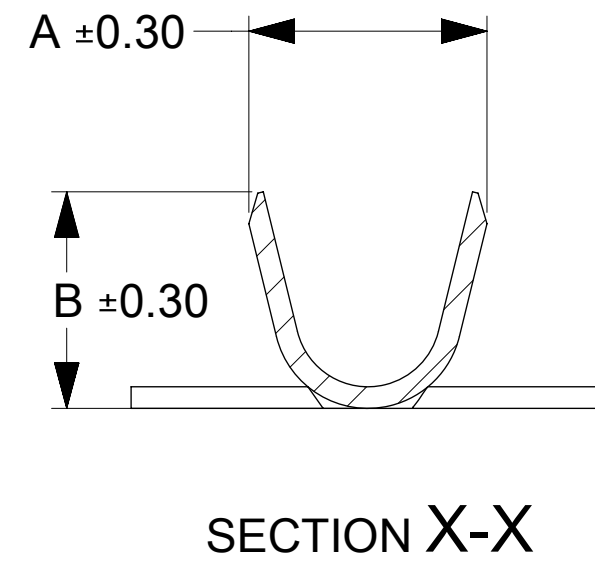
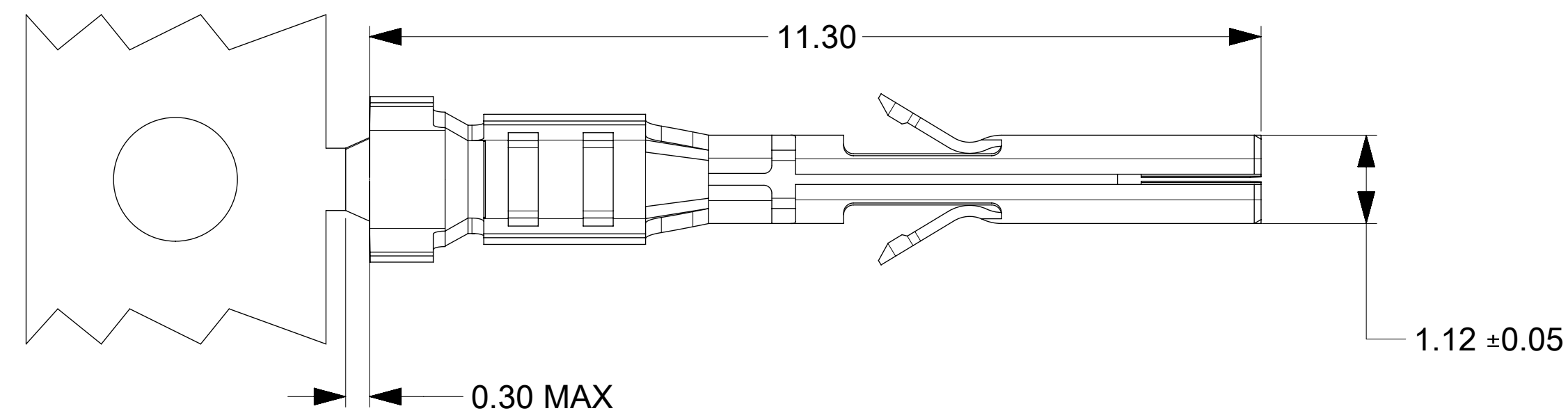
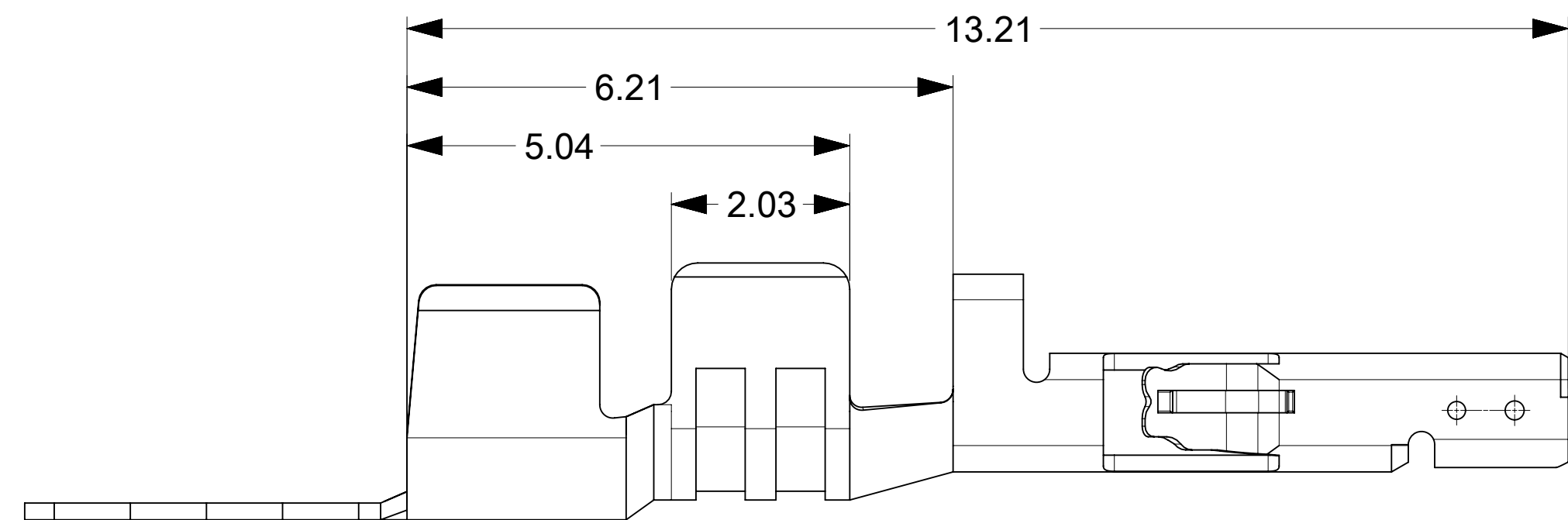


FOR 18AWG & 20-24AWG & 26-30AWG



FOR 16AWG



PART NUMBER	CONTACT PLATING OPTION	WIRE SIZE	ASSEMBLY OPTION	A	B	C	D
2064600011	TIN/NICKEL	26-30 AWG	CHAIN	2.10	1.91	1.65	1.47
2064600021	TIN/NICKEL	20-24 AWG		2.51	2.31	2.08	1.91
2064600031	TIN/NICKEL	18 AWG		2.51	2.31	2.39	2.18
2064600041	TIN/NICKEL	16 AWG		2.97	2.67	2.70	2.70
2064600012	15AU/NICKEL	26-30 AWG	CHAIN	2.10	1.91	1.65	1.47
2064600022	15AU/NICKEL	20-24 AWG		2.51	2.31	2.08	1.91
2064600032	15AU/NICKEL	18 AWG		2.51	2.31	2.39	2.18
2064600042	15AU/NICKEL	16 AWG		2.97	2.67	2.70	2.70
2064600013	30AU/NICKEL	26-30 AWG	CHAIN	2.10	1.91	1.65	1.47
2064600023	30AU/NICKEL	20-24 AWG		2.51	2.31	2.08	1.91
2064600033	30AU/NICKEL	18 AWG		2.51	2.31	2.39	2.18
2064600043	30AU/NICKEL	16 AWG		2.97	2.67	2.70	2.70

NOTES:

- MATERIAL: HIGH COPPER ALLOY
- PLATING :
 - OPTION 1: TIN OVER NICKEL OVERALL
 - OPTION 2: SELECT 15MICROINCH GOLD AND SELECT MATTE TIN OVER NICKEL.
 - OPTION 3: SELECT 30MICROINCH GOLD AND SELECT MATTE TIN OVER NICKEL.
- PRODUCT SPECIFICATION: 2064600000-PS
- PACKAGING SPECIFICATION: 2064600000-PK
- TERMINAL FOR USE IN RECEPTACLE SERIES 206461
- COSMETIC SPECIFICATION: PS-45499-002 CLASS B

THIS DRAWING CONTAINS INFORMATION THAT IS PROPRIETARY TO MOLEX ELECTRONIC TECHNOLOGIES, LLC AND SHOULD NOT BE USED WITHOUT WRITTEN PERMISSION											
DIMENSION UNITS		SCALE		CURRENT REV DESC:							
mm		NTS		EC NO: 688978 DRWN: ZIXUAQ 2021/12/15 CHK'D: XQZHANG 2021/12/16 APPR: XQZHANG 2021/12/16 INITIAL REVISION: DRWN: SMAHAJANSHET 2018/05/08 APPR: NCSR 2019/04/02							
GENERAL TOLERANCES (UNLESS SPECIFIED)											
ANGULAR TOL ± 3.0°											
4 PLACES		±									
3 PLACES		±									
2 PLACES		± 0.25									
1 PLACE		± 0.35									
0 PLACES		±		DRAFT WHERE APPLICABLE MUST REMAIN WITHIN DIMENSIONS							
THIRD ANGLE PROJECTION				DRAWING		SERIES		MATERIAL NUMBER		CUSTOMER	
				D-SIZE		206460		SEE TABLE		GENERAL MARKET	
DOCUMENT NUMBER				DOC TYPE		DOC PART		REVISION			
2064600000-SD				PSD		000		A3			
DOCUMENT STATUS				RELEASE DATE		08:08:38					
P1				2021/12/16		08:08:38					

molex

FEMALE TERMINAL
MICRO-FIT + SOLUTION

PRODUCT CUSTOMER DRAWING

DOCUMENT NUMBER: 2064600000-SD
DOC TYPE: PSD
DOC PART: 000
REVISION: A3

MATERIAL NUMBER: SEE TABLE
CUSTOMER: GENERAL MARKET
SHEET NUMBER: 1 OF 1