

## Sealing cap - PROT-M12 FS VPE100 - 1439751

Please be informed that the data shown in this PDF Document is generated from our Online Catalog. Please find the complete data in the user's documentation. Our General Terms of Use for Downloads are valid (<http://phoenixcontact.com/download>)




M12 sealing cap for unoccupied M12 plugs of the sensor/actuator cable, flush-type plugs and I/O devices in the field

### Your advantages

- Sealing caps with external or inner thread
- Printed or unprinted marking labels

### Key Commercial Data

|                        |   |
|------------------------|---|
| Packing unit           | 100 pc  |
| Minimum order quantity | 100 pc  |
| GTIN                   | <br>4 046356 466813 |
| GTIN                   | 4046356466813   |

### Technical data

#### Ambient conditions

|                                 |                  |
|---------------------------------|------------------|
| Ambient temperature (operation) | -40 °C ... 90 °C |
| Degree of protection            | IP67             |

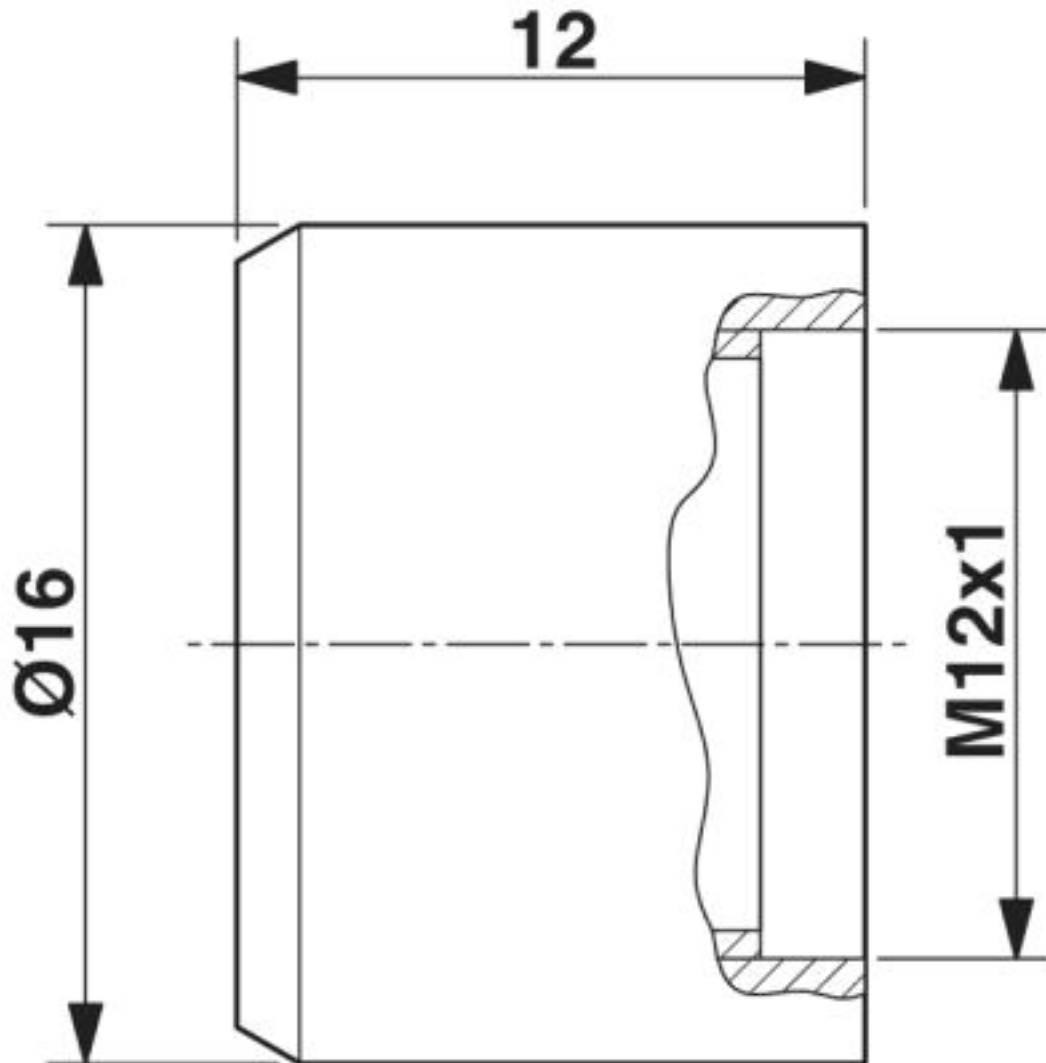
#### Material

|                       |      |
|-----------------------|------|
| Material of grip body | PA 6 |
| Sealing material      | NBR  |

### Drawings

## Sealing cap - PROT-M12 FS VPE100 - 1439751

Dimensional drawing



Phoenix Contact 2019 © - all rights reserved  
<http://www.phoenixcontact.com>

PHOENIX CONTACT GmbH & Co. KG  
Flachsmarktstr. 8  
32825 Blomberg  
Germany  
Tel. +49 5235 300  
Fax +49 5235 3 41200  
<http://www.phoenixcontact.com>