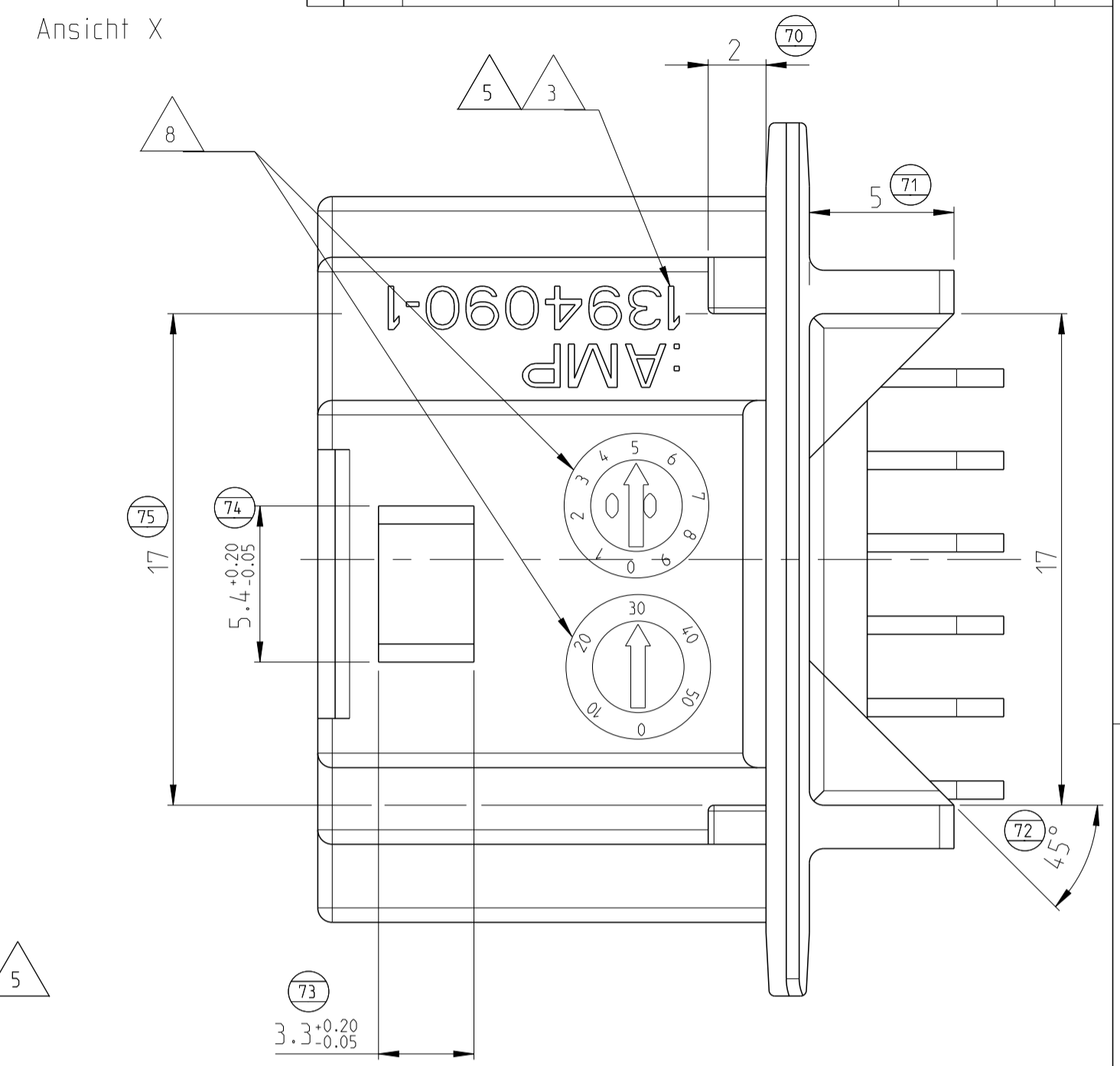
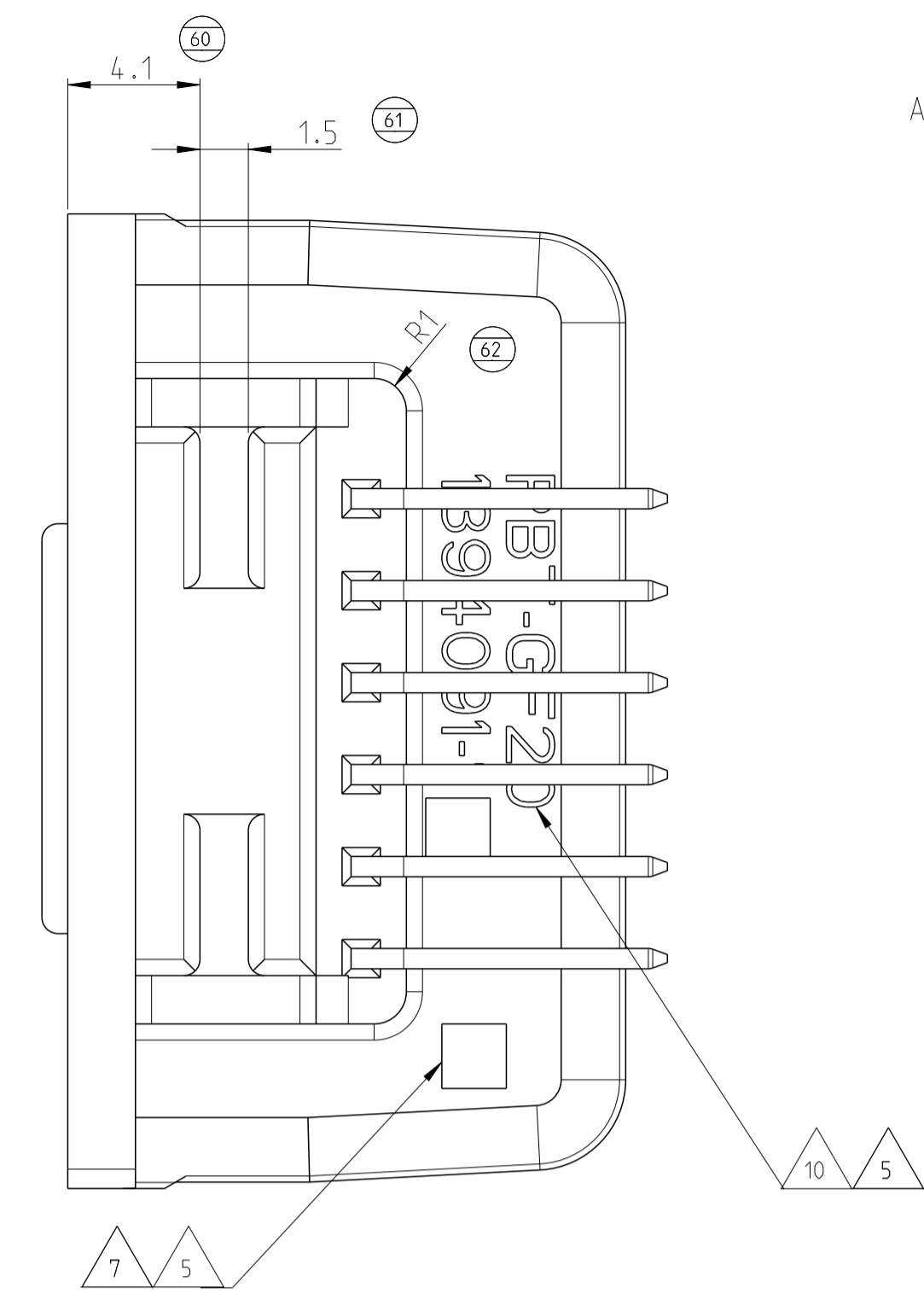
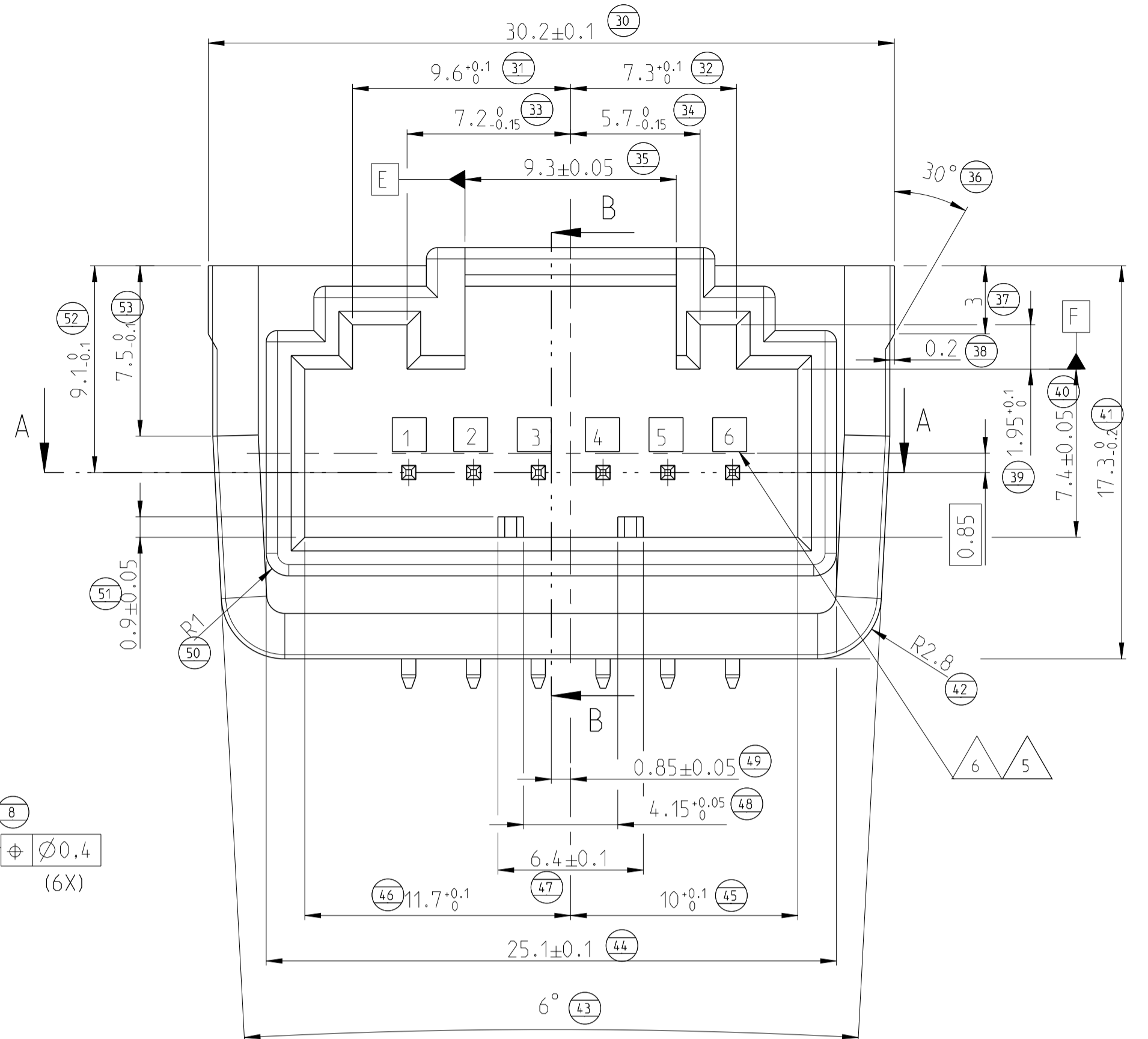
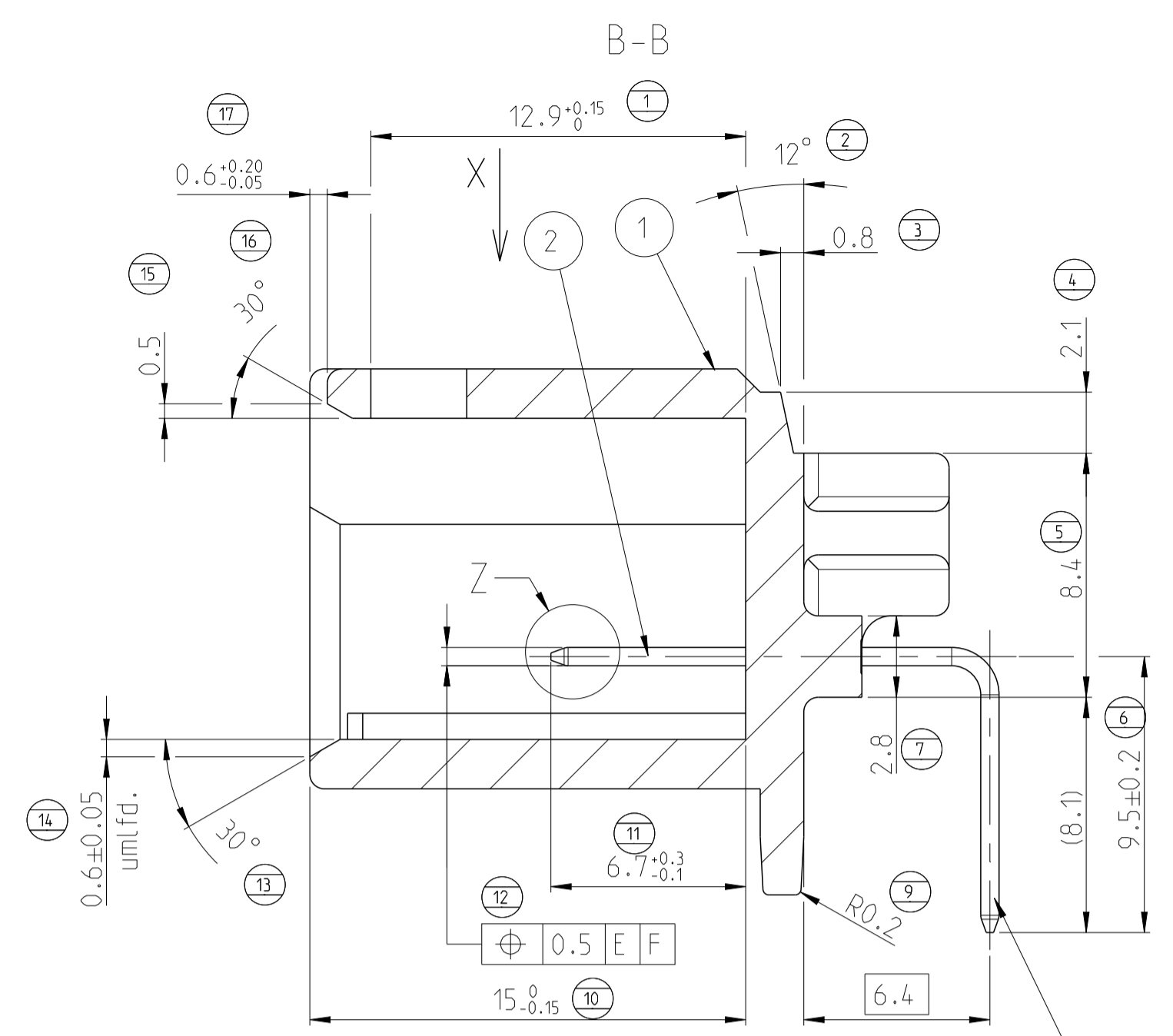
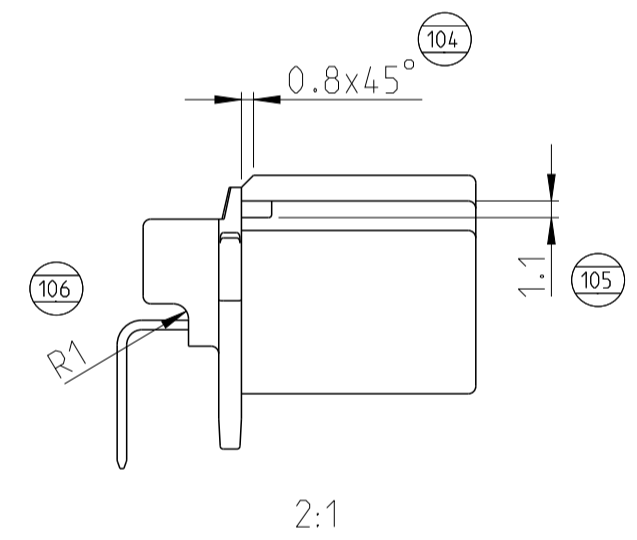
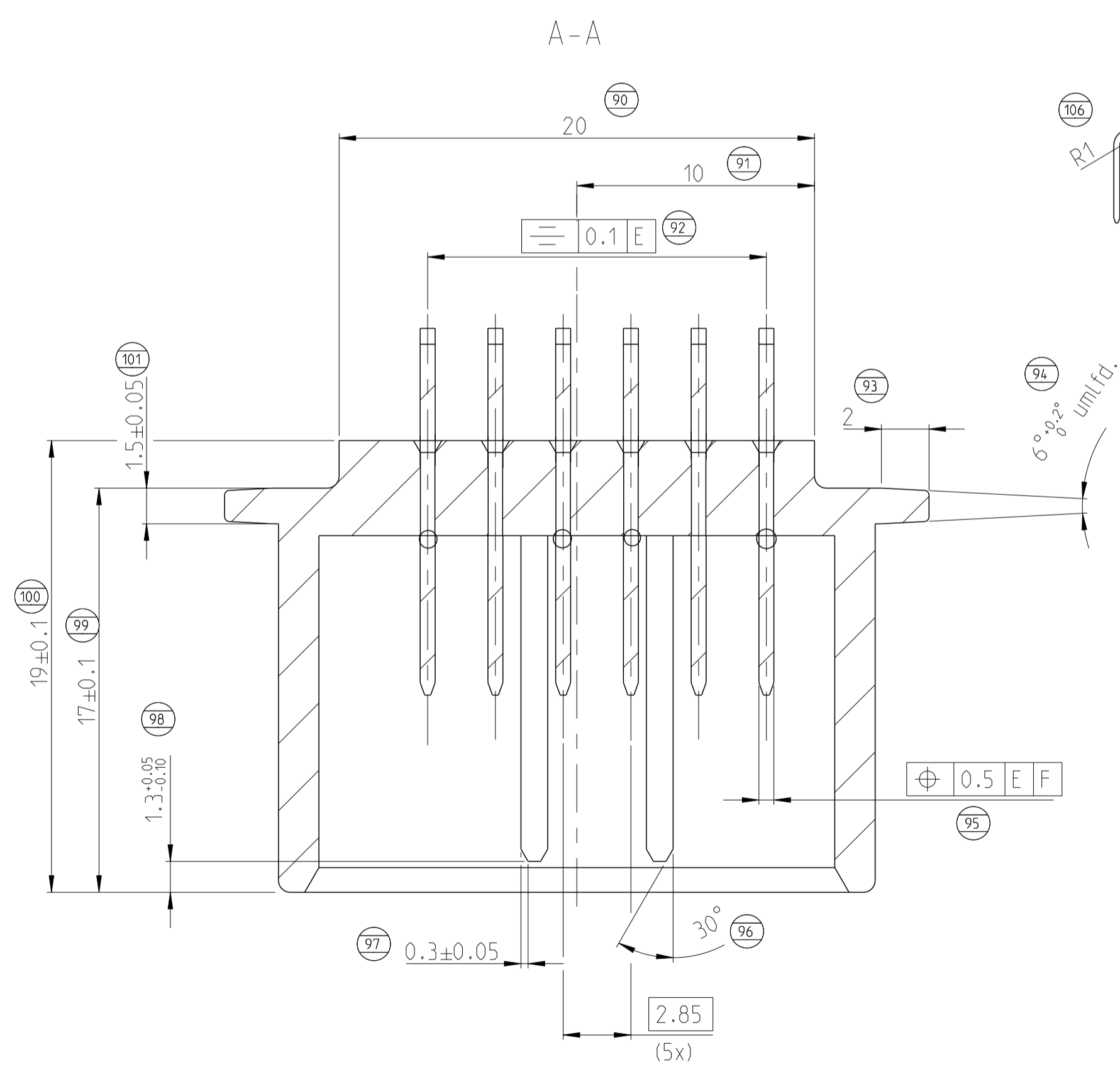
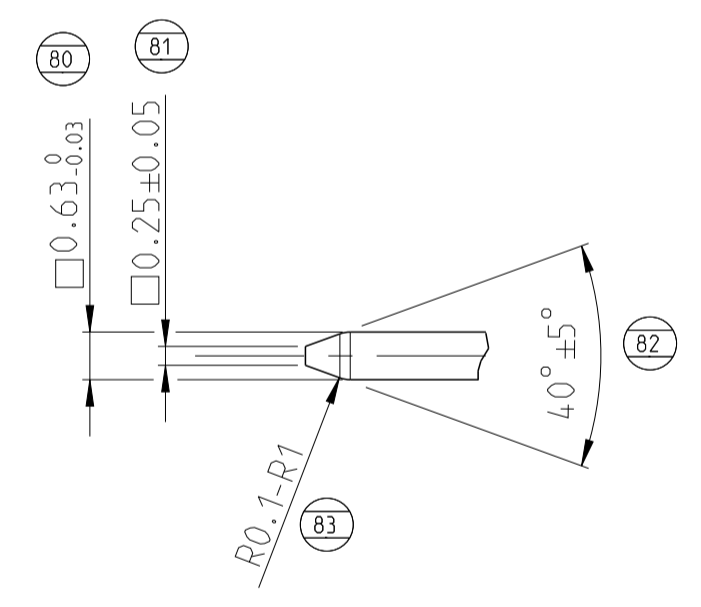


| REVISIONS | | | | |
|-----------|-----|--------------------|-----------|--------|
| P. | LTH | DESCRIPTION | DATE | APVD |
| A | | NEW DRAWING | 06MAY2016 | VGP SR |
| A1 | | DIMENSION ID ADDED | 24MAY2016 | VGP SR |

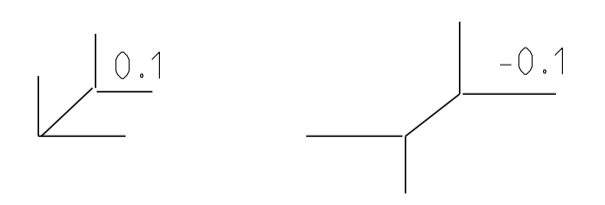


Z
10:1



Bemerkungen
NOTES

1. Nicht bemaste Radien 0.5
RADI NOT SPECIFIED 0.5
2. unbemaste Wandstaerke 1.7 +0.1mm
WALL THICKNESS 1.7 +0.1mm UNLESS OTHERWISE SPECIFIED
- 3 AMP-Zeichen und Nummer
AMP-TRADE MARK AND NUMBER
- 4 -
- 5 Mittelschrift (DIN 1451) Schrifthoehe 1.5 ; 0.3 vertieft
LETTERS: MEDIUM SIZE 1.5 DIN 1451 ; DEEP 0.3
- 6 Kammernummern
CAVITY NUMBERS
- 7 Nestmarkierung
MOULD IDENTIFICATION
- 8 Produktionsdatumer
PRODUCTION DATE CLOCK
9. Kontakstiftthaltekraft F >= 30N
PIN RETENTION FORCE F >= 30N
- 10 Materialkennzeichnung
MATERIAL IDENTIFICATION
- 11 1 - 3µm Sn ueber 1.3 - 2.2µm Ni
1 - 3µm Sn ueber 1.3 - 2.2 µm Ni
12. passend zu PN 1241130-1 (VW) oder 1355082-1 (neutral)
MATED WITH PN 1241130-1 (VW) OR 1355082-1



| | | | | | | | | | |
|--|--|--|--|---------------------------|--|--------------------------|--|---|--|
| THIS DRAWING IS A CONTROLLED DOCUMENT. | | DWN: V. G. Patil 06MAY2016 | | CHK: S. Reichel 09MAY2016 | | APVD: - | | NAME: 6 POS. MQS PINHEADER 6 pol. MQS Stiftwanne | |
| DIMENSIONS: mm | | TOLERANCES UNLESS OTHERWISE SPECIFIED: DIN 16901-130 | | PRODUCT SPEC: - | | APPLICATION SPEC: - | | SIZE: A1 | |
| MATERIAL: SEE TABLE | | FINISH: SEE TABLE | | WEIGHT: - | | CUSTOMER DRAWING: - | | SCALE: 5:1 | |
| PART. NO: 1394090-1 | | COLOUR/FINISH: Schwarz | | MATERIAL: Cu Mg 0.1 | | DESCRIPTION: Kontakstift | | ITEM: 2 | |
| PART. NO: - | | COLOUR/FINISH: - | | MATERIAL: PBT GF20 | | DESCRIPTION: Gehaeuse | | ITEM: 1 | |