

TECHNICAL
 LISTED: UL & CSA
 RATED SUPPLY VOLTAGE: 120VAC
 RATED CURRENT: UP TO 15 AMPS
 RESET TYPE: MANUAL
 OPERATING FREQUENCY: 60 Hz
 TYPE: CLASS A
 GROUND TRIP CURRENT: 4-6 mA
 OVERLOAD CURRENT: 90 AMP 125 VAC
 INSULATION VOLTAGE: 1,500 VRMS - 1 MINUTE
 ENDURANCE OPERATIONS: 3000 OPERATIONS
 ENVIRONMENTAL RATING: RAINPROOF RATED

MATERIAL NO.	ENGINEERING NO.	DESCRIPTION
1301530140	20053W-2	20A. IN-LINE GFCI W/PLUG & BOX
1301530143	20053W-6	20A. IN-LINE GFCI W/PLUG & BOX
1301530223	130153-0223	20A. IN-LINE GFCI BOX, NO PLUG

FUNCTIONAL SYMBOLS FA = 0 FC = 0 FD = 0	THIS DRAWING CONTAINS INFORMATION THAT IS PROPRIETARY TO MOLEX ELECTRONIC TECHNOLOGIES, LLC AND SHOULD NOT BE USED WITHOUT WRITTEN PERMISSION		SCALE 1:1		CURRENT REV DESC: NEW SALES DRAWING CREATED		
	DIMENSION UNITS INCH		GENERAL TOLERANCES (UNLESS SPECIFIED)				
DIVISIONAL SYMBOLS	ANGULAR TOL ± °		EC NO: 690704				
	4 PLACES ±	DRWN: VBASUTHKARP 2021/12/29					
	3 PLACES ±	CHK'D: DNGUYEN62 2022/01/24					
	2 PLACES ±	APPR: HKNEELAND 2022/03/03					
	1 PLACE ±	INITIAL REVISION:					
0 PLACES ±	DRWN: VBASUTHKARP 2021/12/29		DRWING		SERIES		
DRAFT WHERE APPLICABLE MUST REMAIN WITHIN DIMENSIONS		THIRD ANGLE PROJECTION		D-SIZE		130153	
DOCUMENT NUMBER		DOC TYPE		DOC PART		REVISION	
1301530140		PSD		000		A	
MATERIAL NUMBER		CUSTOMER		SHEET NUMBER			
SEE TABLE		GENERAL MARKET		1 OF 1			

E

E

D

D

C

C

B

B

A

A

6

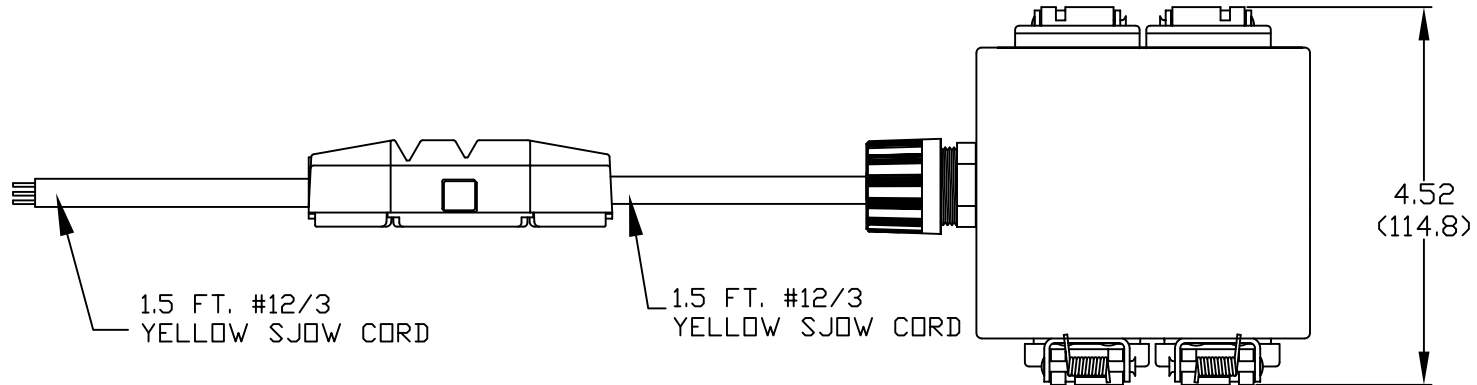
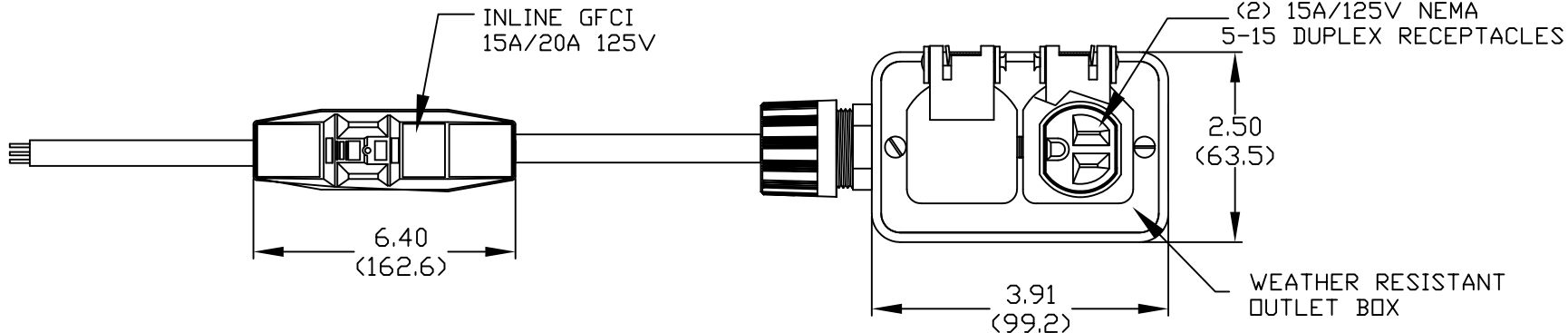
5

4

3

2

1



RELEASE DRAWING EC NO: WNA2010-0766 DRWN: TVICKERS 2010/05/14 CHKD: H.K. APPR: DTITUS 2010/07/08 REV: A	QUALITY SYMBOLS	GENERAL TOLERANCES (UNLESS SPECIFIED)		DIMENSION STYLE IN/MM		SCALE NTS	DESIGN UNITS INCH	THIRD ANGLE PROJECTION
	▽=0 ∇=0	4 PLACES	mm	INCH	DRAWN BY	DATE	TITLE WEATHER RESISTANT OUTLET BOX 1.5#12/3	
		3 PLACES	±---	±---	TVICKERS	2010/05/14		
		2 PLACES	±0.13	±.010	CHECKED BY	DATE	MOLEX INCORPORATED	
		1 PLACE	±0.25	±.020	H.K.	2010/05/14		
	ANGULAR ±.5°		DRAFT WHERE APPLICABLE MUST REMAIN WITHIN DIMENSIONS		APPROVED BY	DATE	DOCUMENT NO.	SHEET NO.
					DTITUS	2010/07/08	SD-130153-007	1 OF 1
					MATERIAL NO. 1301530223		THIS DRAWING CONTAINS INFORMATION THAT IS PROPRIETARY TO MOLEX INCORPORATED AND SHOULD NOT BE USED WITHOUT WRITTEN PERMISSION	

6

5

4

3

2

1