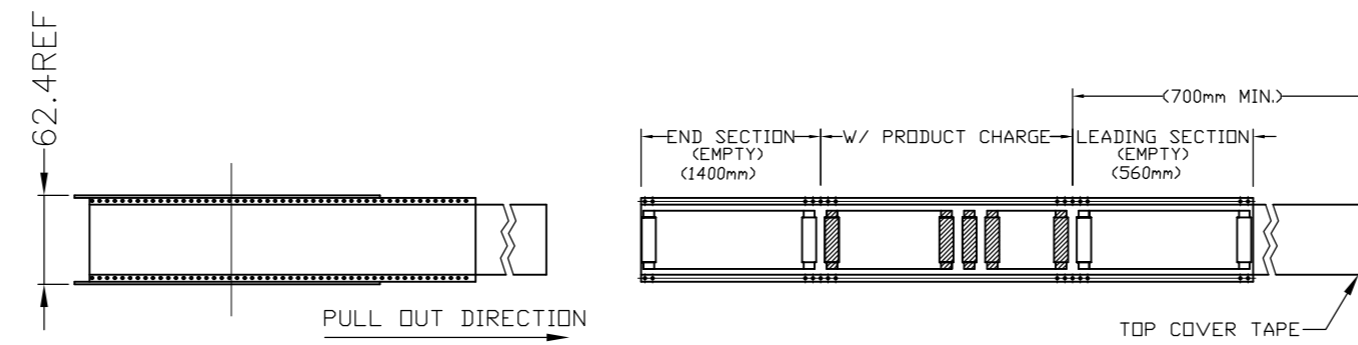
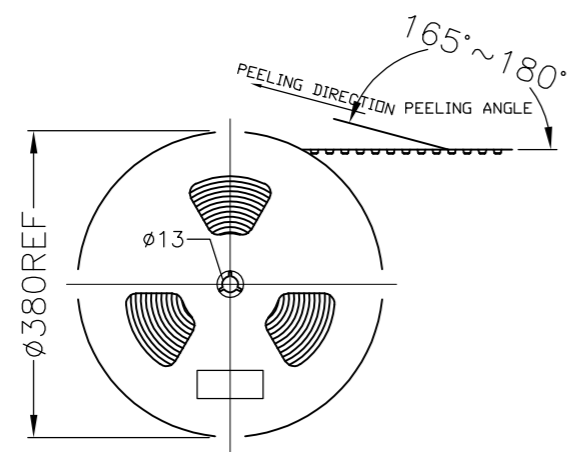
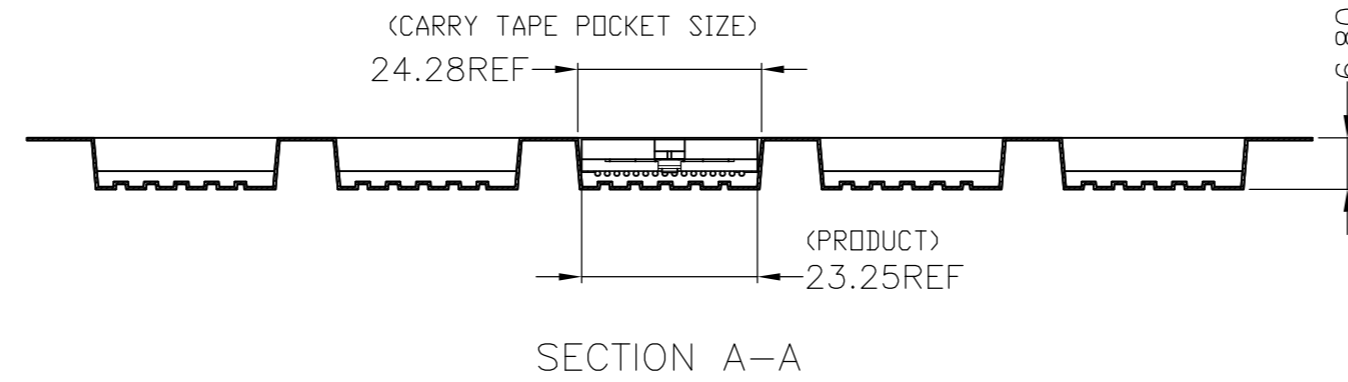
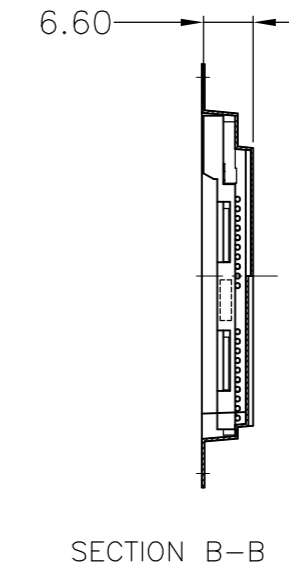
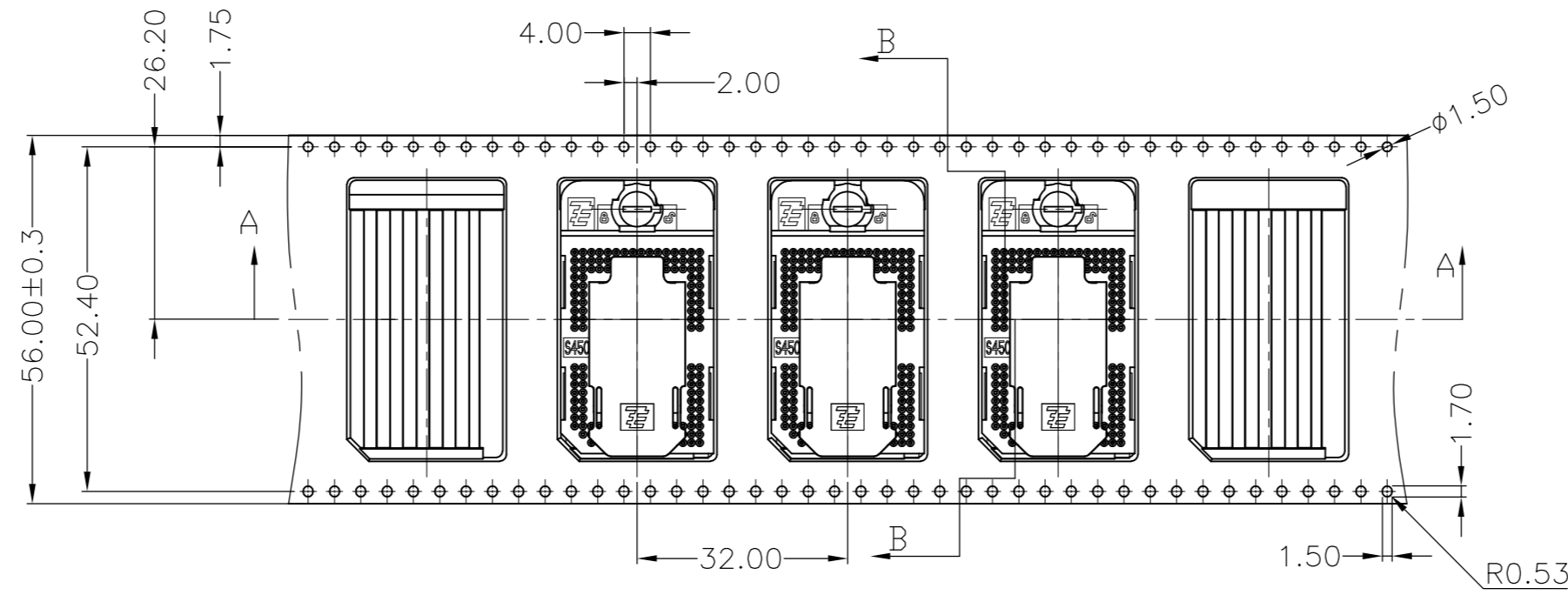


THIS DRAWING IS UNPUBLISHED. RELEASED FOR PUBLICATION
 © COPYRIGHT - By - ALL RIGHTS RESERVED.

LOC		DIST		REVISIONS			
P	LTR	DESCRIPTION		DATE	DWN	APVD	
B4		REVISED		21MAR2013	M.L	C.W	

TAPE & REEL PACKAGE:AS SHOWN



PRELIMINARY	1600	TAPE & REEL	Pb-FREE	400	0.25um	1-2069279-2
RELEASE	960	TRAY	Pb-FREE	24	0.25um	1-2069279-1
TOOLING STATUS	FINAL SHIPPING QTY PER CARTON BOX	PACKAGE TYPE	BALL TYPE	QTY PER PACKAGE	GOLD PL. TYPE	PART NO.

THIS DRAWING IS A CONTROLLED DOCUMENT.

DWN	C.DING	02JUL08
CHK	S.HASHIMOTO	02JUL08
APVD	H.SHIRAI	02JUL08
PRODUCT SPEC	108-115011	
APPLICATION SPEC		
TEST REPORT SPEC		

TE TE Connectivity

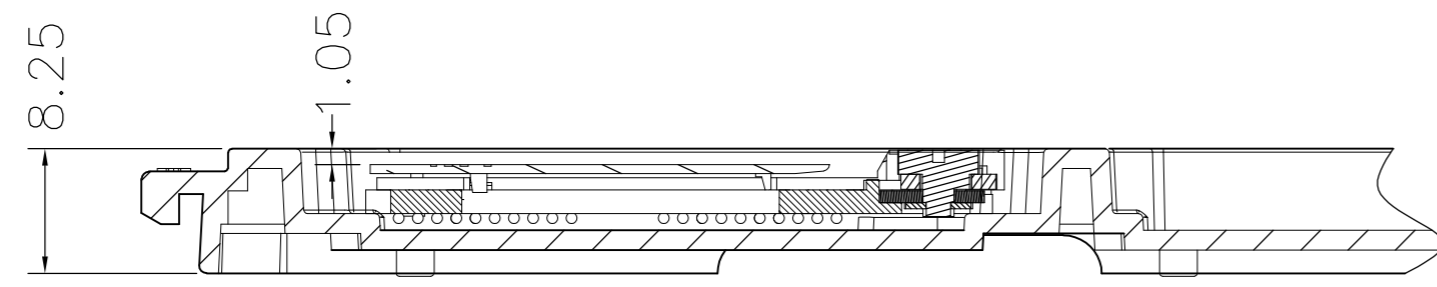
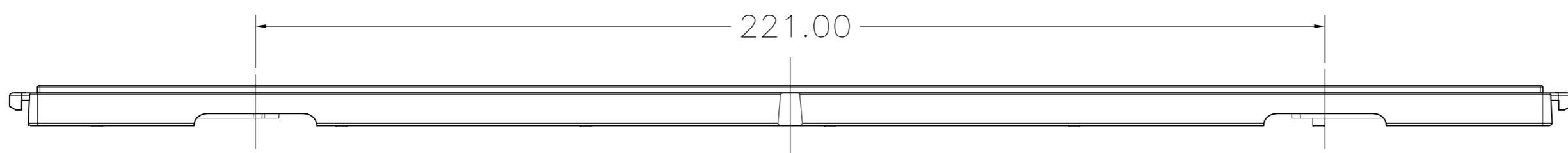
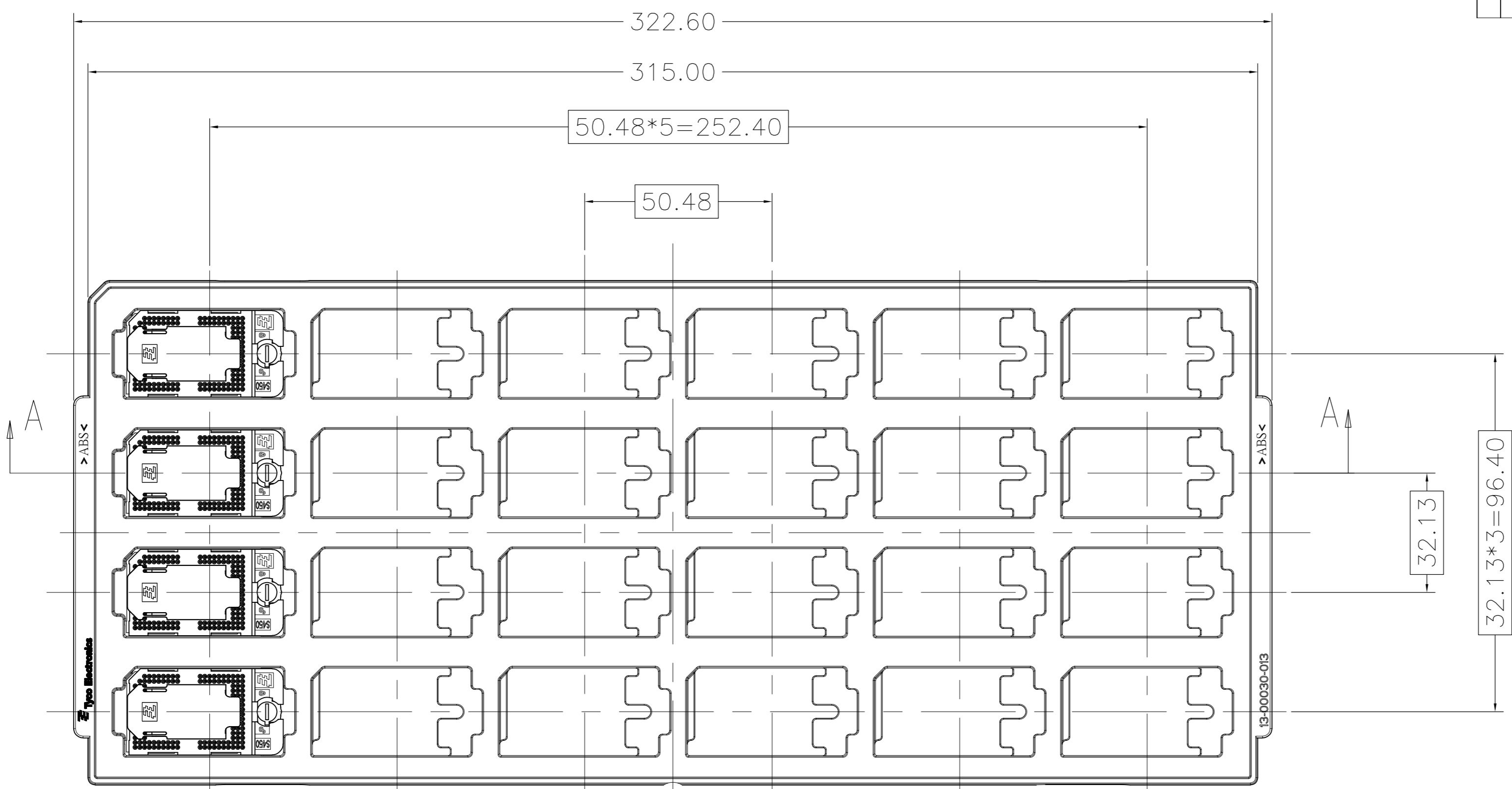
SOCKET ASS'Y WITH PACKAGE
DMD 450 SOCKET

SIZE	A2	CAGE CODE	00779	DRAWING NO	C=2069279	RESTRICTED TO	-
SCALE	4:1	SHEET	1 of 4	REV	B4		

CUSTOMER DRAWING

THIS DRAWING IS UNPUBLISHED. RELEASED FOR PUBLICATION
 © COPYRIGHT - By - ALL RIGHTS RESERVED.

LOC		DIST		REVISIONS			
P	LTR	DESCRIPTION	DATE	DWN	APVD		
-	-	SEE SHEET 1	-	-	-		



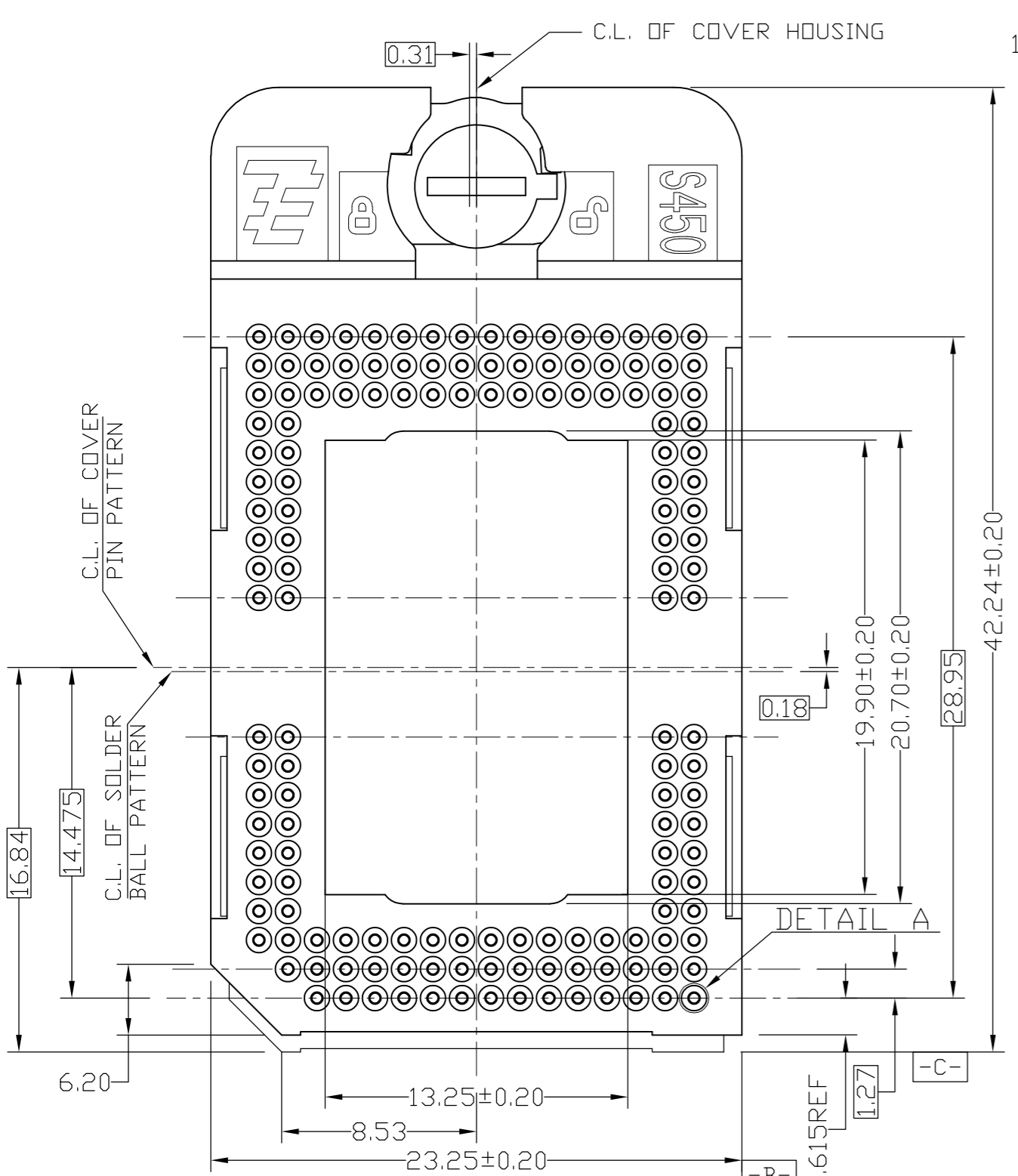
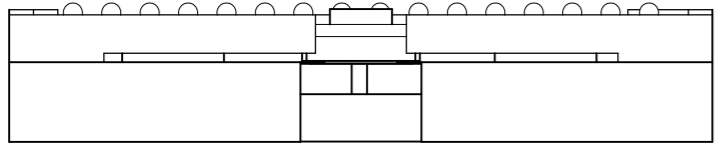
SECTION A-A

TRAY PACKAGE:AS SHOWN

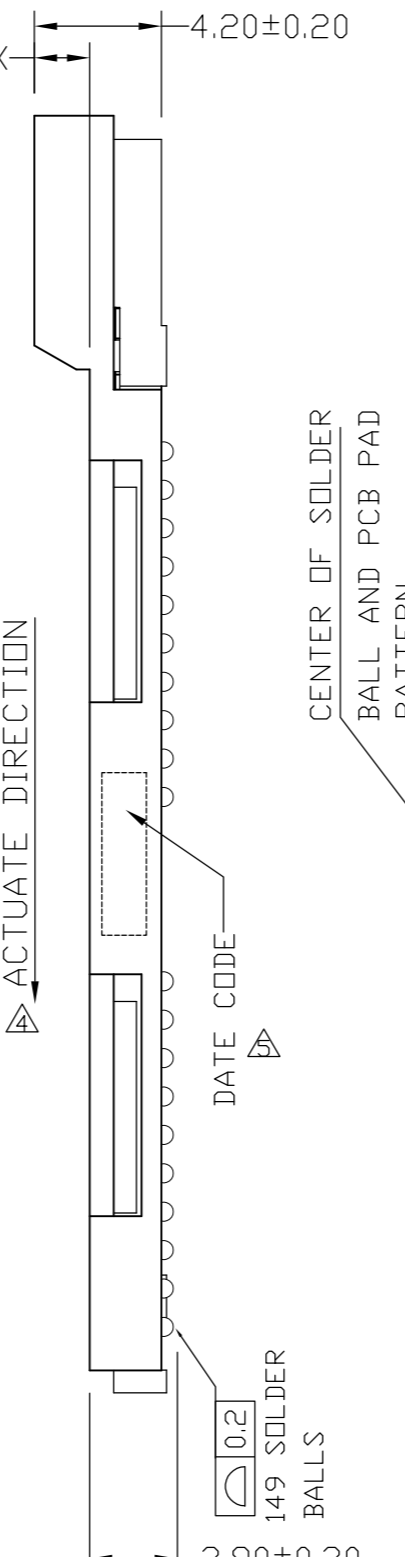
THIS DRAWING IS A CONTROLLED DOCUMENT.		DWN	C.DING	02JUL08		TE Connectivity			
DIMENSIONS: mm		CHK	S.HASHIMOTO	02JUL08		NAME			
TOLERANCES UNLESS OTHERWISE SPECIFIED:		APVD	H.SHIRAI	02JUL08		SOCKET ASS'Y WITH PACKAGE			
0 PLC ± 0.5 1 PLC ± 0.5 2 PLC ± 0.3 3 PLC ± - 4 PLC ± - ANGLES ± 3°		PRODUCT SPEC		DMD 450 SOCKET					
MATERIAL		APPLICATION SPEC		TEST REPORT SPEC		SIZE	CAGE CODE	DRAWING NO	RESTRICTED TO
1		2		108-115011		A2	00779	C=2069279	-
FINISH		WEIGHT		CUSTOMER DRAWING		SCALE	SHEET	REV	
		-				4:1	2 of 4	B4	

THIS DRAWING IS UNPUBLISHED. RELEASED FOR PUBLICATION
 © COPYRIGHT - By - ALL RIGHTS RESERVED.

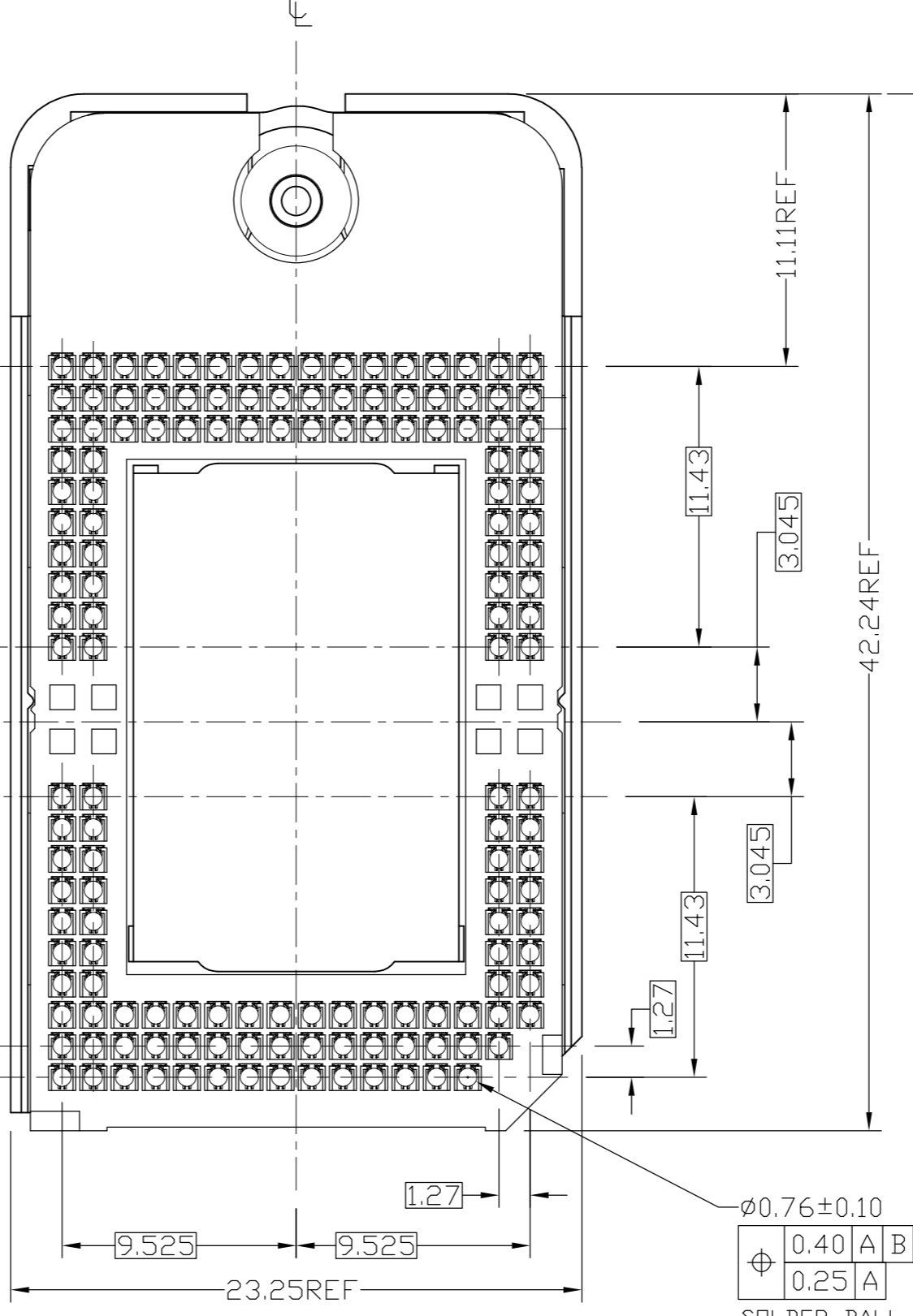
LOC		DIST		REVISIONS			
P	LTR	DESCRIPTION	DATE	DWN	APVD		
-	-	SEE SHEET 1	-	-	-		



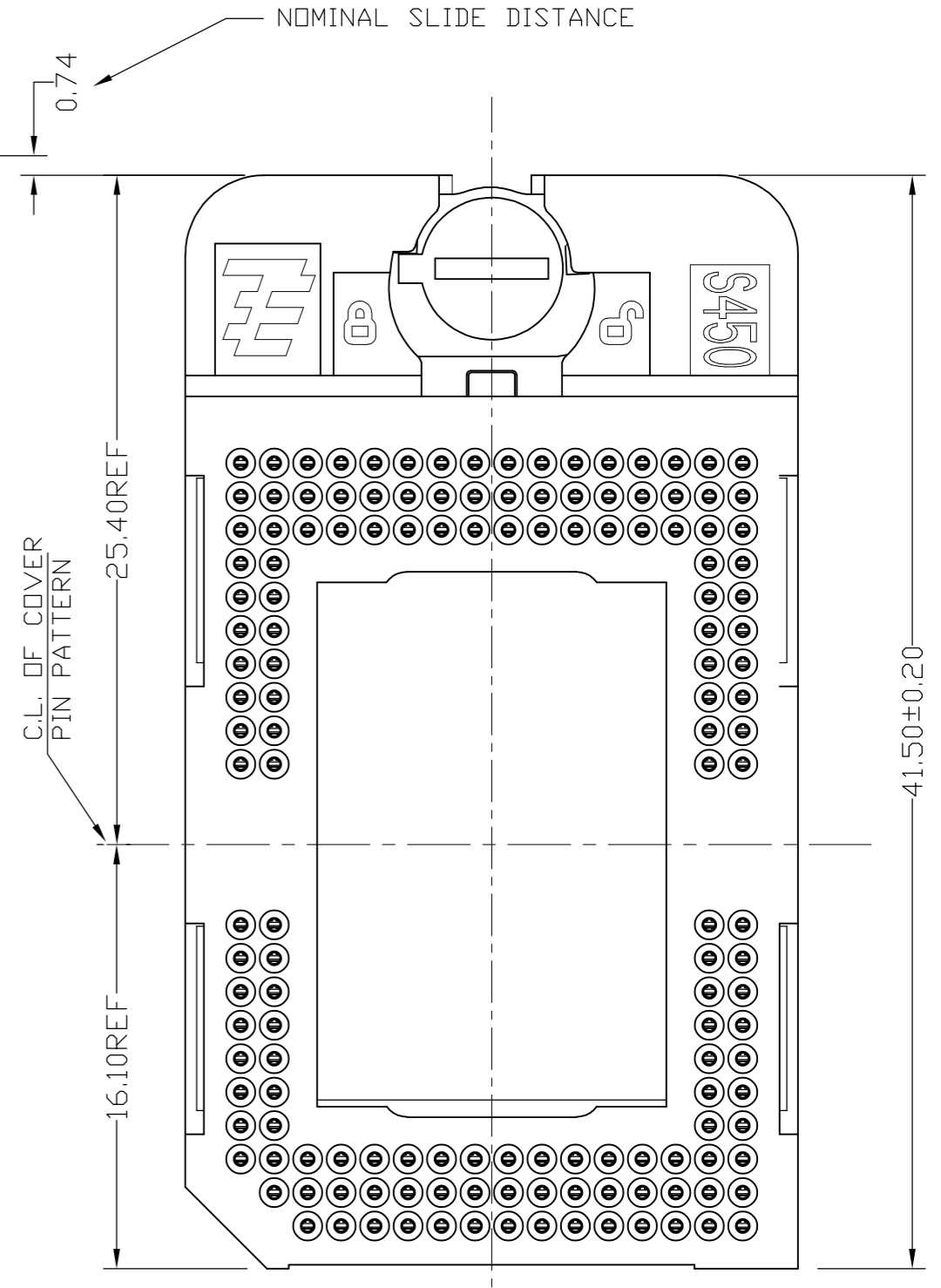
SHOW IN NON-ACTIVATED(OPEN) POSITION



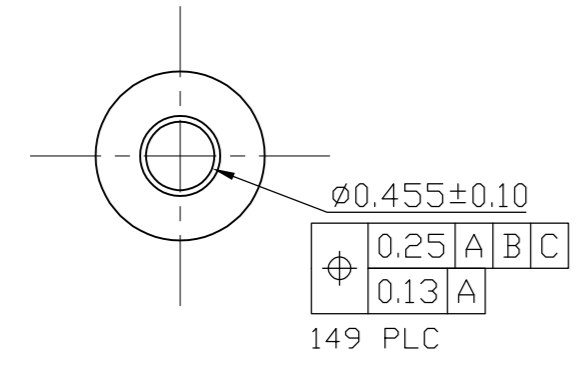
-A- BEFORE SOLDERING PROCESS, 2.70±0.20 AFTER SOLDERING PROCESS



SHOW IN NON-ACTIVATED(OPEN) POSITION



SHOW IN ACTIVATED(CLOSED) POSITION WITHOUT PACKAGE & PICK UP CAP

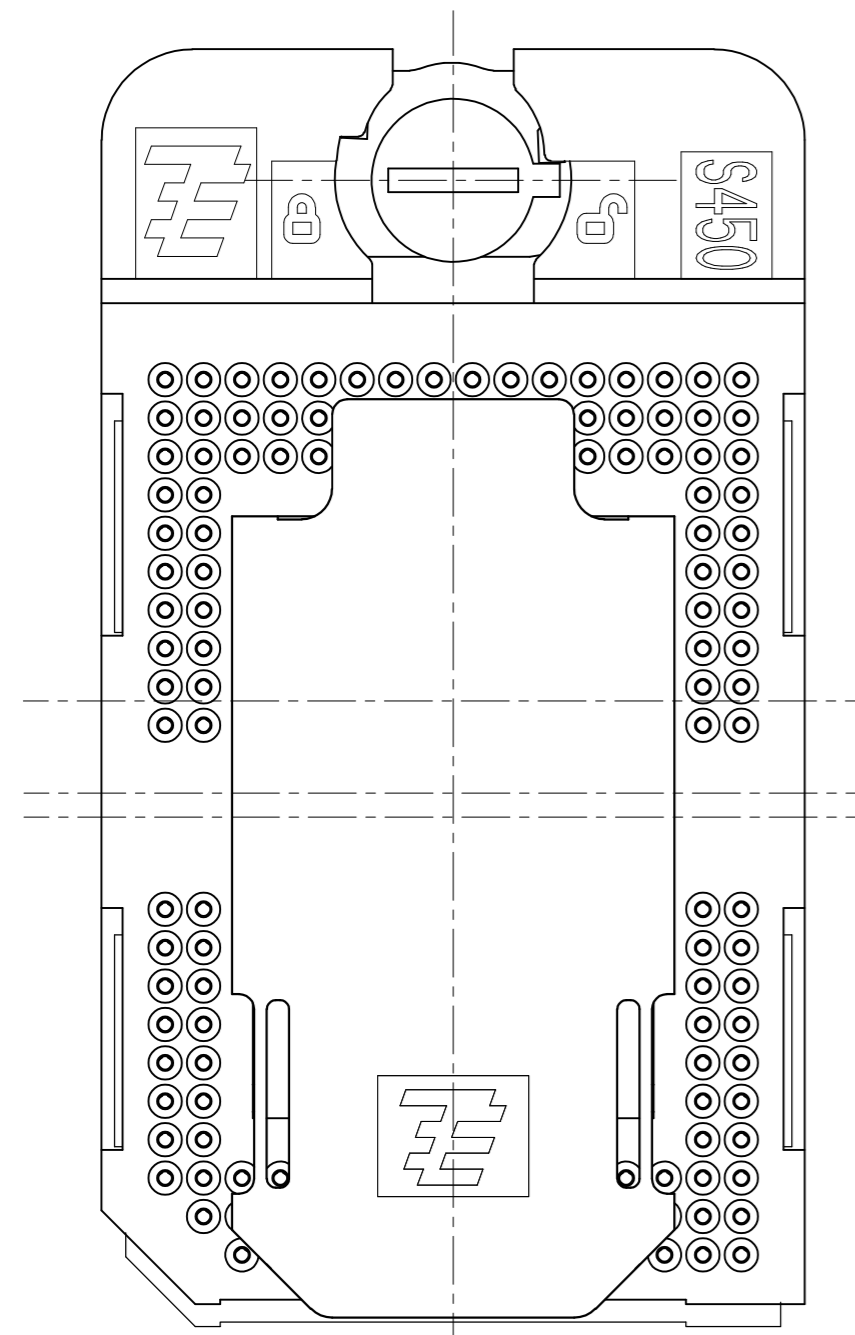


DETAIL A
SCALE 10:1

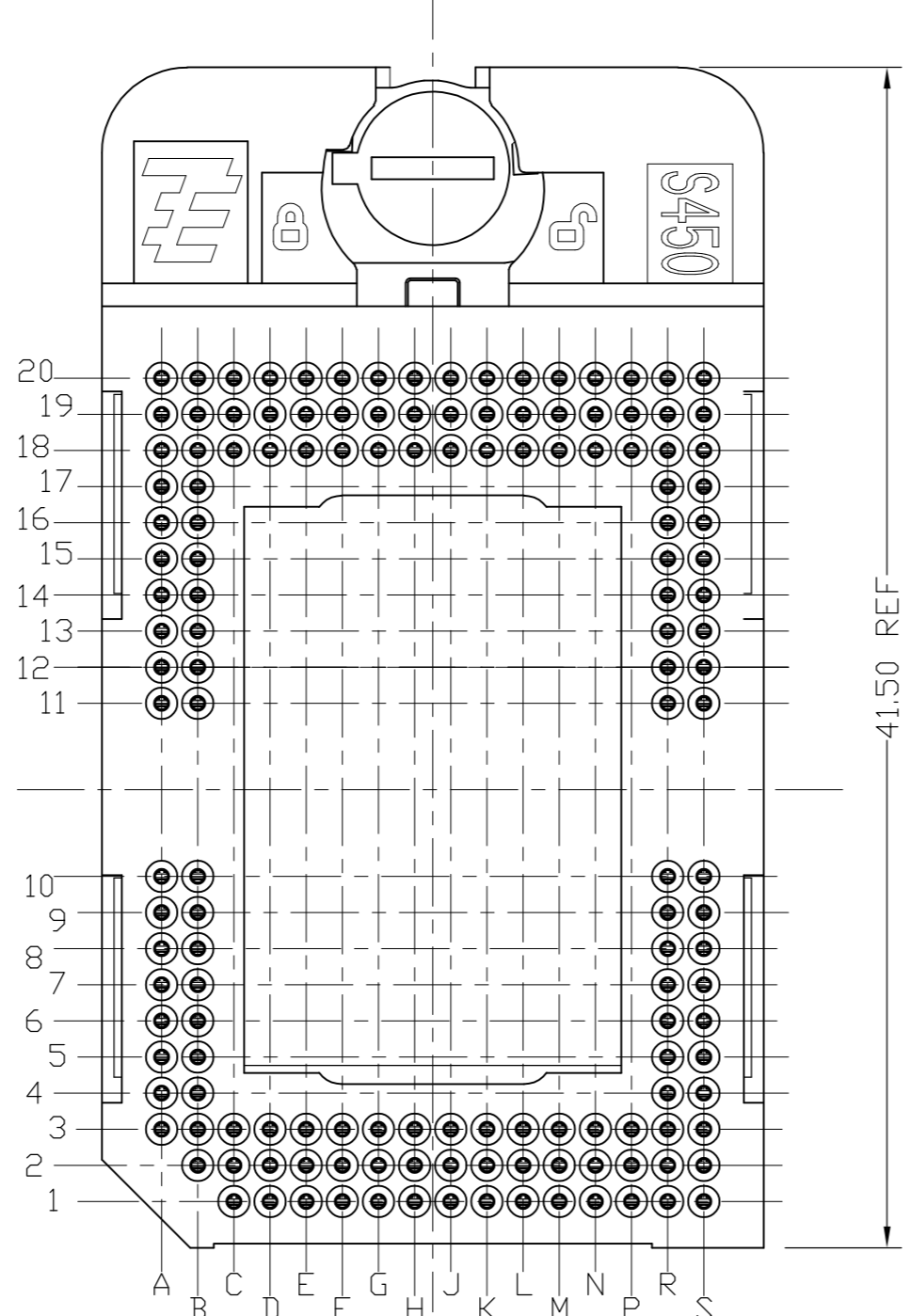
THIS DRAWING IS A CONTROLLED DOCUMENT.		DWN	TE Connectivity		
DIMENSIONS: mm		CHK	NAME		
TOLERANCES UNLESS OTHERWISE SPECIFIED:		APVD	SOCKET ASS'Y WITH PACKAGE DMD 450 SOCKET		
0 PLC ± 0.3		PRODUCT SPEC	SIZE	CAGE CODE	DRAWING NO
1 PLC ± 0.3		APPLICATION SPEC	A2	00779	C=2069279
2 PLC ± 0.3		WEIGHT	RESTRICTED TO		
3 PLC ± 0.3		CUSTOMER DRAWING	SCALE 4:1 SHEET 3 OF 4 REV B4		
4 PLC ± -					
ANGLES ± 3°					
FINISH					

THIS DRAWING IS UNPUBLISHED. RELEASED FOR PUBLICATION
 © COPYRIGHT - By - ALL RIGHTS RESERVED.

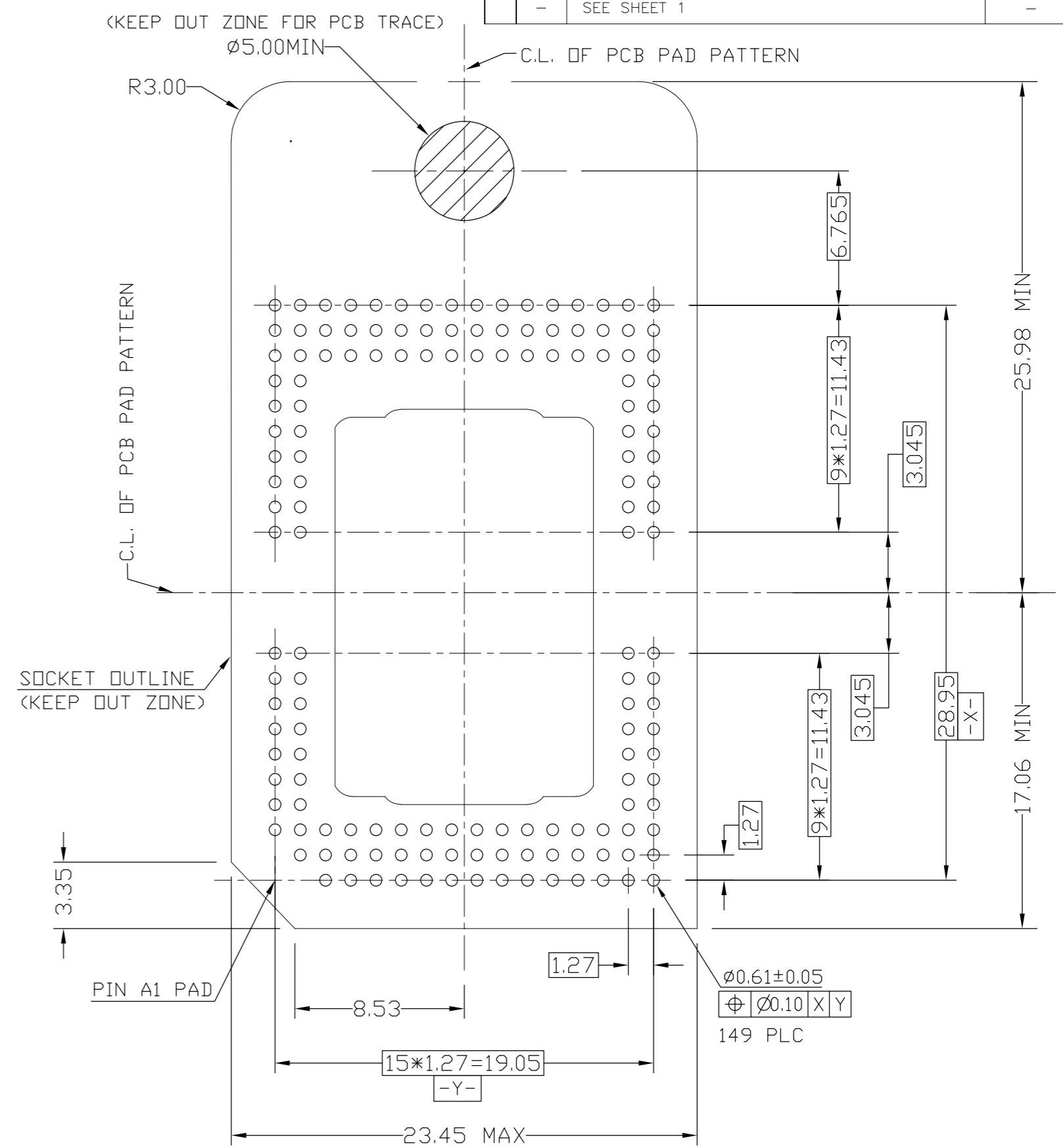
LOC	DIST	REVISIONS					
ES	-	P	LTR	DESCRIPTION	DATE	DWN	APVD
		-	-	SEE SHEET 1	-	-	-



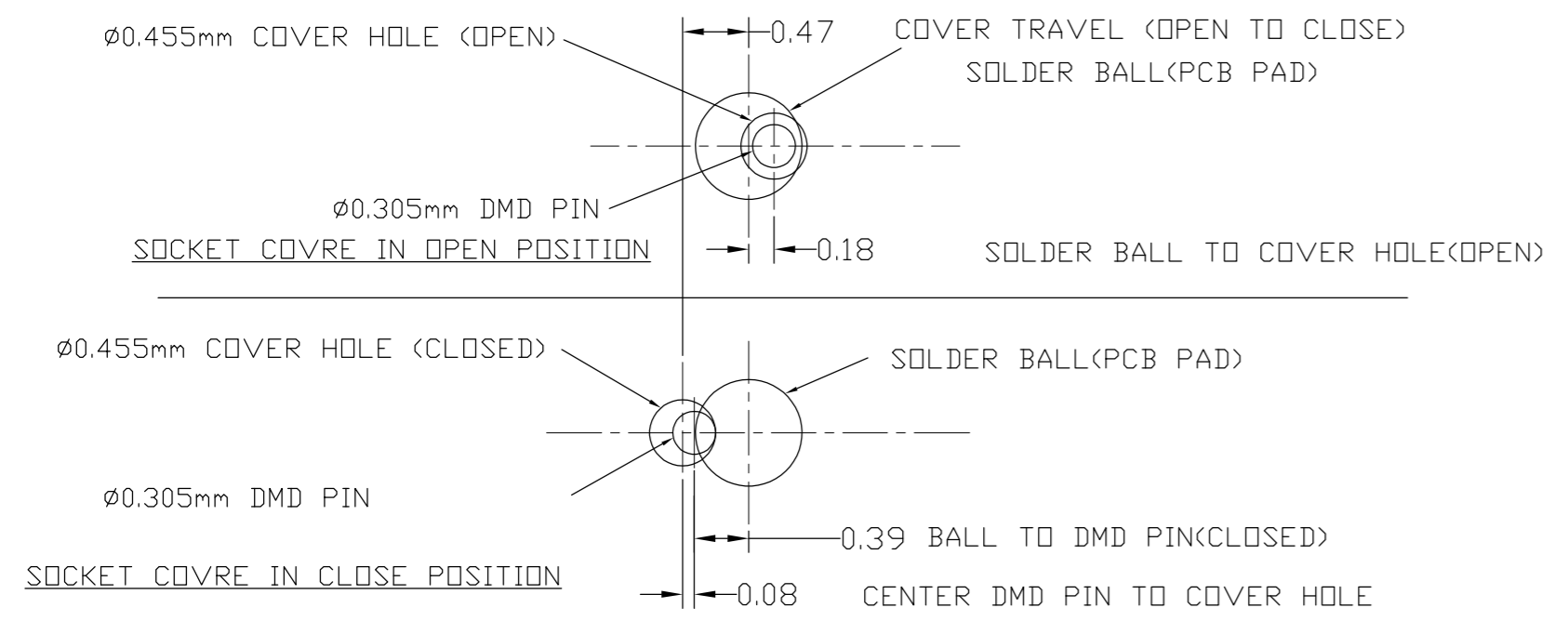
SHOW IN FINAL SHIPPING CONDITION
(SOCKET WITH PICK UP CAP TYPE)



SHOW IN ACTIVATED (CLOSED) POSITION
WITH CIRCUIT SYMBOLS



REFERENCE DIM. OF PC BOARD LAYOUT



SOCKET COVER & SOLDER BALL RELATED POSITION
ON OPEN & CLOSE POSITION (WITH CPU PACKAGE)

- NOTES:
- ⚠ MATERIAL:
 - COVER HOUSING:HIGH TEMPERATURE THERMO-PLASTIC UL94V-0,COLOR:WHITE
 - BASE HOUSING:HIGH TEMPERATURE THERMO-PLASTIC UL94V-0,COLOR:BLACK.
 - M-PGA-PICK UP CAP:HIGH TEMPERATURE THERMO-PLASTIC UL94V-0,COLOR:BLACK.
 - CONTACT:COPPER ALLOY
 - COVER SUPPORT PLATE:STAINLESS STEEL.
 - BASE SUPPORT PLATE:STAINLESS STEEL.
 - CAM:STAINLESS STEEL.
 - WASHER:STAINLESS STEEL.
 - SOLDER BALL:(Sn-Ag-Cu(Pb FREE)),SPHERE:Ø0.76±0.02mm.
 - ⚠ FINISH:
 - GOLD PLATING AT PLATING AREA.
 - 3. USER INTERFACE
 - A) FLAT HEAD SCREW DRIVER TO ACTUATE
 - B) CLOCKWISE TO "LOCK",COUNTER-CLOCKWISE TO "OPEN"
 - C) 180 DEGREE BETWEEN "LOCK" AND "OPEN"
 - ⚠ ACTUATION DIRECTION AS SHOWN.
 - ⚠ DATE CODE AREA

THIS DRAWING IS A CONTROLLED DOCUMENT.		DWN	-			NAME			
DIMENSIONS:		CHK	-			SOCKET ASS'Y WITH PACKAGE		RESTRICTED TO	
mm		APVD	-			DMD 450 SOCKET		-	
TOLERANCES UNLESS OTHERWISE SPECIFIED:		PRODUCT SPEC	-			-		-	
0 PLC ± 0.3		APPLICATION SPEC	-	SIZE	CAGE CODE	DRAWING NO	RESTRICTED TO		
1 PLC ± 0.3		WEIGHT	-	A2	00779	C=2069279	-		
2 PLC ± 0.3		CUSTOMER DRAWING		SCALE	4:1	SHEET	4 OF 4		
3 PLC ± 0.3				REV	B4				
4 PLC ± -									
ANGLES ± 3°									
FINISH									