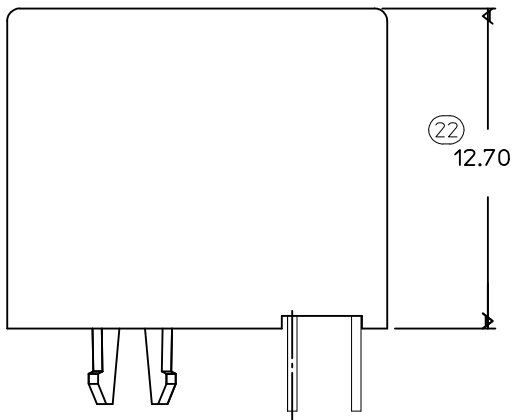


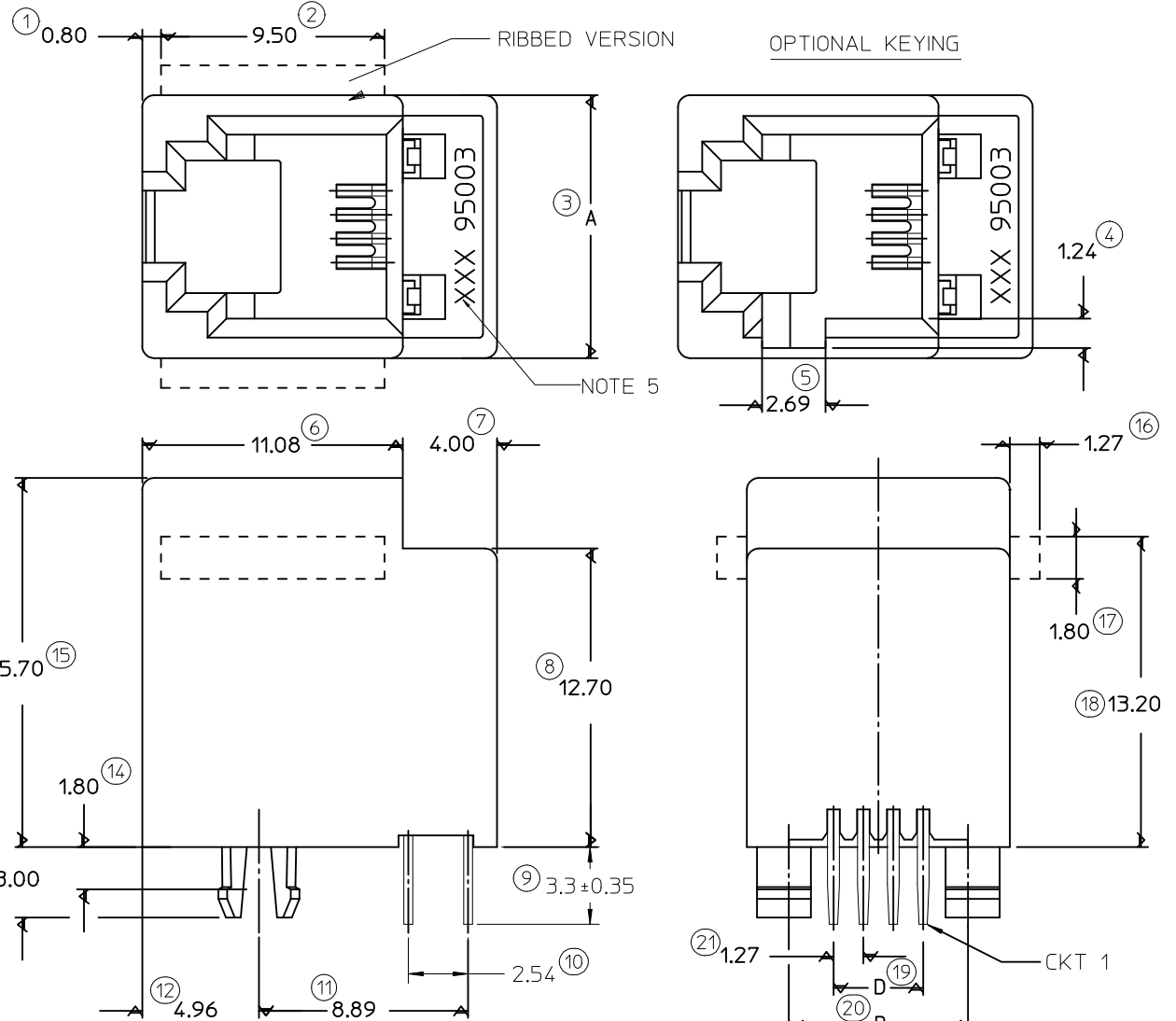
**NOTES :**

- 1- MATERIAL:  
 -HOUSING: LCP FIBER GLASS FILLED UL 94-V0  
 COLOR BLACK.  
 -TERMINAL: COPPER ALLOY  
 PLATING 2:  
 POST PLATE 0.00127-0.00152 GOLD IN CONTACT AREA. 0.00190 MIN. PURE TIN IN TAIL AREA BOTH OVER 0.00127 MIN. NICKEL OVERALL.  
 PLATING 6:  
 POST PLATE 0.00005 MIN GOLD FLASH OVER 0.00100 MIN PALLADIUM-NICKEL IN CONTACT AREA. 0.00190 MIN PURE TIN IN TAIL AREA. BOTH OVER 0.00127 MIN NICKEL OVERALL.
- 2- JACK FOR MATING WITH F.C.C. 68 PLUGS 90075 MOLEX SERIES.  
 3. P.C.B. THICKNESS: 1.57  
 4- PRODUCT SPECIFICATION PS-95503-001  
 5- PACKAGING SPECIFICATION:  
 - STANDARD PACKAGING PK-95003 SHEET 1.  
 - TUBE PACKAGING FOR SMT VERSION PK-95003 SHEET 2.  
 - TUBE PACKAGING FOR THROUGH HOLE VERSION PK-95003 SHEET 3.  
 - TAPE AND REEL PACKAGING FOR THROUGH HOLE PK-95503-001.  
 6- MANUFACTURING I.D. CAN BE MXF, MG OR MXI.  
 INSPECTION NUMBERS USED: 1 - 50  
 LAST INSPECTION NUMBER: 22

TYPE \ DIM.	POS. 4	POS. 6		POS. 8
	4 CKTS.	4 CKTS.	6 CKTS.	8 CKTS.
A	11.18	13.21	13.21	15.24
B	7.62	10.16	10.16	11.43
D	3.81	3.81	6.35	8.89



SHORT VERSION



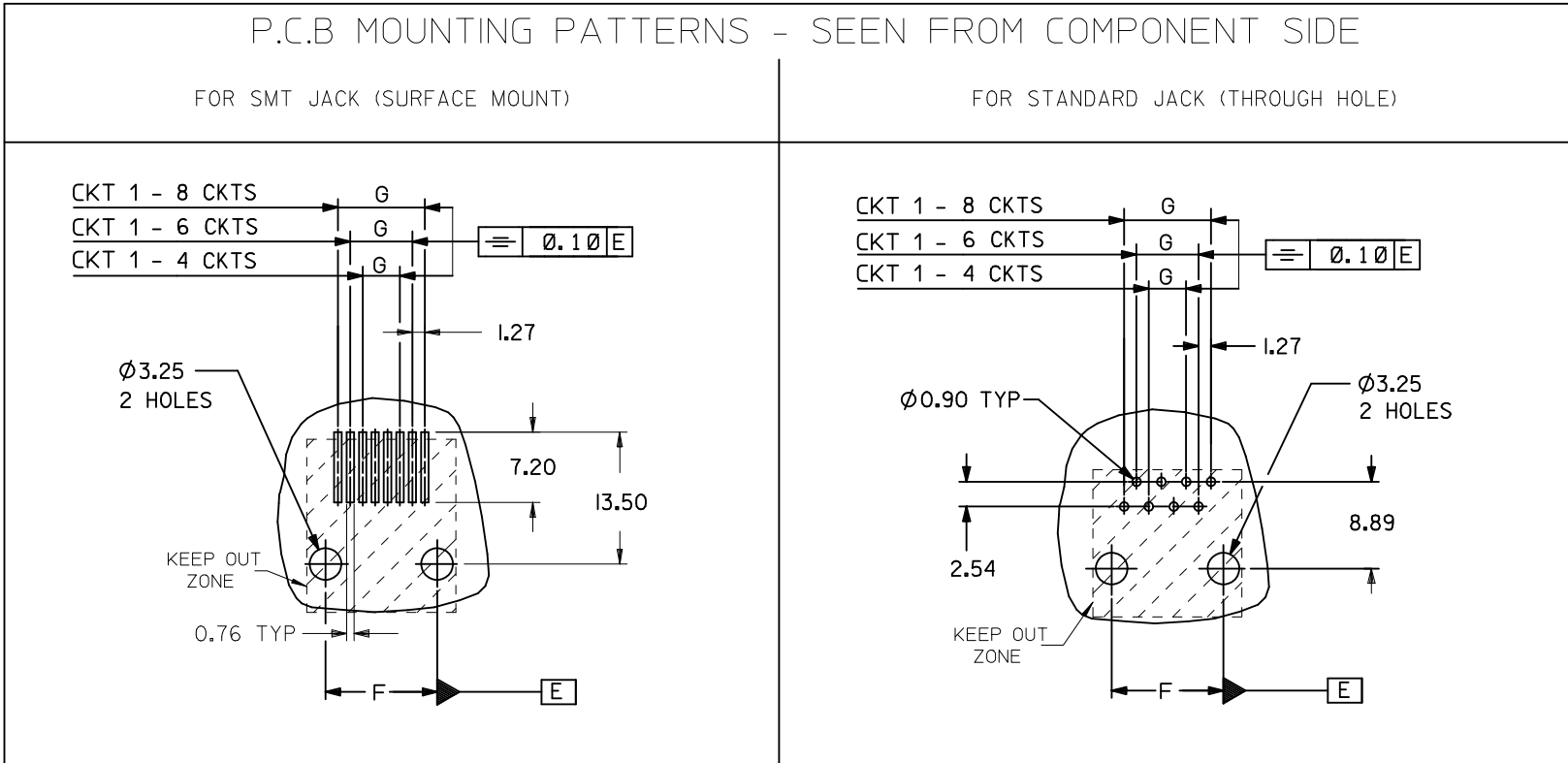
<b>MODIFIED PLATING OPTION</b> EC NO: E2012-0079 DRWN: JOCONNOR 2011/03/04 CHKD: APPR: EFOLAN 2011/09/28	QUALITY SYMBOLS ▽=0 ◻=0	GENERAL TOLERANCES (UNLESS SPECIFIED) mm INCH 4 PLACES ± --- ± --- 3 PLACES ± --- ± --- 2 PLACES ± 0.15 ± --- 1 PLACE ± 0.25 ± --- ANGULAR ± .5 °	DIMENSION STYLE MM ONLY DRAWN BY: TMARTIN DATE: 2005/06/15 CHECKED BY: FCARABETTA DATE: 2005/06/15 APPROVED BY: KNOLLER DATE: 2005/06/15	SCALE 5:1 DESIGN UNITS METRIC THIRD ANGLE PROJECTION	TITLE LOW PROFILE TOP ENTRY JACK (THROUGH HOLE VERSION) MOLEX INCORPORATED
	DRAFT WHERE APPLICABLE MUST REMAIN WITHIN DIMENSIONS	MATERIAL NO. SEE SHT 4,5	DOCUMENT NO. SD-95503-003	SHEET NO. 1 OF 5	
	SIZE A3	THIS DRAWING CONTAINS INFORMATION THAT IS PROPRIETARY TO MOLEX INCORPORATED AND SHOULD NOT BE USED WITHOUT WRITTEN PERMISSION			

TYPE DIM.	POS. 4	POS. 6		POS. 8
	4 CKTS.	4 CKTS.	6 CKTS.	8 CKTS.
F ±0.05	7.62	10.16	10.16	11.43
G ±0.05	3.81	3.81	6.35	8.89

P.C.B MOUNTING PATTERNS - SEEN FROM COMPONENT SIDE

FOR SMT JACK (SURFACE MOUNT)

FOR STANDARD JACK (THROUGH HOLE)



NOTES:  
ALL DIMENSIONS REF DIMENSIONS

REMOVED INCHES EC NO: E2012-0079 DRWN: JCONNOR 2011/03/04 CHKD: APPR: EFOLAN 2011/09/28	QUALITY SYMBOLS	GENERAL TOLERANCES (UNLESS SPECIFIED)	DIMENSION STYLE	SCALE	DESIGN UNITS	THIRD ANGLE PROJECTION
	▽=0 Ⓢ=0	mm INCH 4 PLACES ± --- ± --- 3 PLACES ± --- ± --- 2 PLACES ± 0.15 ± --- 1 PLACE ± 0.25 ± --- ANGULAR ± .5 °	MM ONLY	1:1	METRIC	
	DRAWN BY: TMARTIN CHECKED BY: FCARABETTA APPROVED BY: KNOLLER	DATE: 2005/06/15 DATE: 2005/06/15 DATE: 2005/06/15	TITLE: LOW PROFILE T/E JACK			
	MATERIAL NO. SEE SHT. 4, 5 SIZE: A3	DOCUMENT NO. SD-95503-003 SHEET NO. 3 OF 5	MOLEX INCORPORATED			
DRAFT WHERE APPLICABLE MUST REMAIN WITHIN DIMENSIONS THIS DRAWING CONTAINS INFORMATION THAT IS PROPRIETARY TO MOLEX INCORPORATED AND SHOULD NOT BE USED WITHOUT WRITTEN PERMISSION						

HOUSING SIZE	LOADED CONTACTS	PLATING
4	4	2
		6
6	4	2
		6
6	6	2
		6
8	8	2
		6

PART NO FOR JACK ASSEMBLY  
THROUGH HOLE STANDARD VERSION

LCP FIBER GLASS FILLED 94V0 COLOR BLACK					
NO KEY	TOOLED	KEY	TOOLED		TOOLED
NO RIB	TOOLED	NO RIB	TOOLED		TOOLED
95503-2441	X				
95503-7441	X				
95503-2641	X				
95503-7641	X				
95503-2661	X				
95503-7661	X				
95503-2881	X	95503-2882	X		
95503-7781	X	95503-7882	X		

TRAY PACKAGING  
SEE PACKAGING SPEC PK-95003 SHEET 1

PART NO FOR JACK ASSEMBLY  
THROUGH HOLE STANDARD VERSION

LCP FIBER GLASS FILLED 94V0 COLOR BLACK					
NO KEY	TOOLED	KEY	TOOLED		TOOLED
NO RIB	TOOLED	NO RIB	TOOLED		TOOLED
95503-2440	X				
95503-7440	X				
95503-2640					
95503-7640					
95503-2660					
95503-7660					
95503-2880	X				
95503-7880	X				

TAPE AND REEL PACKAGING  
SEE PACKAGING SPEC PK-95503 SHEET 1

PART NO FOR JACK ASSEMBLY  
THROUGH HOLE SHORT VERSION

LCP FIBER GLASS FILLED 94V0 COLOR BLACK					
NO KEY	TOOLED	KEY	TOOLED		TOOLED
NO RIB	TOOLED	NO RIB	TOOLED		TOOLED
95503-2884	X				
95503-7884	X				

TRAY PACKAGING  
SEE PACKAGING SPEC PK-95003 SHEET 1

TOOLED	X
NOT TOOLED	

NOTES:  
PLATING: SEE SHEET ONE

ADDED PLATING OPTION EC NO: E2012-0092 DRWN: JCONNOR 2011/09/28 CHKD: APPR: EFOLAN 2011/10/13 REV DESCRIPTION	QUALITY SYMBOLS	GENERAL TOLERANCES (UNLESS SPECIFIED) mm INCH 4 PLACES ± --- ± --- 3 PLACES ± --- ± --- 2 PLACES ± --- ± --- 1 PLACE ± --- ± --- ANGULAR ± ---° DRAFT WHERE APPLICABLE MUST REMAIN WITHIN DIMENSIONS	DIMENSION STYLE	SCALE	DESIGN UNITS	THIRD ANGLE PROJECTION	
			MM ONLY	---	METRIC		
				DRAWN BY	DATE	TITLE	
				TMARTIN	2005/06/16	LOW PROFILE T/E JACK THROUGH HOLE VERS.	
		CHECKED BY	DATE				
		FCARABETTA	2005/06/16				
		APPROVED BY	DATE				
		KNOLLER	2005/06/16				
		MATERIAL NO.		DOCUMENT NO.		SHEET NO.	
		SEE CHART		SD-95503-003		4 OF 5	
		SIZE	THIS DRAWING CONTAINS INFORMATION THAT IS PROPRIETARY TO MOLEX INCORPORATED AND SHOULD NOT BE USED WITHOUT WRITTEN PERMISSION				
		A3					