

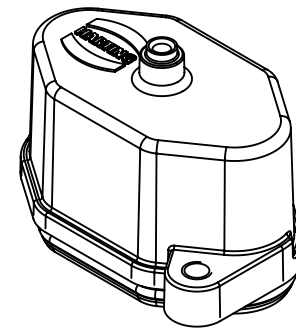
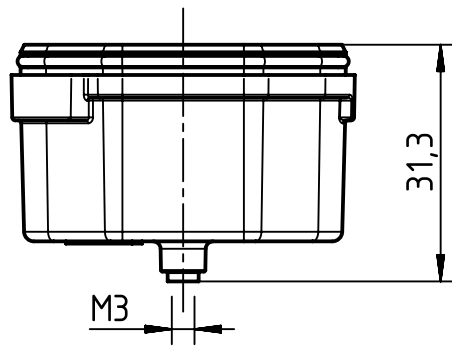
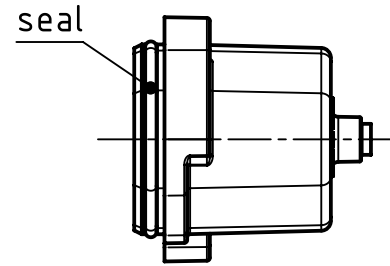
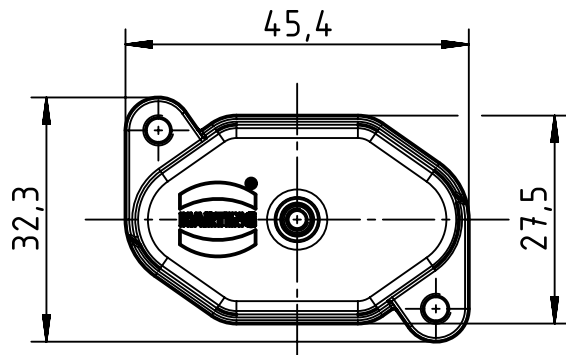
1 2 3 4 5 6

A

B

C

D



	All rights reserved Department EL PD - CN	All Dimensions in mm Original Size DIN A4		Scale 1:1	Free size tol.		Ref.				
		Created by LONGL		Inspected by DINGB		Standardisation RUETERA		Date 2016-11-18		State Final Release	
HARTING (Zhuhai) Manufacturing Co., Ltd. 519085 Zhuhai, China		Title Han 3HPR Hood Cover, Screw lock, Chrome plated, W/O rope						Doc-Key / ECM-Nr. 100673771/UGD/001/B 500000111669			
		Type TB		Number 09 40 003 5413				Rev. B		Page 1/1	