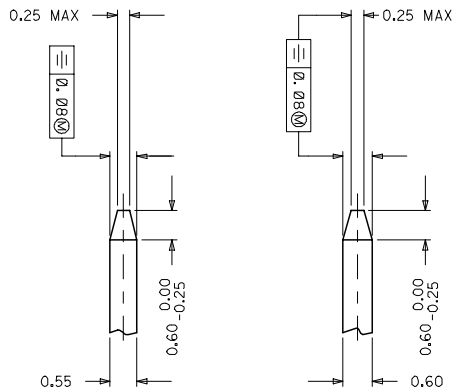
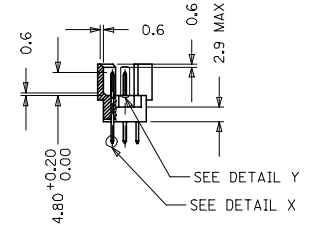
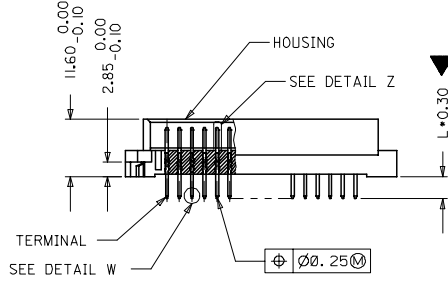
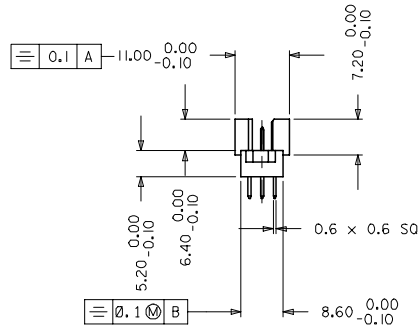
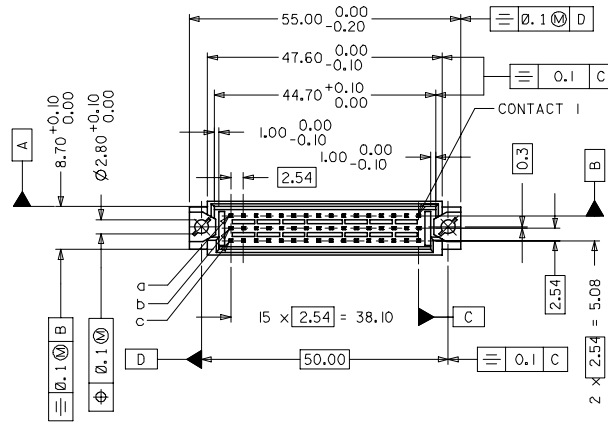


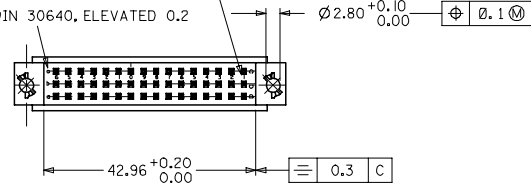
NOTES:

1. MATERIAL NUMBER, BATCH CODE, UL CSA MARKING TO BE PRINTED ON THE CONNECTOR AS PER E-36502-005
2. PRODUCT SPECIFICATION PS:85013-001
3. PACKING SPECIFICATION PK: 36512-001
4. CUT FACES OF TIP WITHOUT PLATING IS PERMITTED
5. REFERENCE AREA OF PLATING
6. GAUGE DRAWING REFER E-36500-100



SCRIPT E1.25-5 DIN 30640, ELEVATED 0.2
(NUMBERED CONTINUOUSLY FROM 1 TO 16)

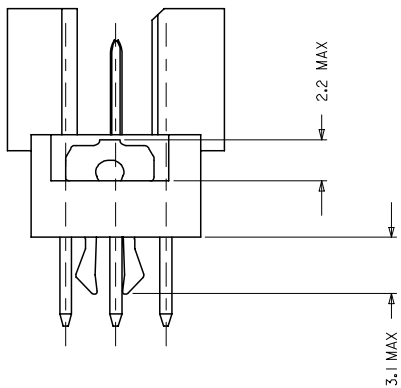
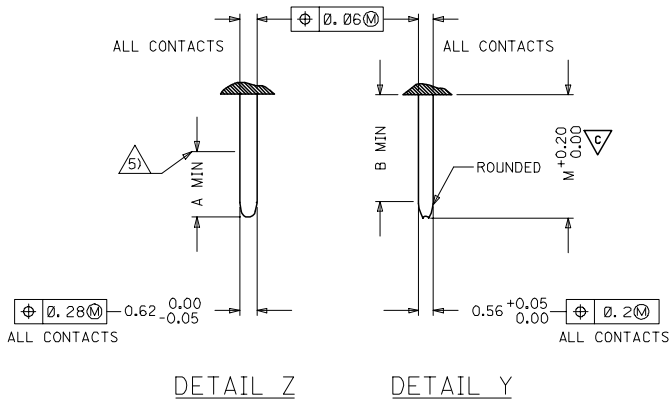
SCRIPT E1.5-6 DIN 30640, ELEVATED 0.2



EC NO. 12005-0092 DR: NISHU VASHA CH: K. PRASAD APPR: S. SUDHIR	QUALITY SYMBOLS ▽=1 ▽=0	GENERAL TOLERANCES (UNLESS SPECIFIED) mm INCH		DIMENSION STYLE MM ONLY		SCALE 2:1	DESIGN UNITS METRIC	THIRD ANGLE PROJECTION		
	4 PLACES ± --- ± --- 3 PLACES ± 0.005 ± --- 2 PLACES ± 0.05 ± --- 1 PLACE ± 0.1 ± ---	DRAWN BY NS	DATE 2004/03/31	TITLE 48 POS. MALE CONNECTOR ACC. DIN 41612 STYLE R/2 CONTACTS			MOLEX INCORPORATED			
	ANGULAR ± 2 °	CHECKED BY G. LOWE	DATE 2004/03/31	MATERIAL NO. SEE CHART			DOCUMENT NO. E-85013-0002	SHEET NO. 1 OF 2		
DRAFT WHERE APPLICABLE MUST REMAIN WITHIN DIMENSIONS		THIS DRAWING CONTAINS INFORMATION THAT IS PROPRIETARY TO MOLEX INCORPORATED AND SHOULD NOT BE USED WITHOUT WRITTEN PERMISSION								

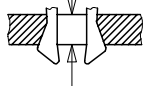
PRE MATING CONTACTS	5.4	4.1	4.8
NORMAL CONTACTS	4.8	3.5	4.2
	M	A	B

MALE CONNECTOR WITH MOUNTING CLIPS



CLIPS SNAP UNDER
PC - BOARD OF
1.5 to 1.8 mm
Fm < 60N
Fr >= 20N
Fr >= 200N, WHEN
SOLDERED IN
PLATED - THROUGH
FIXING HOLES

Fm = MOUNTING FORCE
(FOR ONE CONNECTOR = 2 CLIPS)



FR = RETENTION FORCE
(FOR ONE CONNECTOR = 2 CLIPS)

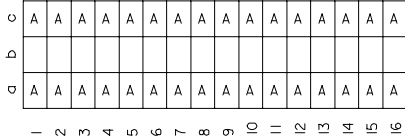


CLIPS STICK IN
FIXING HOLE OF
PC - BOARDS
OVER 1.8 mm
Fm < 60N
FR >= 16N

IEC NO. 12005-0092 2004/11/23 DR:WNSHIVASHA CH:KADAPRASAD APPR:SSUDHIR	QUALITY SYMBOLS ▽=0 ▽=1	GENERAL TOLERANCES (UNLESS SPECIFIED)		DIMENSION STYLE MM ONLY	SCALE 2:1	DESIGN UNITS METRIC	THIRD ANGLE PROJECTION
		4 PLACES ± --- ± --- 3 PLACES ± 0.005 ± --- 2 PLACES ± 0.05 ± --- 1 PLACE ± 0.1 ± ---	mm INCH	DRAWN BY NS	DATE 2004/03/31	TITLE 48 POS. MALE CONNECTOR ACC. DIN 41612 STYLE R/2 CONTACTS	
		DRAFT WHERE APPLICABLE MUST REMAIN WITHIN DIMENSIONS		CHECKED BY GJLOWE	DATE 2004/03/31	MATERIAL NO. SEE CHART	
				APPROVED BY GJLOWE	DATE 2004/03/31	DOCUMENT NO. E-85013-0002	
				THIS DRAWING CONTAINS INFORMATION THAT IS PROPRIETARY TO MOLEX INCORPORATED AND SHOULD NOT BE USED WITHOUT WRITTEN PERMISSION			SHEET NO. 2 OF 2

20 19 18 17 16 15 14 13 12 11 10 9 8 7 6 5 4 3 2 1

VIEW ON MATING SIDE



A = 32 STANDARD CONTACTS L = 4.5

MARKING	STANDARD
PERFORMANCE LEVEL	G2/0 = CONTACT AREA LEVEL2 / TERMINATION TIN
FLUX PROOF	NO
FIXING CLIP	NO
DIMENSIONS	E-85013-0002 SHT 1-2

A	G2/0	a1-16 c1-16
CONTACT SYMBOL	PERFORMANCE LEVEL	CONTACT POSITION NUMBER

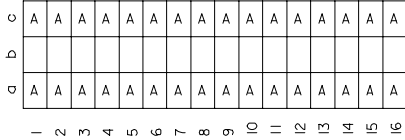
SL. NO.	DESCRIPTION	CONTACT SYMBOL	PART NUMBER	QTY
1	HOUSING		36520-0002	1
2	TERMINAL	A	36527-0005	32

EC NO. I 2004-XXXX DRAWN NS 31/03/04 CHK'd G.L. 31/03/04 APPR. G.L. 31/03/04	QUALITY SYMBOLS	GENERAL TOLERANCES: (UNLESS SPECIFIED)	SCALE	DESIGN UNITS	DIMENSIONS:		SHT	REV
	MAJOR			<input checked="" type="checkbox"/> MM <input type="checkbox"/> INCH	<input type="checkbox"/> MM <input type="checkbox"/> INCH	<input type="checkbox"/> MM <input checked="" type="checkbox"/> INCH	REVISE ON CAD ONLY	
	CRITICAL							
		4 PLACES ±0. ±	DRAWN BY & DATE	THIRD ANGLE PROJECTION		TITLE: 48 POS MALE CONNECTOR		
		3 PLACES ±0. ±	NLS 31/03/04	THIRD ANGLE PROJECTION		ACCORDING DIN 41612 STYLE R/2		
		2 PLACES ±0. ±	CHECKED BY & DATE	THIRD ANGLE PROJECTION		CONTACTS ARRANGEMENT		
		1 PLACE ±0. ±	G.L. 31/03/04	THIRD ANGLE PROJECTION		MOLEX INCORPORATED		
		ANGULAR ±	APPROVED BY & DATE	THIRD ANGLE PROJECTION		MATERIAL NO. DRAWING NO.		
			G.L. 31/03/04	THIRD ANGLE PROJECTION		E-85013-0050.S01 85013-0050 E-85013-0050		
				THIRD ANGLE PROJECTION		SHEET NO. 1 OF 1		
				THIRD ANGLE PROJECTION		SIZE D		
				THIRD ANGLE PROJECTION		THIS DRAWING CONTAINS INFORMATION THAT IS PROPRIETARY TO MOLEX INCORPORATED AND SHOULD NOT BE USED WITHOUT WRITTEN PERMISSION.		

19 18 17 16 15 14 13 12 11 10 9 8 7 6 5 4 3 2 1

20 19 18 17 16 15 14 13 12 11 9 8 7 6 5 4 3 2 1


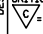
VIEW ON MATING SIDE



A = 32 STANDARD CONTACTS L = 4.5

MARKING	STANDARD
PERFORMANCE LEVEL	G2/0 = CONTACT AREA LEVEL2 / TERMINATION TIN
FLUX PROOF	NO
FIXING CLIP	NO
DIMENSIONS	SD-85013-0002 SHT 1

A	G2/0	a1-16 c1-16
CONTACT SYMBOL	PERFORMANCE LEVEL	CONTACT POSITION NUMBER

EC NO. I 2004-XXXX DRAWN NS 31/03/04 CHK'd G.L. 31/03/04 APPR G.L. 31/03/04	QUALITY SYMBOLS MAJOR  CRITICAL 	GENERAL TOLERANCES: (UNLESS SPECIFIED) 4 PLACES ± 0.1 mm $\pm .005$ INCH 3 PLACES ± 0.2 mm $\pm .010$ INCH 2 PLACES ± 0.3 mm $\pm .015$ INCH 1 PLACE ± 0.4 mm $\pm .020$ INCH ANGULAR: \pm	SCALE: <input checked="" type="checkbox"/> MM <input type="checkbox"/> INCH DESIGN UNITS: <input checked="" type="checkbox"/> MM <input type="checkbox"/> INCH THIRD ANGLE PROJECTION: <input checked="" type="checkbox"/> THIRD ANGLE <input type="checkbox"/> FIRST ANGLE	DIMENSIONS: <input type="checkbox"/> MM <input type="checkbox"/> INCH <input checked="" type="checkbox"/> MM ONLY SHT 1 REV	
	DRAWN BY & DATE NLS 17/03/03	CHECKED BY & DATE G.L. 17/03/03	APPROVED BY & DATE G.L. 17/03/03	TITLE: 48 POS MALE CONNECTOR ACCORDING DIN 41612 STYLE R/2 CONTACTS ARRANGEMENT	MATERIAL NO. 85013-0050 DRAWING NO. SD-85013-0050 SHEET NO. 1 OF 1
	CAD FILENAME SD-85013-0050.S0	THIS DRAWING CONTAINS INFORMATION THAT IS PROPRIETARY TO MOLEX INCORPORATED AND SHOULD NOT BE USED WITHOUT WRITTEN PERMISSION.			MOLEX INCORPORATED
	DRAFT WHERE APPLICABLE MUST REMAIN WITHIN DIMENSIONS	THIS DRAWING CONTAINS INFORMATION THAT IS PROPRIETARY TO MOLEX INCORPORATED AND SHOULD NOT BE USED WITHOUT WRITTEN PERMISSION.			SIZE D

19 18 17 16 15 14 13 12 11 10 9 8 7 6 5 4 3 2 1

VIEW ON MATING SIDE

∩	A	A	A	A	A	A	A	A	A	A	A	A	A	A	A	A	A	A	A
∞																			
◁	A	A	A	A	A	A	A	A	A	A	A	A	A	A	A	A	A	A	A

1 2 3 4 5 6 7 8 9 10 11 12 13 14 15 16 17 18 19 20

A = 32 STANDARD CONTACTS L=4,5

Marking	Standard
Performance level	G2/0 = Contact area perform. level2 / Termination tin
Flux proof	no
Fixing clip	no
Dimensions	SDA-85013-0002 sht.1
Technical Data	PS-85013-0001

A	G2/0	a1-16	c1-16
Contact symbol	Perform. level	Contact position number	

first release see ECN No. 1868	REVISIONS		FOR PREVIOUS REVISIONS SEE MRI LIST	
	LTR	DESCRIPTION	DATE	BY

UNLESS OTHERWISE SPECIFIED TOLERANCES: ANGULAR ± 2°	DRWG BY	SIGN	SH. REV.
INCH	Ca		THIS DRAWING CONTAINS INFORMATION THAT IS PROPRIETARY TO MOLEX INC. & SHOULD NOT BE USED WITHOUT WRITTEN PERMISSION
METRIC	CHK'D BY	SIGN	
3 PLACE ± .	KN		
2 PLACE ± .	APP'D BY	SIGN	
1 PLACE ± .	SCALE		
DRAFT WHERE APPLICABLE MUST REMAIN WITHIN DIMENSIONS	DESIGN DIMENSION	MM	
		IN.	
	EQUIVALENT DIMENSION	MM	
		IN.	
IF TWO DIMENSIONS ARE SHOWN, THE UPPER IS THE DESIGN DIMENSION, LOWER IS SECONDARY	TITLE		
	48 pos. Male connector acc. DIN 41612 style R/2 contacts arrangement		
	MOLEX EUROPE		SHEET NO. DATE
	85013-0050		1 OF 1 95/06/07
	PART NO. DWG NO.		SIZE
	SDA-85013-0050		A