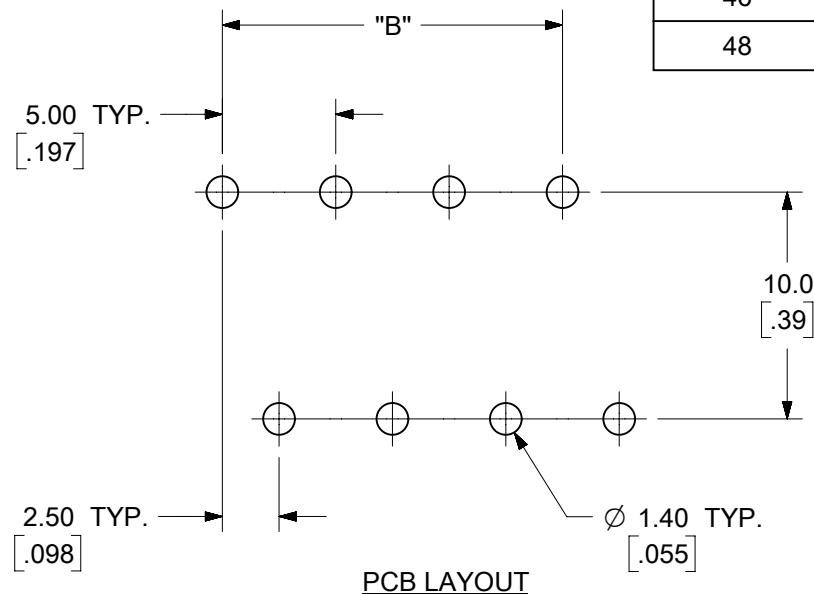


- SPECIFICATIONS:**
- MATERIAL:**
 - (A) BODY: PA66 (UL 94V-0).
 - (B) PIN: BRASS.
 - (C) COVER: PBT (UL 94V-0).
 - ELECTRICAL RATING:** 300V, 15A.
 - DIELECTRIC WITHSTAND:** AC 2500V FOR 1 MINUTE.
 - BREAKDOWN VOLTAGE:** 4000V.
 - INSULATION RESISTANCE:** DC 1000V, 1000 MEGOHMS.
 - OPERATING TEMPERATURE:** -40°C TO +105°C.
 - NUMBER OF CIRCUIT POSITIONS AVAILABLE= 4**
THROUGH 48, EVEN NUMBERED CIRCUIT SIZES ONLY.
 - ALL COMPONENTS ARE ROHS COMPLIANT.**
 - DIMS SHOWN ARE FOR REFERENCE ONLY.**

TOLERANCES			
MM	TOL	INCH	TOL
0-6	±0.25	0-.24	±.010
>6-30	±0.40	.24-1.18	±.016
>30-120	±0.50	1.18-4.76	±.020
>120	±0.80	>4.76	±.031

SYMBOLS THIS DRAWING CONTAINS INFORMATION THAT IS PROPRIETARY TO MOLEX ELECTRONIC TECHNOLOGIES, LLC AND SHOULD NOT BE USED WITHOUT WRITTEN PERMISSION DIMENSION UNITS: MM/INCH SCALE: 3:1 GENERAL TOLERANCES (UNLESS SPECIFIED): 4 PLACES ± --- ± --- 3 PLACES ± --- ± SEE CHART 2 PLACES ± SEE CHART ± SEE CHART 1 PLACE ± SEE CHART ± --- 0 PLACES ± --- ± --- ANGULAR TOL ± --- DRAFT WHERE APPLICABLE MUST REMAIN WITHIN DIMENSIONS THIRD ANGLE PROJECTION DRAWING SERIES: B-SIZE 39528		CURRENT REV DESC: MIGRATION TO ECTR/NX EC NO: 620717 DRWN: ABENJAMINLW 2019/07/11 CHK'D: DACHAMMER 2019/07/16 APPR: JFMURPHY 2019/08/02 INITIAL REVISION: DRWN: LROTHAUS 2006/01/09 APPR: JPAWLICK 2006/01/10	<table border="1"> <tr> <th colspan="3">molex</th> </tr> <tr> <td colspan="3">5.0MM, EURO DUAL HEADER, HORIZONTAL, OPEN END, STACKABLE</td> </tr> <tr> <td colspan="3">PRODUCT CUSTOMER DRAWING</td> </tr> <tr> <td>DOCUMENT NUMBER</td> <td>DOC TYPE</td> <td>DOC PART</td> </tr> <tr> <td>SD-39528-001</td> <td>PSD</td> <td>001</td> </tr> <tr> <td>REVISION</td> <td colspan="2">SHEET NUMBER</td> </tr> <tr> <td>B2</td> <td colspan="2">1 OF 2</td> </tr> </table>	molex			5.0MM, EURO DUAL HEADER, HORIZONTAL, OPEN END, STACKABLE			PRODUCT CUSTOMER DRAWING			DOCUMENT NUMBER	DOC TYPE	DOC PART	SD-39528-001	PSD	001	REVISION	SHEET NUMBER		B2	1 OF 2	
molex																								
5.0MM, EURO DUAL HEADER, HORIZONTAL, OPEN END, STACKABLE																								
PRODUCT CUSTOMER DRAWING																								
DOCUMENT NUMBER	DOC TYPE	DOC PART																						
SD-39528-001	PSD	001																						
REVISION	SHEET NUMBER																							
B2	1 OF 2																							

CIRCUIT SIZE	MATERIAL NUMBERS				DIMENSIONAL INFORMATION			
	BLACK		GREEN		DIM. "A"		DIM. "B"	
	100% TIN	30 u" GOLD	100% TIN	30 u" GOLD	mm	inch	mm	inch
4	395280004	395280504	395285004	395285504	10.00	.394	5.00	.197
6	395280006	395280506	395285006	395285506	15.00	.591	10.00	.394
8	395280008	395280508	395285008	395285508	20.00	.787	15.00	.591
10	395280010	395280510	395285010	395285510	25.00	.984	20.00	.787
12	395280012	395280512	395285012	395285512	30.00	1.181	25.00	.984
14	395280014	395280514	395285014	395285514	35.00	1.378	30.00	1.181
16	395280016	395280516	395285016	395285516	40.00	1.575	35.00	1.378
18	395280018	395280518	395285018	395285518	45.00	1.772	40.00	1.575
20	395280020	395280520	395285020	395285520	50.00	1.969	45.00	1.772
22	395280022	395280522	395285022	395285522	55.00	2.165	50.00	1.969
24	395280024	395280524	395285024	395285524	60.00	2.362	55.00	2.165
26	395280026	395280526	395285026	395285526	65.00	2.559	60.00	2.362
28	395280028	395280528	395285028	395285528	70.00	2.756	65.00	2.559
30	395280030	395280530	395285030	395285530	75.00	2.953	70.00	2.756
32	395280032	395280532	395285032	395285532	80.00	3.150	75.00	2.953
34	395280034	395280534	395285034	395285534	85.00	3.346	80.00	3.150
36	395280036	395280536	395285036	395285536	90.00	3.543	85.00	3.346
38	395280038	395280538	395285038	395285538	95.00	3.740	90.00	3.543
40	395280040	395280540	395285040	395285540	100.00	3.937	95.00	3.740
42	395280042	395280542	395285042	395285542	105.00	4.134	100.00	3.937
44	395280044	395280544	395285044	395285544	110.00	4.331	105.00	4.134
46	395280046	395280546	395285046	395285546	115.00	4.528	110.00	4.331
48	395280048	395280548	395285048	395285548	120.00	4.724	115.00	4.528



TOLERANCES			
MM	TOL	INCH	TOL
0-6	±0.25	0-.24	±.010
>6-30	±0.40	.24-1.18	±.016
>30-120	±0.50	1.18-4.76	±.020
>120	±0.80	>4.76	±.031

SYMBOLS	THIS DRAWING CONTAINS INFORMATION THAT IS PROPRIETARY TO MOLEX ELECTRONIC TECHNOLOGIES, LLC AND SHOULD NOT BE USED WITHOUT WRITTEN PERMISSION		
	DIMENSION UNITS	SCALE	CURRENT REV DESC: MIGRATION TO ECTR/NX
▽ = 0	MM/INCH	3:1	
▽ = 0	GENERAL TOLERANCES (UNLESS SPECIFIED)		
▽ = 0			EC NO: 620717
▽ = 0	4 PLACES ± --- ± ---		DRWN: ABENJAMINLW 2019/07/11
▽ = 0	3 PLACES ± --- ± SEE CHART		CHK'D: DACHAMMER 2019/07/16
▽ = 0	2 PLACES ± SEE CHART ± SEE CHART		APPR: JFMURPHY 2019/08/02
▽ = 0	1 PLACE ± SEE CHART ± ---		INITIAL REVISION:
▽ = 0	0 PLACES ± --- ± ---		DRWN: LROTHAUS 2006/01/09
▽ = 0	ANGULAR TOL ± ---		APPR: JPAWLICK 2006/01/10
▽ = 0	DRAFT WHERE APPLICABLE MUST REMAIN WITHIN DIMENSIONS	THIRD ANGLE PROJECTION	DRAWING
▽ = 0			SERIES
			MATERIAL NUMBER
			CUSTOMER
			SHEET NUMBER

molex

5.0MM, EURO DUAL HEADER,
HORIZONTAL, OPEN END, STACKABLE

PRODUCT CUSTOMER DRAWING

DOCUMENT NUMBER	DOC TYPE	DOC PART	REVISION
SD-39528-001	PSD	001	B2