

Digitized Automation for a Changing World

Delta Vector Control Drive C2000 Series



reddot design award
winner 2010

www.deltaww.com

Send Quote Requests to info@automatedpt.com
Call +1(800)985-6929 To Order or Order Online At Deltaacdrives.com

 **DELTA**
Smarter. Greener. Together.

Powerful Features. High Efficiency.

The C2000 Series AC motor drive provides the most efficient solution for all types of drive applications. It features precise speed, torque and position control functions that are suitable for both sensor and sensorless types of synchronous and asynchronous motors. The C2000 Series is also equipped with built-in PLC functions and supports the CANopen Master/Slave extension for the ultimate in system flexibility and fast data exchange.



Table of Contents

Standard Models	3
Advanced Drive Controls	3
Modular Design	5
Certifications	6
LCD Keypad	7
Features and Applications	8
High-speed networks	
Convenient operation platform	
High performance field oriented control	
Fast response to impact load	
Auto energy saving operation	
DEB function	
Permanent magnet motors (SPM, IPM)	
REG2000 Series	
AFE2000 Series	
Active Front End AFE2000 Series	11
Operation Temperature and Protection Level	12
Environment for Operation, Storage and Transportation	13
Specifications	13
Wiring	
Dimensions	
Option cards	
Ordering information	

Standard Models (IP20/NEMA1)

Power range : 230V 0.75 ~ 90kW

230 V (kW)	0.75	1.5	2.2	3.7	5.5	7.5	11	15	18.5	22	30	37	45	55	75	90
230 V (HP)	1	2	3	5	7.5	10	15	20	25	30	40	50	60	75	100	125
Frame Size	A				B			C			D		E		F	

Power range : 460V 0.75 ~ 450kW

460 V (kW)	0.75	1.5	2.2	3.7	4.0	5.5	7.5	11	15	18.5	22	30	37	45	55	75
460 V (HP)	1	2	3	5	5	7.5	10	15	20	25	30	40	50	60	75	100
Frame Size	A						B			C			D0		D	

Power range: 575V 1.5~15kW

575 V (kW)	1.5	2.2	3.7	5.5	7.5	11	15
575 V (HP)	2	3	5	7.5	10	15	20
Frame Size	A			B			

Power range: 690V 18.5~630kW

690 V (kW)	18.5	22	30	37	45	55	75	90	110	132	160	200	250	315	400	450
690 V (HP)	25	30	40	50	60	75	100	125	150	175	215	270	335	425	530	600
Frame Size	C			D		E				F		G		H		

Advanced Drive Controls

High Performance

1. High bandwidth control
2. Speed / torque / position control mode
3. Dual rating design (normal duty / heavy duty)
4. 4-quadrant torque control and limit
5. For both synchronous and asynchronous motors

Environmental Adaptability

1. 50°C operating temperature
2. Built-in DC reactor
3. Coated circuit boards
4. Built-in EMC filter
5. International safety standard (CE/UL/cUL)

*Note: Please refer to the Product Specification



90	110	132	160	185	220	280	315	355	450
125	150	175	215	250	300	375	425	475	600
E		F		G		H			

560	630
745	840

▪ **Versatile Drive Controls**

1. Built-in safe stop function
2. Built-in PLC function
3. Built-in brake unit
4. Supports various network protocols
5. Position control

▪ **Modular Design**

1. Hot pluggable LCD keypad
2. I/O extension cards
3. Various PG (encoder) feedback cards
4. Network cards for fieldbus modules
5. Removable fan



Modular Design

Various accessories options, such as I/O extension cards, encoder feedback cards, communication cards, hot pluggable LCD keypad, removable terminals and removable fans.

▶ PG (Encoder) cards

EMC-PG01O / EMC-PG02O



EMC-PG01U / EMC-PG02U



EMC-PG01L / EMC-PG02L



EMC-PG01R



■ Removable fan

To ensure personal safety, do not begin wiring before the indicator light is off.

■ Power indicator

To prevent personal injury, please do not perform wiring before power indicator is off.

■ Removable terminals

Convenient wiring and safety equipment.

*NOTE: "▶" are optional accessories.

▶ I/O extension cards

EMC-D611A



EMC-D42A



EMC-A22A



▶ Relay Extension Card

EMC-R6AA



▶ 24V Power Shift Card

EMC-BPS01



▶ Communication cards

CMC-PD01



CMC-DN01



CMC-MOD01 / CMC-EIP01



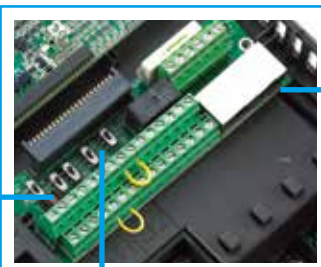
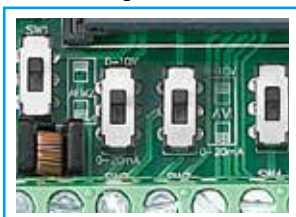
EMC-COP01



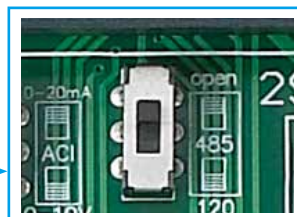
CMC-EC01



Analog I/O switch



Termination resistor



Dual RJ45 communication ports



The modular design fulfills the needs of system applications and equipment maintenance.

- KPC-CC01 keypad
- Standard RJ45 network cable for remote operation.
- Easy to remove with one press.



- The product nameplate shows the input / output voltage, input / output current, the frequency range, and more.



- Remove the safety screws and press on both side tabs to remove the cover.
- Modular fan design, easy to replace and clean, extending product service life.



- RFI Jumper




Excellent Environment Adaptability

- ▶ Built-in DC choke to suppress harmonics*
- ▶ Built-in EMC filter to filter noise*
- ▶ Conformal coating (Class 3C3 of IEC60721-3-3 standard) ensures drive operation stability and safety in critical environments.
- ▶ The electronic components of the drive are isolated from the cooling system to reduce heat interference. Dissipated heat can be discharged by flange-mounting installation, and forced fan cooling can import cold air into the heat sink. The heat dissipation performance is optimized by these two cooling methods.

*Note: Please refer to the Product Specification



Certifications

UL, cUL	CE
C-Tick	Low Voltage: EN61800-5-1
ROHS	EMC: EN61000-3-12, EN61800-3, IEC61000-6-2, IEC61000-6-4, IEC61000-4-2, IEC61000-4-3, IEC61000-4-4, IEC61000-4-5, IEC61000-4-6, IEC61000-4-8

Quick and Easy Parameters Setting via the LCD Keypad

- Multi-column display for the drive status
- Simple and intuitive operation
- User-defined parameter groups
- Real Time Clock and calendar function
- Language selection for display
- Copy function saves parameters and PLC programs to the keypad memory for later transfer to another drive
- IP66 protection level



F1 to F4: User-defined function keys

Selection keys

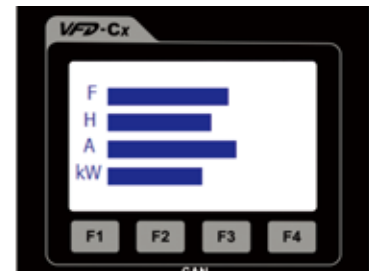
LED displays the current drive status



Create homepage logo



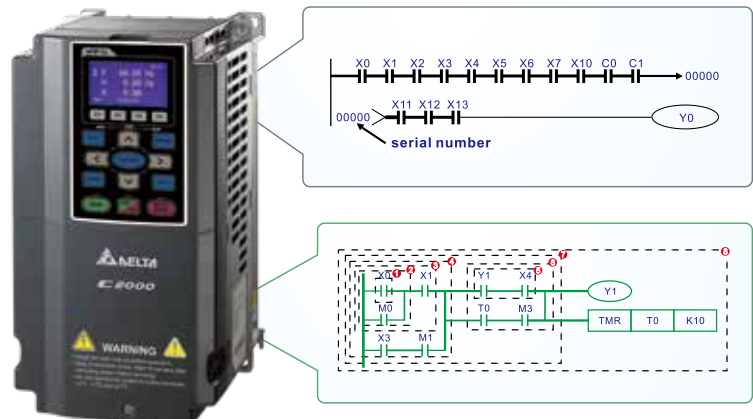
Editable message display



Editable chart display

Intelligent PLC Functions

- Built-in 10K steps capacity of PLC functions. Distributed control and independent operation are easily achieved via network connection.
- CANopen Master protocol and PLC functions provide synchronous control and fast data exchange.



High-Speed Network

- ▶ Provides optional MODBUS RTU and various fieldbus cards for flexible applications

- ▶ Advanced network functions
- ▶ Built-in MODBUS communication

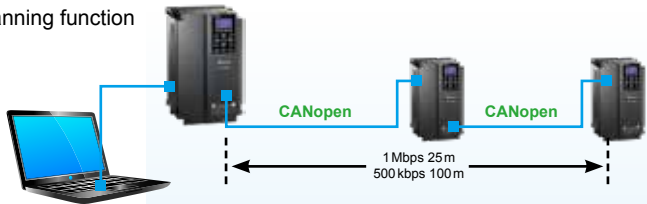


■ CANopen (DS402)

Ability to control up to 8 Slave drives via the CANopen Master function

- Supports all Delta industrial automation products (Built-in EDS files for all Delta industrial automation products)
- I/O data configurations for each device on the CANopen network
- Motion control planning function
- WPL Soft

- TAP-CN03 distribution box for long distances



- RJ45 cable



■ DeviceNet

Through the Delta specially designed DeviceNet Builder software, users can easily establish a standard DeviceNet control network by the parameter pre-assignment function for each equipment and remote I/O.

- Supports all Delta industrial automation products (Built-in EDS files for all Delta industrial automation products)
- I/O data configurations for each device on the DeviceNet network
- DeviceNet layout software



■ EtherNet/IP

■ MODBUS TCP

Delta provides communication integrator software that offers graphic module settings and a user friendly interface to support all Ethernet products settings and online monitoring.

- Delta software for Ethernet/MODBUS TCP products
- Graphic module settings and a user friendly interface
- Auto search function
- Supports Virtual COM settings



Convenient Drive System Management Platform

- Provides a complete operation platform for users' easy control and monitoring via PC, including parameters save/setting, real-time wave monitor, quick setup, for multiple languages and with multi-language operation systems.

- Start-up display**
Displays horsepower, rated voltage and current of the drive in use.
- Parameter management**
Provides parameter setting/save/copy/comparison for convenient parameter management.
- Trend records**
Monitors the drive operation form via network and displays I/O terminal status. Useful for tasks such as "trial run monitoring".
- Quick setup**
Guides the user step-by-step through the drive settings according to a quick setup wizard.

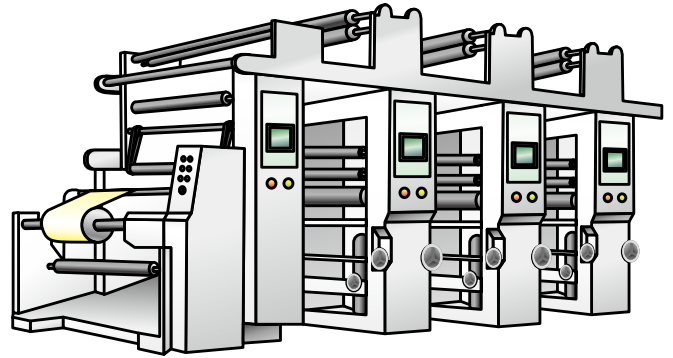
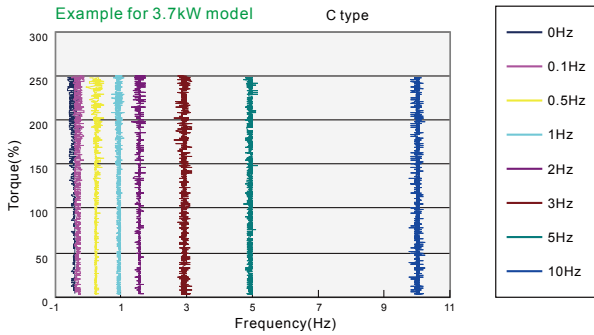
*NOTE: These software programs are available for download on Delta's website



High-Performance Field Oriented Control

The FOC+PG mode of the C2000 Series can output 150% of starting torque at extremely low speeds for precise and stable speed control.

Precise position and speed control is ideal for printing machine applications.

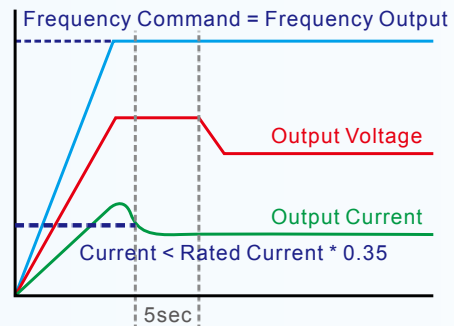
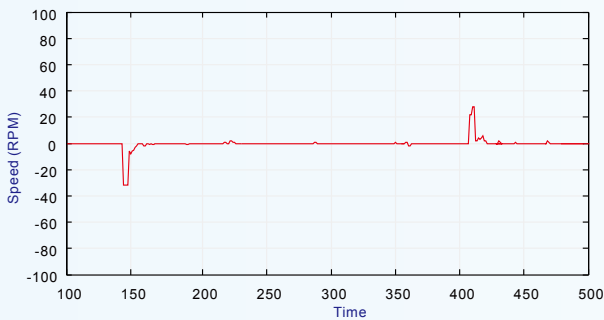


Fast Response to Impact Load

During load changes, the C2000 Series calculates the required torque response and minimizes the vibration caused by load impact using FOC.

Auto Energy-Saving Operation

Auto-calculates the optimal voltage for the load output using load power when under constant speed operation.

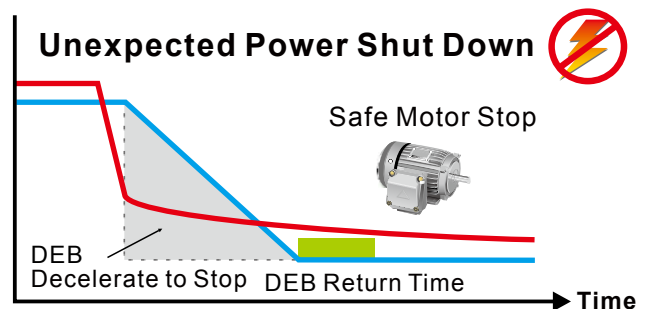
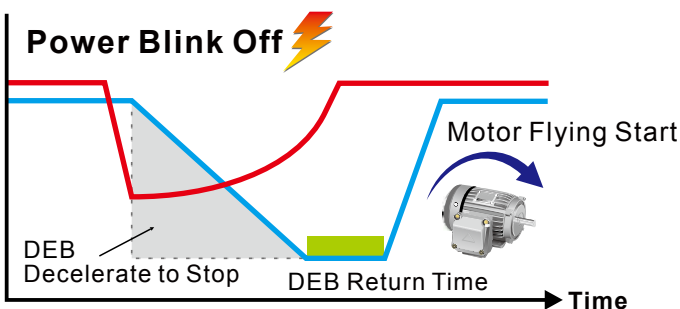


Deceleration Energy Backup (DEB)

This function controls the motor deceleration to stop when power blinks off to prevent mechanical damage and then accelerates to its original operation speed when power resumes.

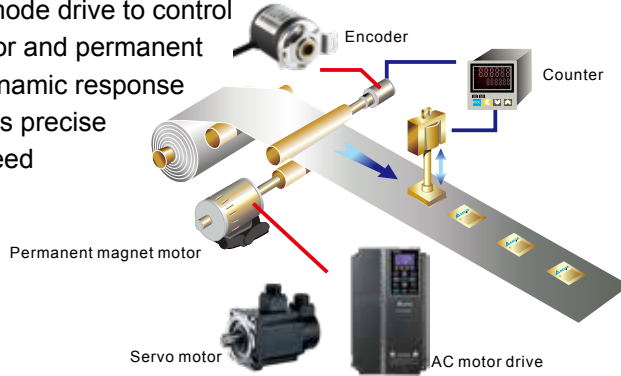
— Input Voltage
— Motor Speed

— Input Voltage
— Motor Speed



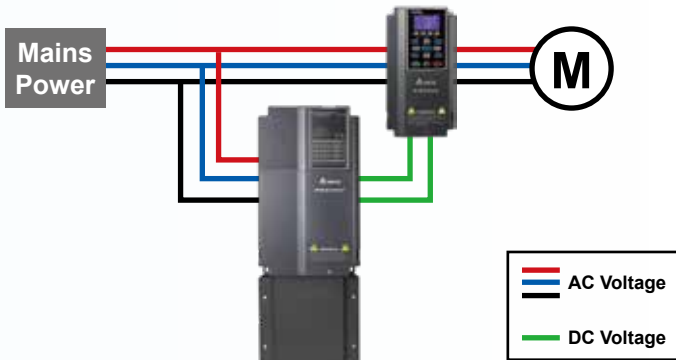
A Drive for Permanent Magnet (PM) Motors

The C2000 is a dual mode drive to control both an induction motor and permanent magnet motor. The dynamic response of a PM motor provides precise control of position, speed and torque.



Delta REG2000 Series for Power Regeneration

Using the REG2000 with the C2000 in a crane and hoist application provides the user with a four-quadrant operation and energy saving results.



Delta AFE2000 Series for Power Regeneration and Power Quality Improvement

The Active Front End Unit (AFE2000) helps to reduce torque ripple and harmonics with a higher power factor to provide excellent production quality and outstanding energy saving results.



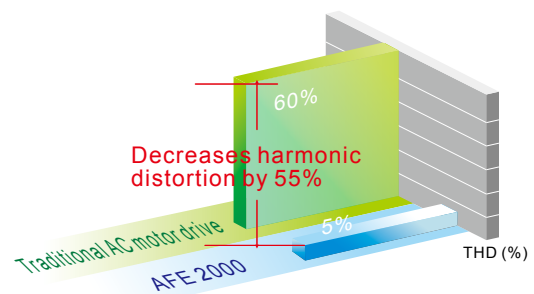
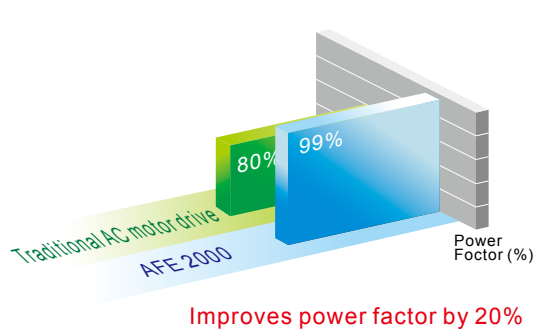
Delta Active Front End AFE2000 Series

Features

- Replaces traditional brake resistor to reduce heat generation.
- Clear energy savings: more than 95% of the regenerative energy is converted into electricity and supplied back to the mains.
- Full-load operation: input-side current THD lower than 5% and improves power factor up to 99%.
- AC motor drives with AFE2000: supports 4-quadrant operation with variable frequencies and adjustable system.
- Constant DC bus voltage: unaffected by mains voltage fluctuations.

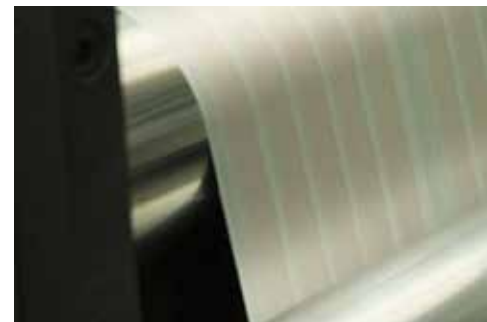


Improves power factor and decreases harmonic distortion.
THD ≤ 5%, power factor > 99%





Applications

- Large-inertia loads, such as centrifuge equipment, dewatering machines and roving machines
- 4-quadrant loads including elevators, cranes and pumpjacks (oil extraction machines)
- Quick braking, such as machine tools, bag making machines, auto storage and retrieval systems, and lathes
- Long-term energy feedback, such as wind power, water power, steel printing and paper making machinery (winding equipment)
- Improves power quality for industries such as semiconductor and panel industries



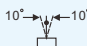
Operation Temperature and Protection Level

Model	Frame	Top Cover	Conduit Box	Protection Level	Operation Temperature
VFDxxxCxxA VFDxxxCxxS	Frame A ~ C 230V: 0.75 ~ 22kW 460V: 0.75 ~ 30kW	Remove top cover	Standard conduit plate	IP20 / UL Open Type	-10°C ~ 50°C
		Standard with top cover		IP20 / UL Type1 / NEMA1	-10°C ~ 40°C
	Frame D ~ H 230V: > 22kW 460V: > 30kW	N / A	No conduit box	 Protection degree for the circled area is IP00, other areas are IP20	-10°C ~ 50°C
VFDxxxCxxE VFDxxxCxxU	Frame A ~ C 460V: 0.75 ~ 30kW	Remove top cover	Standard conduit plate	IP20 / UL Open Type	-10°C ~ 50°C
		Standard with top cover		IP20 / UL Type1 / NEMA1	-10°C ~ 40°C
	Frame D ~ H 230V: > 22kW 460V: > 30kW	N / A	Standard conduit box	IP20 / UL Type1 / NEMA1	-10°C ~ 40°C
VFDxxxC53A-21 VFDxxxC63B-21	Frame A ~ C 1.5 ~ 37kW	Remove top cover	Standard conduit plate	IP20 / UL Open Type	-10°C ~ 50°C
		Standard with top cover		IP20 / UL Type1 / NEMA1	-10°C ~ 40°C
VFDxxxC63B-21	Frame D ~ H > 45kW	N / A	Standard conduit box	IP20 / UL Type1 / NEMA1	-10°C ~ 40°C
VFDxxxC63B-00	Frame D ~ H > 45kW	N / A	No conduit box	 Protection degree for the circled area is IP00, other areas are IP20	-10°C ~ 50°C



Environment for Operation, Storage and Transportation

DO NOT expose the AC motor drive to harsh environments, such as dust, direct sunlight, corrosive/flamable gasses, humidity, liquid or vibrations. The salts in the air must be less than 0.01 mg/cm² per year.

Environment	Installation Location	IEC60364-1/IEC60664-1 Pollution degree 2, indoor use only	
	Surrounding Temperature (°C)	Storage/Transportation	-25 ~ 70
		Only allowed in non-condensation, non-frost, non-conductive environment.	
	Rated Humidity	Operation/Storage/Transportation	Max. 95%
		Only allowed in non-condensation, non-frost, non-conductive environment.	
	Air Pressure (kPa)	Operation/Storage	86 ~ 106
		Transportation	70 ~ 106
	Pollution Level	IEC60721-3-3	
		Operation	Class 3C3; Class 3S2
		Storage	Class 1C2; Class 1S2
Transportation		Class 2C2; Class 2S2	
Altitude	If the AC motor drive is to be used in a harsh environment with a high level of contamination (e.g. dew, water, dust), make sure it is installed in an environment qualified for IP54 such as in a cabinet.		
	Operation	If the AC motor drive is installed at an altitude 0 ~ 1000m, follow normal operation restriction. If it is installed at altitude 1000 ~ 2000m, decrease 1% of rated current or lower 0.5°C of temperature for every 100m increase in altitude. Maximum altitude for Corner Grounded TN system is 2000m, for application over 2000m please contact Delta for more details.	
Package Drop	Storage/Transportation	ISTA procedure 1A (according to weight) IEC60068-2-31	
Vibration	1.0 mm, peak to peak value range from 2Hz to 13.2Hz; 0.7 G ~ 1.0 G range from 13.2 Hz to 55Hz; 1.0 G range from 55 Hz to 512 Hz. Comply with IEC 60068-2-6.		
Impact	IEC/EN 60068-2-27		
Operation Position	Max. allowed offset angle ±10° (under normal installation position)		

Specifications

230V																			
Frame Size		A				B			C			D		E		F			
Model VFD- □□□C□□		007	015	022	037	055	075	110	150	185	220	300	370	450	550	750	900		
Output Rating *	NORMAL DUTY	Rated Output Capacity (kVA)	2.0	3.2	4.4	6.8	10	13	20	26	30	36	48	58	72	86	102	138	
		Rated Output Current (A)	5	8	11	17	25	33	49	65	75	90	120	146	180	215	255	346	
		Applicable Motor Output (kW)	0.75	1.5	2.2	3.7	5.5	7.5	11	15	18.5	22	30	37	45	55	75	90	
		Applicable Motor Output (HP)	1	2	3	5	7.5	10	15	20	25	30	40	50	60	75	100	120	
		Overload Capacity	120% of rated current: 1 minute for every 5 minutes; 160% of rated current: 3 seconds for every 30 seconds																
	HEAVY DUTY	Max. Output Frequency (Hz)	0.00 ~ 599.00																
		Carrier Frequency (kHz)	2 ~ 15 (default setting 8)						2 ~ 10 (default setting 6)						2 ~ 9 (default setting 4)				
		Rated Output Capacity (kVA)	1.9	2.8	4.0	6.4	9.6	12	19	25	28	34	45	55	68	81	96	131	
		Rated Output Current (A)	4.8	7.1	10	16	24	31	47	62	71	86	114	139	171	204	242	329	
		Applicable Motor Output (kW)	0.4	0.75	1.5	2.2	3.7	5.5	7.5	11	15	19	22	30	37	45	55	75	
Input Rating	Input Current (A)	Normal Duty	6.4	12	16	20	28	36	52	72	83	99	124	143	171	206	245	331	
		Heavy Duty	6.1	11	15	18.5	26	34	50	68	78	95	118	136	162	196	233	315	
	Rated Voltage/Frequency	3-phase AC 200V ~ 240V (-15% ~ +10%), 50/60Hz																	
	Operating Voltage Range	170 ~ 264V _{ac}																	
Frequency Tolerance	47 ~ 63Hz																		
Drive Weight (Kg)	2.6 ± 0.3				5.4 ± 1			9.8 ± 1.5			38.5 ± 1.5		64.8 ± 1.5		86.5 ± 1.5				
Efficiency (%)	97.8																		
Power Factor	> 0.98																		
Cooling Method	Natural cooling						Fan cooling												
Braking Chopper	Frame A, B, C: built-in								Frame D and above: optional										
DC Choke	Frame A, B, C: optional								Frame D and above: built-in										
EMC Filter	Optional																		
EMC-COP01	Optional																		

* The factory setting is Normal Duty mode

460V														
Frame Size		A					B			C				
Model VFD-□□□C□□		007	015	022	037	040	055	075	110	150	185	220	300	
Output Rating *	NORMAL DUTY	Rated Output Capacity (kVA)	2.4	3.2	4.8	7.2	8.4	10	14	19	25	30	36	48
		Rated Output Current (A)	3.0	4.0	6.0	9.0	10.5	12	18	24	32	38	45	60
		Applicable Motor Output (kW)	0.75	1.5	2.2	3.7	4.0	5.5	7.5	11	15	18.5	22	30
		Applicable Motor Output (HP)	1	2	3	5	5	7.5	10	15	20	25	30	40
		Overload Capacity	120% of rated current: 1 minute for every 5 minutes; 160% of rated current: 3 seconds for every 30 seconds											
	HEAVY DUTY	Max. Output Frequency (Hz)	0.00 ~ 599.00											
		Carrier Frequency (kHz)	2 ~ 15 (default setting 8)						2 ~ 10 (default setting 6)					
		Rated Output Capacity (kVA)	2.3	3.0	4.5	6.5	7.6	9.6	14	18	24	29	34	45
		Rated Output Current (A)	2.9	3.8	5.7	8.1	9.5	11	17	23	30	36	43	57
		Applicable Motor Output (kW)	0.4	0.75	1.5	2.2	3.7	4.0	5.5	7.5	11	15	18.5	22
Input Rating	Input Current (A)	Normal Duty	4.3	5.9	8.7	14	15.5	17	20	26	35	40	47	63
		Heavy Duty	4.1	5.6	8.3	13	14.5	16	19	25	33	38	45	60
	Rated Voltage/Frequency	3-phase AC 380 V ~ 480 V (-15% ~ +10%), 50/60 Hz												
	Operating Voltage Range	323 ~ 528 V _{AC}												
	Frequency Tolerance	47 ~ 63 Hz												
	Drive Weight (Kg)	2.6 ± 0.3				5.4 ± 1				9.8 ± 1.5				
	Efficiency (%)	97.8												
	Power Factor	> 0.98												
	Cooling Method	Natural cooling			Fan cooling									
	Braking Chopper	Frame A, B, C: built-in; Frame D and above: optional												
DC Choke	Frame A, B, C: optional; Frame D and above: built-in													
EMC Filter	VFDXXC43A: Optional; Frame A~C VFDXXC43E: Built-in													
EMC-COP01	VFDXXC43A: optional; VFDXXC43E: built-in													

460V																
Frame Size		D0		D		E		F		G		H				
Model VFD-□□□C□□		370	450	550	750	900	1100	1320	1600	1850	2200	2800	3150	3550	4500	
Output Rating *	NORMAL DUTY	Rated Output Capacity (kVA)	58	73	88	120	143	175	207	247	295	367	438	491	544	720
		Rated Output Current (A)	73	91	110	150	180	220	260	310	370	460	550	616	683	866
		Applicable Motor Output (kW)	37	45	55	75	90	110	132	160	185	220	280	315	355	450
		Applicable Motor Output (HP)	50	60	75	100	125	150	175	215	250	300	375	420	475	600
		Overload Capacity	120% of rated current: 1 minute for every 5 minutes; 160% of rated current: 3 seconds for every 30 seconds													
	HEAVY DUTY	Max. Output Frequency (Hz)	0.00 ~ 599.00													
		Carrier Frequency (kHz)	2 ~ 10 (default setting 6)						2 ~ 9 (default setting 4)							
		Rated Output Capacity (kVA)	55	69	84	114	136	167	197	235	280	348	417	466	517	677
		Rated Output Current (A)	69	86	105	143	171	209	247	295	352	437	523	585	649	815
		Applicable Motor Output (kW)	30	37	45	55	75	90	110	132	160	185	220	280	315	355
Input Rating	Input Current (A)	Normal Duty	74	101	114	157	167	207	240	300	380	400	494	555	625	866
		Heavy Duty	70	96	108	149	159	197	228	285	361	380	469	527	594	815
	Rated Voltage/Frequency	3 - phase AC 380 V ~ 480 V (-15% ~ +10%), 50/60 Hz														
	Operating Voltage Range	323 ~ 528 V _{AC}														
	Frequency Tolerance	47 ~ 63 Hz														
	Drive Weight (Kg)	27 ± 1.5		38.5 ± 1.5		64.8 ± 1.5		86.5 ± 1.5		134 ± 4		228				
	Efficiency (%)	97.8												98.2		
	Power Factor	> 0.98														
	Cooling Method	Fan cooling														
	Braking Chopper	Frame A, B, C: built-in; Frame D and above: optional														
DC Choke	Frame A, B, C: optional; Frame D and above: built-in															
EMC Filter	Frame D0~H: Optional															
EMC-COP01	VFDXXC43A: optional; VFDXXC43E: built-in															

* The factory setting is Normal Duty mode

NOTES

- 1) The carrier frequency is default. Increasing the carrier frequency requires a reduction in current. please refer to Pr. 06-55 Derating Protection drawing.
- 2) The AC motor drive should operate in derating current when its control method is set to FOC Sensorless, TQC+PG, TQC sensorless. PM+PG, PM sensorless. Please refer to Pr. 06-55 for more information.
- 3) Select the AC motor drive with capacity one grade larger for the impact load application.
- 4) The rated input current will be affected not only by Power Transformer and the connection of the reactors on input side, but also fluctuates with the impedance of power side.
- 5) For Frame A, B and C, Model VFDXXC43A is under IP20/NEMA1/UL TYPE1 protection level.
- 6) For Frame D and above, if the last character of the model is A then it is under IP20 protection level but the wiring terminal is under IP00 protection level;
- 7) if the last character of the model is E, it is under IP20/NEMA1/UL TYPE1 protection level.

575V											
Frame Size		A				B					
Model VFD-□□□C53A-21		015	022	037	055	075	110	150			
Output *	Light Duty	Rated Output Capacity (kVA)	3	4.3	6.7	9.9	12.1	18.7	24.1		
		Rated Output Current (A)	3	4.3	6.7	9.9	12.1	18.7	24.2		
		Applicable Motor Output (kW)	1.5	2.2	3.7	5.5	7.5	11	15		
	Normal Duty	Applicable Motor Output (HP)	2	3	5	7.5	10	15	20		
		Rated Output Capacity (kVA)	2.5	3.6	5.5	8.2	10	15.4	19.9		
		Rated Output Current (A)	2.5	3.6	5.5	8.2	10	15.5	20		
	Heavy Duty	Applicable Motor Output (kW)	0.75	1.5	2.2	3.7	5.5	7.5	11		
		Applicable Motor Output (HP)	1	2	3	5	7.5	10	15		
		Rated Output Capacity (kVA)	2.1	3	4.6	6.9	8.3	12.9	16.7		
	Rated Output Current (A)		2.1	3	4.6	6.9	8.3	13	16.8		
	Applicable Motor Output (kW)		0.75	1.5	2.2	3.7	3.7	7.5	7.5		
	Applicable Motor Output (HP)		1	2	3	5	5	10	10		
	Carrier Frequency (kHz)		2~15 (default setting 4)								
Input	Input Current (A)	Light Duty	3.8	5.4	10.4	14.9	16.9	21.3	26.3		
		Normal Duty	3.1	4.5	7.2	12.3	15	18	22.8		
		Heavy Duty	2.6	3.8	5.8	10.7	12.5	16.9	19.7		
	Rated Voltage/Frequency		3-Phase 525 V _{AC} ~600 V _{AC} (-15%~+10%), 50/60 Hz								
Operating Voltage Range		446~660 V _{AC}									
Frequency Tolerance		47~63 Hz									
Efficiency (%)		97				98					
Power Factor		>0.98									
AC Drive Weight (Kg)		3±0.3				4.8±1					
Cooling Method		Natural cooling				Fan cooling					
Braking Chopper		Built-in									
DC Choke		Optional									
EMC Filter		Optional									

690V												
Frame Size		C				D		E				
Model VFD-□□□C63B-00 / -21		185	220	300	370	450	550	750	900	1100	1320	
Output *	Light Duty	Rated Output Capacity (kVA)	29	36	43	54	65	80	103	124	149	179
		Applicable Motor Output (690V, kW)	18.5	22	30	37	45	55	75	90	110	132
		Applicable Motor Output (690V, HP)	25	30	40	50	60	75	100	125	150	175
	Normal Duty	Applicable Motor Output (575V, HP)	20	25	30	40	50	60	75	100	125	150
		Rated Output Current (A)	24	30	36	45	54	67	86	104	125	150
		Rated Output Capacity (kVA)	24	29	36	43	54	65	80	103	124	149
	Heavy Duty	Applicable Motor Output (690V, kW)	15	18.5	22	30	37	45	55	75	90	110
		Applicable Motor Output (690V, HP)	20	25	30	40	50	60	75	100	125	150
		Applicable Motor Output (575V, HP)	15	20	25	30	40	50	60	75	100	125
	Rated Output Current (A)		20	24	30	36	45	54	67	86	104	125
	Rated Output Capacity (kVA)		17	24	29	36	43	54	65	80	103	124
	Applicable Motor Output (690V, kW)		11	15	18.5	22	30	37	45	55	75	90
	Applicable Motor Output (690V, HP)		15	20	25	30	40	50	60	75	100	125
Applicable Motor Output (575V, HP)		10	15	20	25	30	40	50	60	75	100	
Rated Output Current (A)		14	20	24	30	36	45	54	67	86	104	
Carrier Frequency (kHz)		2~9 (default setting 4)										
Input	Input Current (A)	Light Duty	29	36	43	54	65	81	84	102	122	147
		Normal Duty	24	29	36	43	54	65	66	84	102	122
		Heavy Duty	20	24	29	36	43	54	53	66	84	102
	Rated Voltage/Frequency		3-Phase 525 V _{AC} ~690 V _{AC} (-15%~+10%), 50/60 Hz									
Operating Voltage Range		446~759 V _{AC}										
Frequency Tolerance		47~63 Hz										
Efficiency (%)		97										
Power Factor		>0.98										
AC Drive Weight (Kg)		10±1.5				39±1.5			61±1.5			
Cooling Method		Fan cooling										
Braking Chopper		Frame C (built-in)				Frame D and above (optional)						
DC Choke		Frame C (optional)				Frame D and above (built-in)						
EMC Filter		Optional										


* Parameter 00-16; available load modes: Light Duty (LD), Normal Duty (ND) and Heavy Duty (HD); default setting is LD mode

690 V										
Frame Size		F		G		H				
Model VFD-□□□C63B-00 / -21		1600	2000	2500	3150	4000	4500	5600	6300	
Output *	Light Duty	Rated Output Capacity (kVA)	215	263	347	418	494.5	534.7	678.5	776
		Applicable Motor Output (690V, kW)	160	200	250	315	400	450	560	630
		Applicable Motor Output (690V, HP)	215	270	335	425	530	600	745	850
	Normal Duty	Applicable Motor Output (575V, HP)	175	200	250	350	400	450	500	745
		Rated Output Current (A)	180	220	290	350	430	465	590	675
		Rated Output Capacity (kVA)	179	215	239	347	402.5	442.7	534.7	776
	Heavy Duty	Applicable Motor Output (690V, kW)	132	160	200	250	315	355	450	630
		Applicable Motor Output (690V, HP)	175	215	270	335	425	475	600	850
		Applicable Motor Output (575V, HP)	150	175	200	250	350	400	450	745
		Rated Output Current (A)	150	180	220	290	350	385	465	675
		Rated Output Capacity (kVA)	149	179	215	263	333.5	356.5	483	776
	Applicable Motor Output (690V, kW)		110	132	160	200	250	280	400	630
Applicable Motor Output (690V, HP)		150	175	215	270	335	375	530	850	
Applicable Motor Output (575V, HP)		125	150	175	200	250	335	450	745	
Rated Output Current (A)		125	150	180	220	290	310	420	675	
Carrier Frequency (kHz)		2~9 (default setting 4)						2~9 (default setting 3)		
Input	Input Current (A)	Light Duty	178	217	292	353	454	469	595	681
		Normal Duty	148	178	222	292	353	388	504	681
		Heavy Duty	123	148	181	222	292	313	423	681
	Rated Voltage/Frequency		3-Phase 525 V _{AC} ~690 V _{AC} (-15%~+10%), 50/60 Hz							
Operating Voltage Range		446~759 V _{AC}								
Frequency Tolerance		47~63 Hz								
Efficiency (%)		97			98					
Power Factor		>0.98								
AC Drive Weight (Kg)		88 ± 1.5		135 ± 4		243 ± 5				
Cooling Method		Fan cooling								
Braking Chopper		Frame D and above (optional)								
DC Choke		Frame D and above (built-in)								
EMC Filter		Optional								

* Parameter 00-16; available load modes: Light Duty (LD), Normal Duty (ND) and Heavy Duty (HD); default setting is LD mode



General Specifications

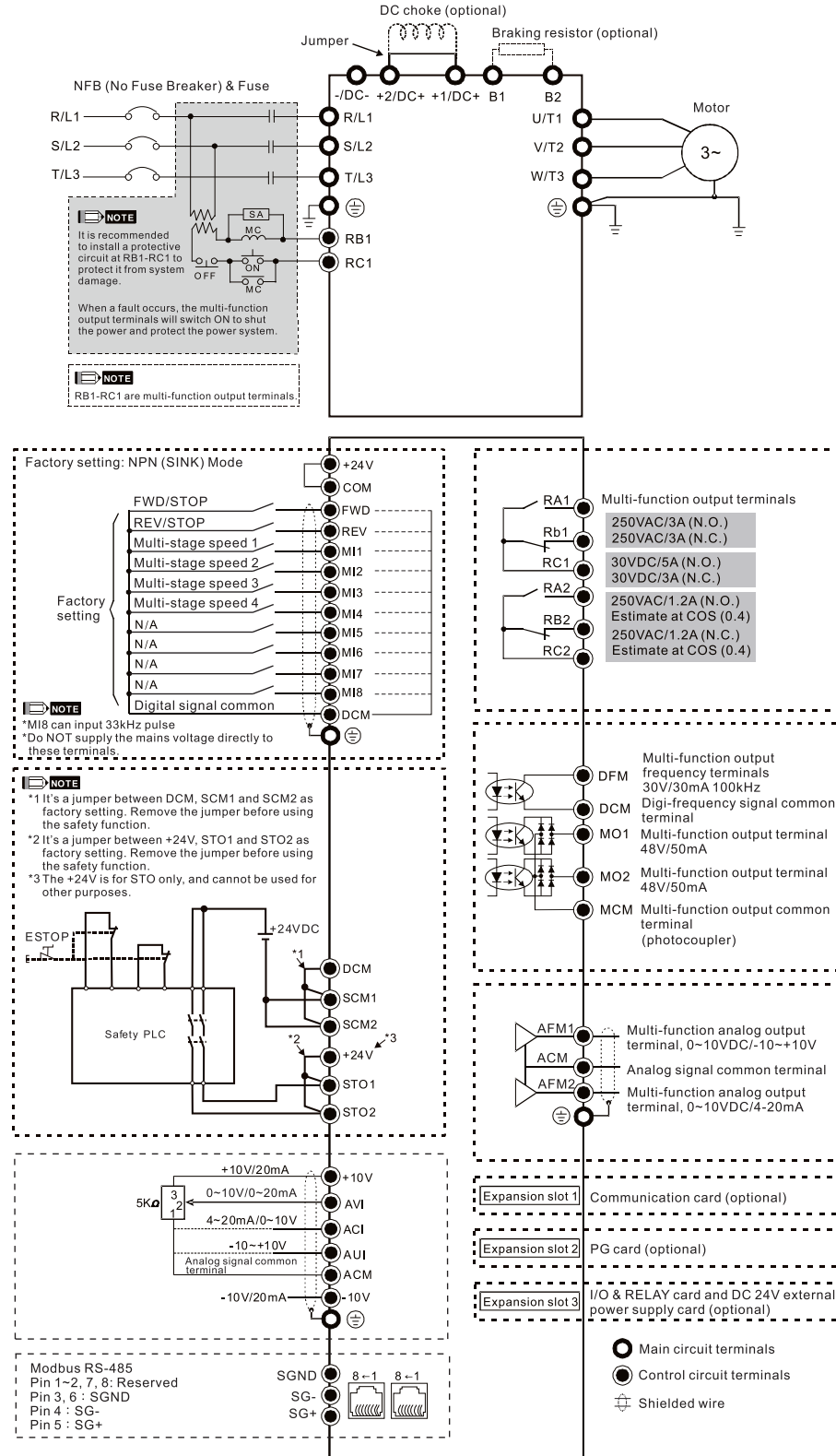
Control Characteristics	Control Method	Pulse Width Modulated (PWM)
	Control Mode	230V / 460V model: 1: V/F · 2: SVC · 3: VF+PG · 4: FOC+PG · 5: TQC+PG · 6: PM+PG · 7: FOC sensorless · 8: TQC sensorless · 9: PM sensorless 575V / 690V model: 1: V/F · 2: V/F+PG · 3: SVC
	Starting Torque	Reach up to 150% or above at 0.5Hz. Under FOC+PG mode, starting torque can reach 150% at 0Hz
	V/F Curve	4-point adjustable V/F curve and square curve
	Speed Response Ability	5Hz (vector control can reach up to 40Hz)
	Torque Limit	230V / 460V model: Normal duty 160%, heavy duty 180% of torque current ; 575V / 690V model: Maximum 200% of torque current
	Torque Accuracy at TQC Mode	TQC + PG : ±5% TQC Sensorless : ±15%
	Max. Output Frequency (Hz)	Light Duty / Normal duty: 0.01 ~ 599.00Hz; Heavy duty: 0.00 ~ 300.00Hz
	Frequency Output Accuracy	Digital command: ±0.01%, -10 ° C ~ +40 ° C, Analog command: ±0.1%, 25 ±10 ° C
	Output Frequency Resolution	Digital command: 0.01 Hz, Analog command: 0.03 * max. output frequency/60Hz (±11 bit)
	Overload Capacity	230V / 460V model: Normal duty: 120% of rated current can endure for 1 minute during every 5 minutes ; 160% of rated current can endure for 3 seconds during every 30 seconds Heavy duty: 150% of rated current can endure for 1 minute during every 5 minutes ; 180% of rated current can endure for 3 seconds during every 30 seconds 575V / 690V model: Light duty: 120% of rated current can endure for 1 minute Normal duty: 120% of rated current can endure for 1 minute, 150% can endure for 3 seconds Heavy duty: 150% of rated current can endure for 1 minute, 180% can endure for 3 seconds
	Frequency Setting Signal	+10V~-10V, 0~+10V, 4~20mA, 0~20mA, pulse input
	Accel./decel. Time	0.00~600.00 / 0.0~6000.0 Seconds
Main Control Function	Torque control, Speed/torque control switching, Feed forward control, Zero-servo control, Momentary power loss ride thru, Speed search, Over-torque detection, Torque Limit, 16-step speed (Max.), Accel./decel time switch, S-curve accel./decel, 3-wire sequence, Auto-Tuning (rotational, stationary), Dwell, Slip compensation, Torque compensation, JOG frequency, Fault restart, Frequency upper/lower limit settings, DC injection braking at start/stop, High slip braking, Parameter copy PID control (with sleep function), Energy saving control, MODOBUS communication (RS-485 RJ45, Max. 115.2kbps)	
Fan Control	230V model: VFD150C23A (include) and series above: PMW control; VFD110C23A and below: on/off switch control 460V model: VFD185C43A (include) and series above: PMW control; VFD150C43A and below: on/off switch control 575V / 690V model: PWM control	
Protection Characteristics	Motor Protection	Electronic thermal relay protection
	Over-current Protection	230V / 460V model: Over-current protection for 240% of rated current (Normal duty) Current clamp (Normal duty: around 170 ~ 175%); (Heavy duty: around 180 ~ 185%) 575V / 690V model: Over-current protection for 225% rated current (Normal duty) Current clamp (Light duty: around 128 ~ 141%); (Normal duty: around 170 ~ 175%); (Heavy duty: around 202% ~ 210%)
	Over-voltage Protection	The C2000 Series will shut down under below conditions: 230V: DC bus over 410V; 460V: DC bus over 820V; 575V / 690V: DC bus over 1189V
	Over-temperature Protection	Built-in temperature sensor
	Stall Prevention	Stall prevention during acceleration, deceleration and running independently
	Restart After Instantaneous Power Failure	Parameter setting up to 20 seconds
	Grounding Leakage Current Protection	Leakage current is higher than 50% of rated current of the AC motor drive
Short-circuit Current Rating (SCCR)	Per UL508C, the drive is suitable for use on a circuit capable of delivering not more than 100kA symmetrical amperes (rms) when protected by fuses given in the fuse table	
International Certifications		

Note: EAC Certification is for 230V and 460V models only

Wiring

Wiring Diagram for Frame A ~ C

*Input: 3-phase power



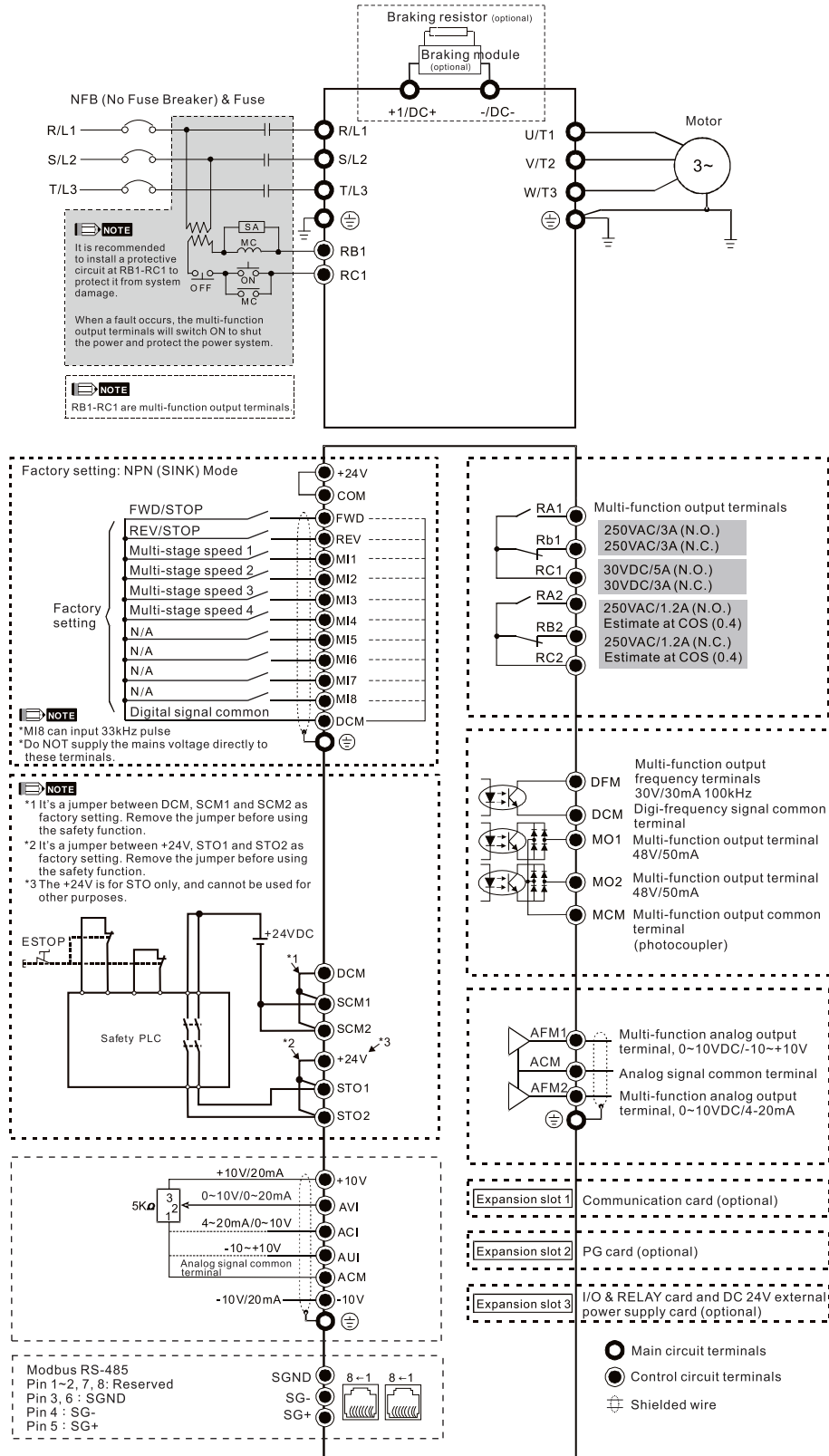
NOTE

It is not recommended to use a power capacitor or automatic power factor regulator (APFR) at the power input side. If the system requires such a device, please make sure a reactor is installed between the drive and the power capacitor or APFR.



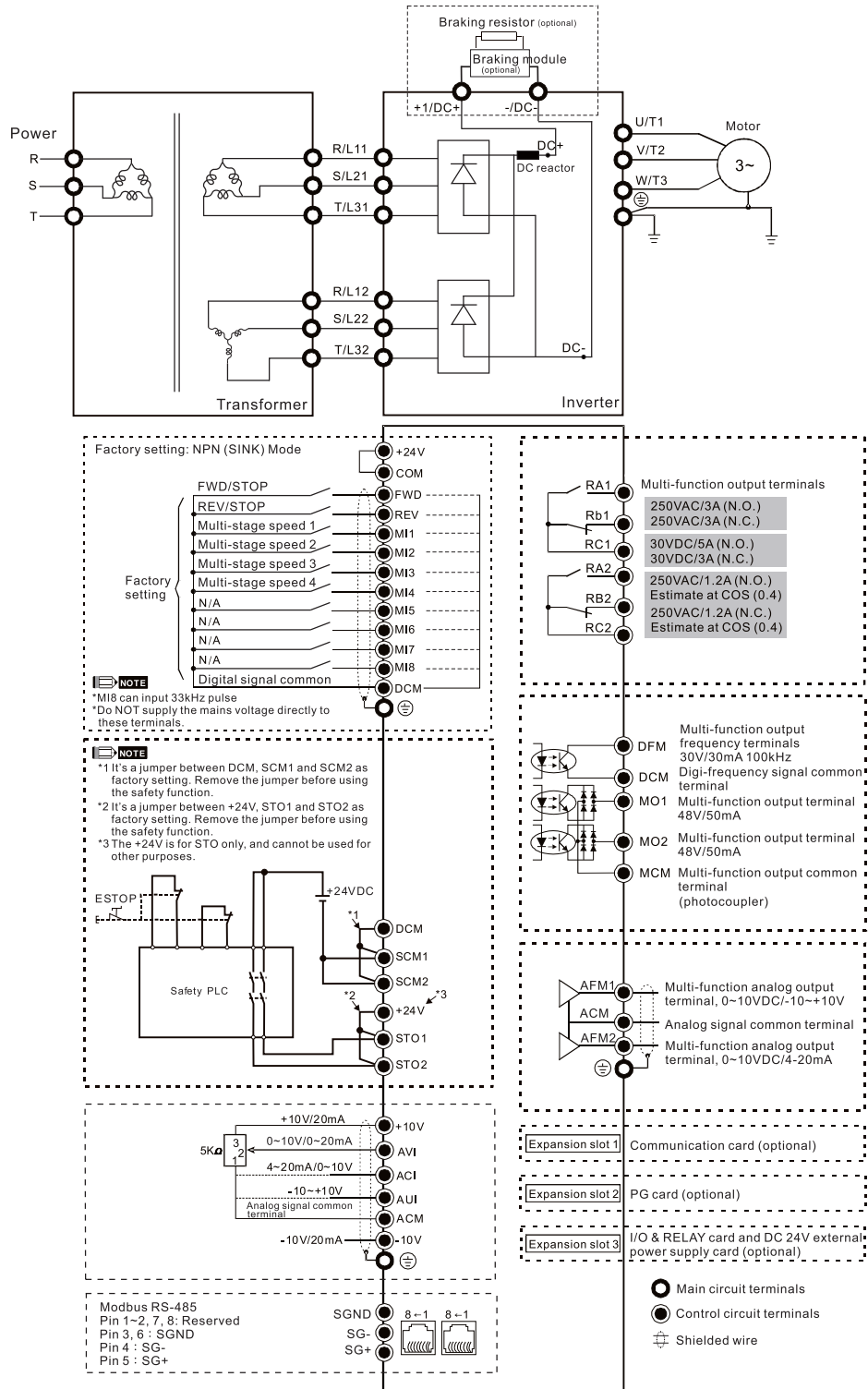
Wiring Diagram for Frame D ~ F

*Input: 3-phase power



Wiring Diagram for Frame G ~ H

*Input: 3-phase power

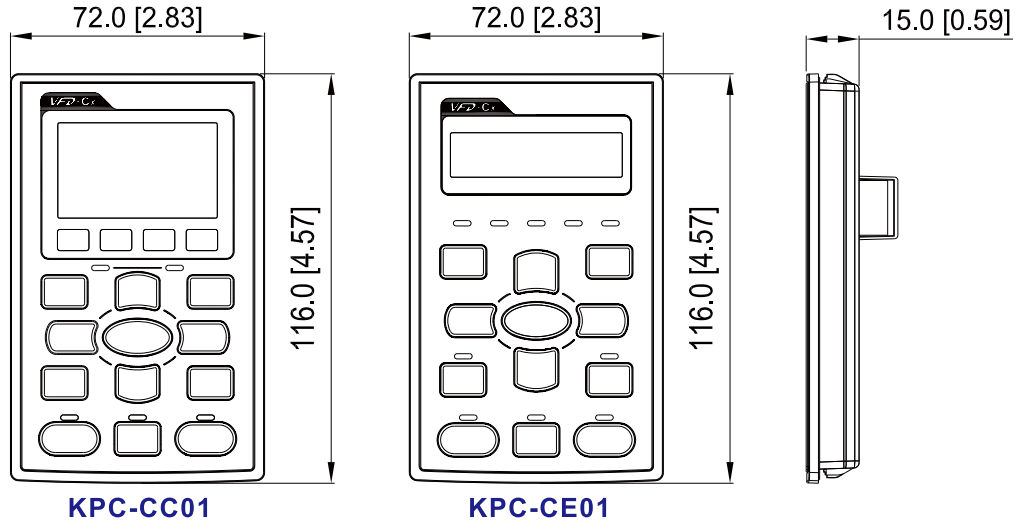


NOTE

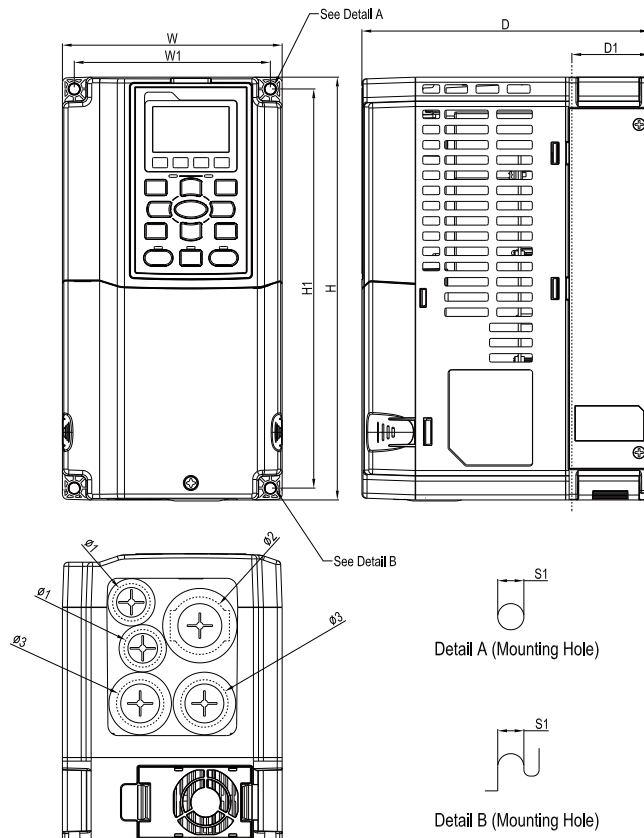
It is not recommended to use a power capacitor or automatic power factor regulator (APFR) at the power input side. If the system requires such a device, please make sure a reactor is installed between the drive and the power capacitor or APFR.

Dimensions

Digital Keypad Unit: mm [inch]



Frame A



MODEL FRAME_A

- VFD007C23A
- VFD015C23A
- VFD022C23A
- VFD037C23A
- VFD007C43A / 43E
- VFD015C43A / 43E
- VFD022C43A / 43E
- VFD037C43A / 43E
- VFD040C43A / 43E
- VFD055C43A / 43E
- VFD015C53A-21
- VFD022C53A-21
- VFD037C53A-21

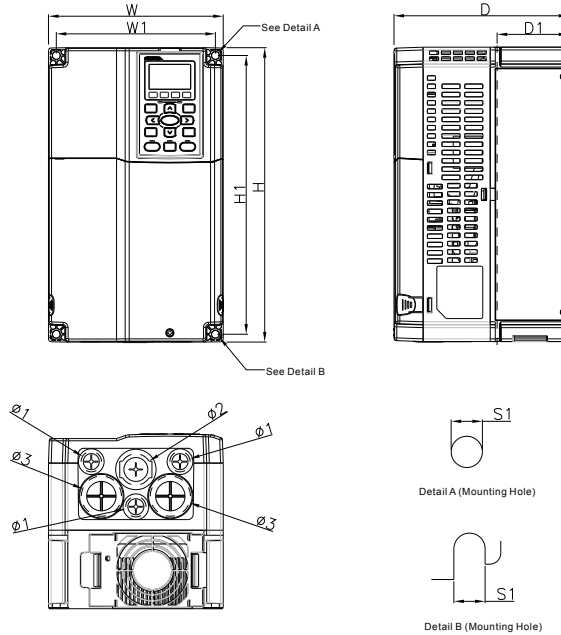
Frame	W	H	D	W1	H1	D1*	Ø	Ø1	Ø2	Ø3	
A1	mm	130.0	250.0	170.0	116.0	236.0	45.8	6.2	22.2	34.0	28.0
	inch	5.12	9.84	6.69	4.57	9.29	1.80	0.24	0.87	1.34	1.10

*D1: Flange mount.

Frame B

MODEL

- VFD055C23A
- VFD075C23A
- VFD110C23A
- VFD075C43A / 43E
- VFD110C43A / 43E
- VFD150C43A / 43E
- VFD055C53A-21
- VFD075C53A-21
- VFD110C53A-21
- VFD150C53A-21



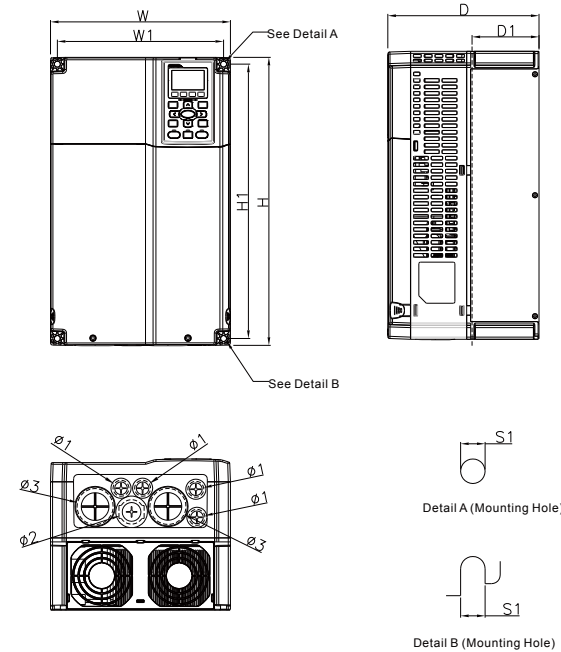
Frame	W	H	D	W1	H1	D1*	S1	Ø1	Ø2	Ø3	
B1	mm	190.0	320.0	190.0	173.0	303.0	77.9	8.5	22.2	34.0	28.0
	inch	7.48	12.60	7.48	6.81	11.93	3.07	0.33	0.87	1.34	1.10

*D1: Flange mount.

Frame C

MODEL

- VFD150C23A
- VFD185C23A
- VFD220C23A
- VFD185C43A / 43E
- VFD220C43A / 43E
- VFD300C43A / 43E
- VFD185C63B-21
- VFD220C63B-21
- VFD300C63B-21
- VFD370C63B-21

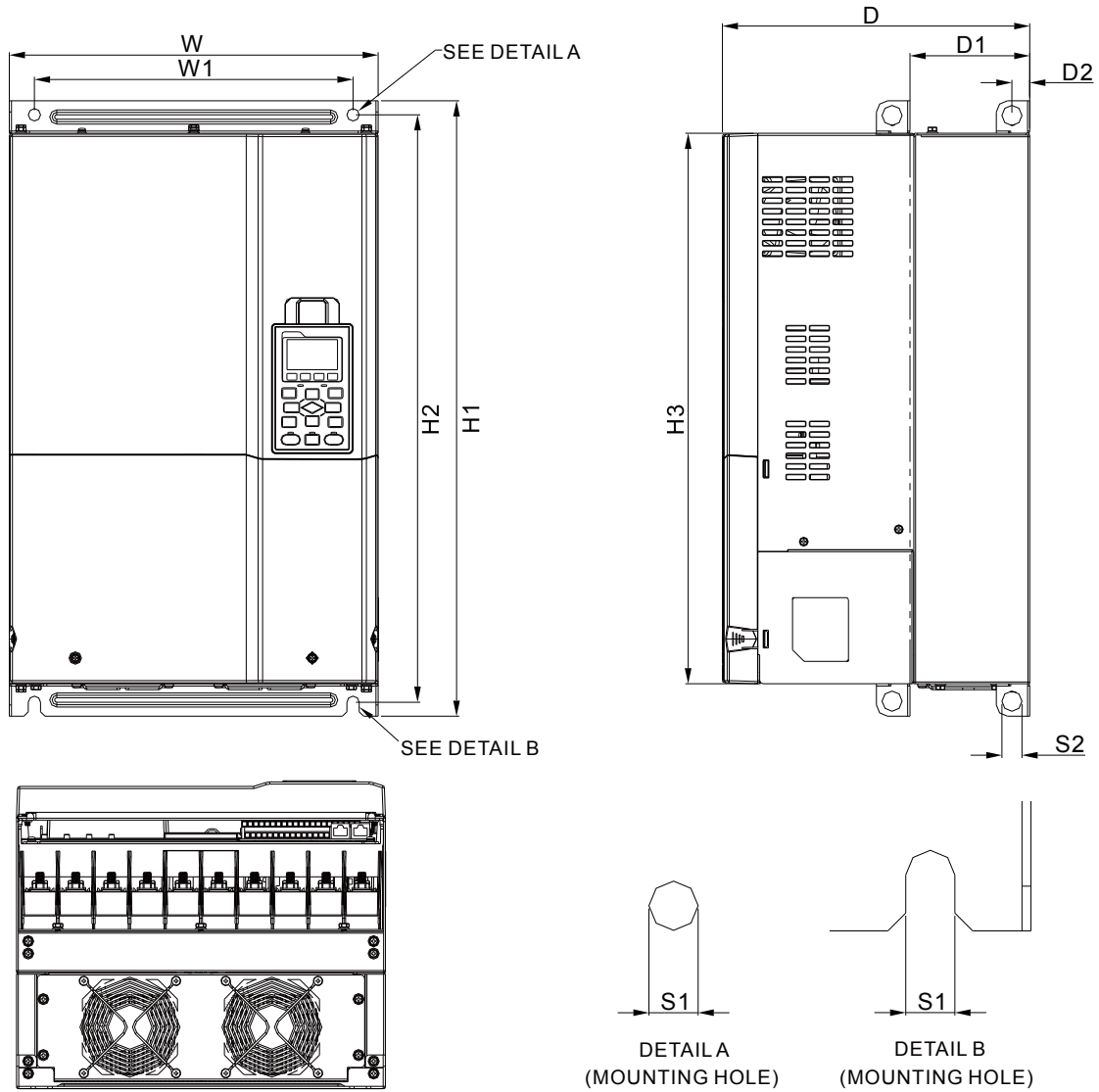


Frame	W	H	D	W1	H1	D1*	S1	Ø1	Ø2	Ø3	
C1	mm	250.0	400.0	210.0	231.0	381.0	92.9	8.5	22.2	34.0	50.0
	inch	9.84	15.75	8.27	9.09	15.00	3.66	0.33	0.87	1.34	1.97

*D1: Flange mount.



Frame D

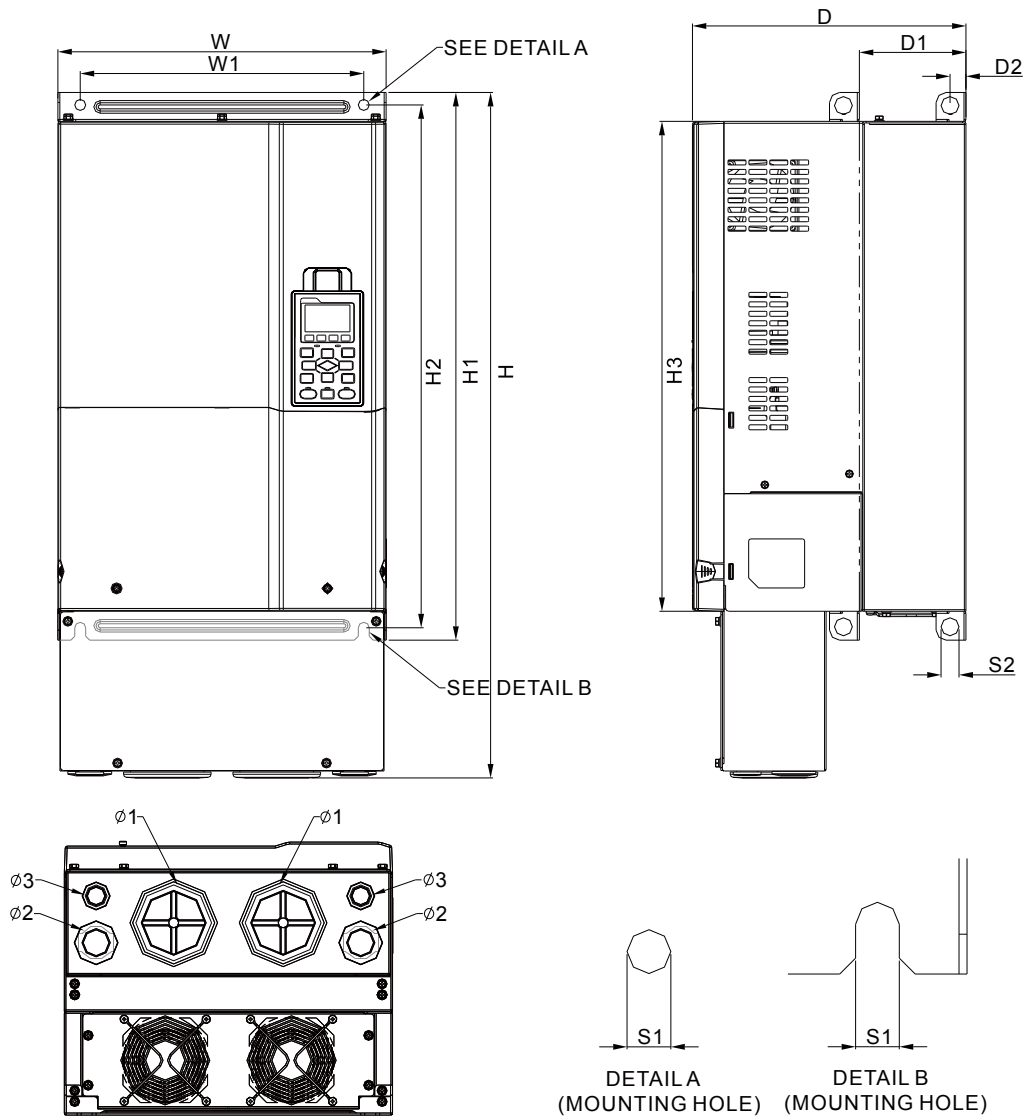


MODEL	FRAME_D1	FRAME_D0-1
VFD300C23A		VFD370C43S
VFD370C23A		VFD450C43S
VFD550C43A		
VFD750C43A		
VFD450C63B-00		
VFD550C63B-00		

Frame	W	H	D	W1	H1	H2	H3	D1*	D2	S1	S2	Ø1	Ø2	Ø3	
D1	mm	330.0	-	275.0	285.0	550.0	525.0	492.0	107.2	16.0	11.0	18.0	-	-	-
	inch	12.99	-	10.83	11.22	21.65	20.67	19.37	4.22	0.63	0.43	0.71	-	-	-
Frame	W	H	D	W1	H1	H2	H3	D1*	D2	S1	S2	Ø1	Ø2	Ø3	
D0-1	mm	280.0	-	255.0	235.0	500.0	475.0	442.0	94.2	16.0	11.0	18.0			
	inch	11.02	-	10.04	9.25	19.69	18.70	17.40	3.71	0.63	0.43	0.71			

*D1: Flange mount.

Frame D



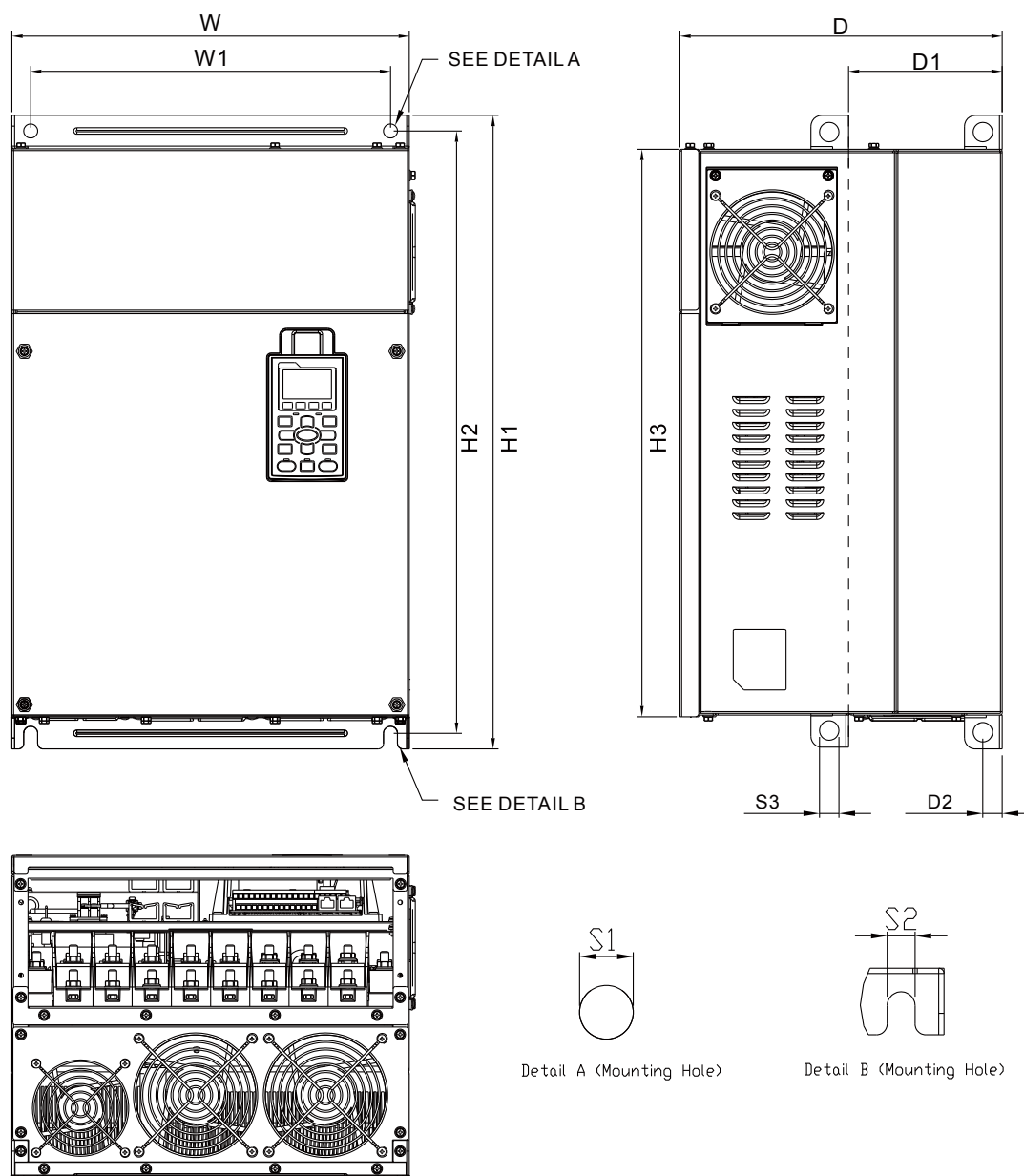
MODEL	FRAME_D2	FRAME_D0-2
VFD300C23E		VFD370C43U
VFD370C23E		VFD450C43U
VFD550C43E		
VFD750C43E		
VFD450C63B-21		
VFD550C63B-21		

Frame	W	H	D	W1	H1	H2	H3	D1*	D2	S1	S2	Ø1	Ø2	Ø3	
D2	mm	330.0	688.3	275.0	285.0	550.0	525.0	492.0	107.2	16.0	11.0	18.0	76.2	34.0	22.0
	inch	12.99	27.10	10.83	11.22	21.65	20.67	19.37	4.22	0.63	0.43	0.71	3.00	1.34	0.87
Frame	W	H	D	W1	H1	H2	H3	D1*	D2	S1	S2	Ø1	Ø2	Ø3	
D0-2	mm	280.0	614.4	255.0	235.0	500.0	475.0	442.0	94.2	16.0	11.0	18.0	62.7	34.0	22.0
	inch	11.02	21.19	10.04	9.25	19.69	18.70	17.40	3.71	0.63	0.43	0.71	2.47	1.34	0.87

*D1: Flange mount.



Frame E



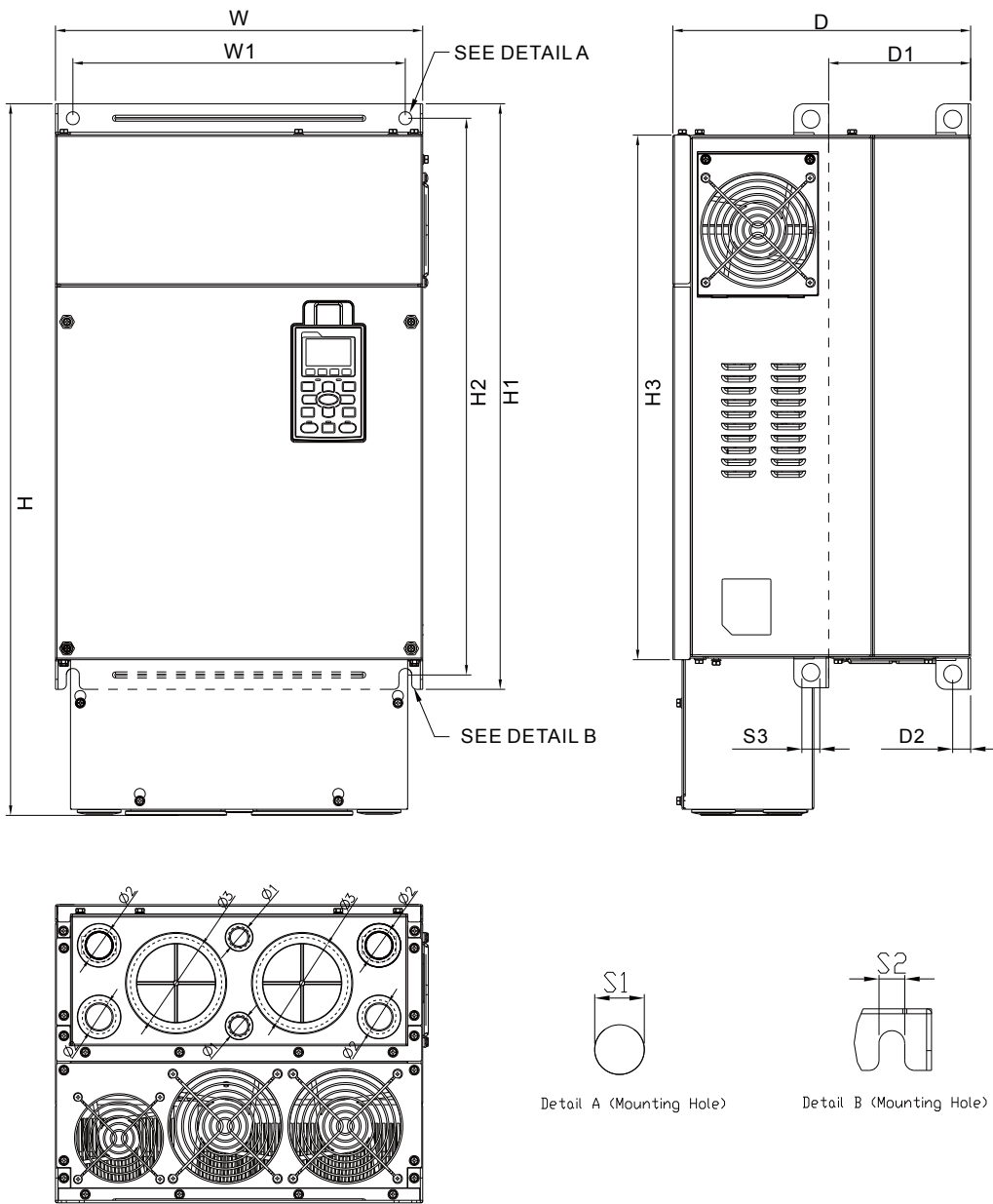
MODEL FRAME_E1

VFD450C23A	VFD750C63B-00
VFD550C23A	VFD900C63B-00
VFD750C23A	VFD1100C63B-00
VFD900C43A	VFD1320C63B-00
VFD1100C43A	

Frame	W	H	D	W1	H1	H2	H3	D1*	D2	S1	S2	S3	Ø1	Ø2	Ø3	
E1	mm	370.0	-	300.0	335.0	589	560.0	528.0	143.0	18.0	13.0	13.0	18.0	-	-	-
	inch	14.57	-	11.81	13.19	23.19	22.05	20.80	5.63	0.71	0.51	0.51	0.71	-	-	-

*D1: Flange mount.

Frame E



**MODEL
FRAME_E2**

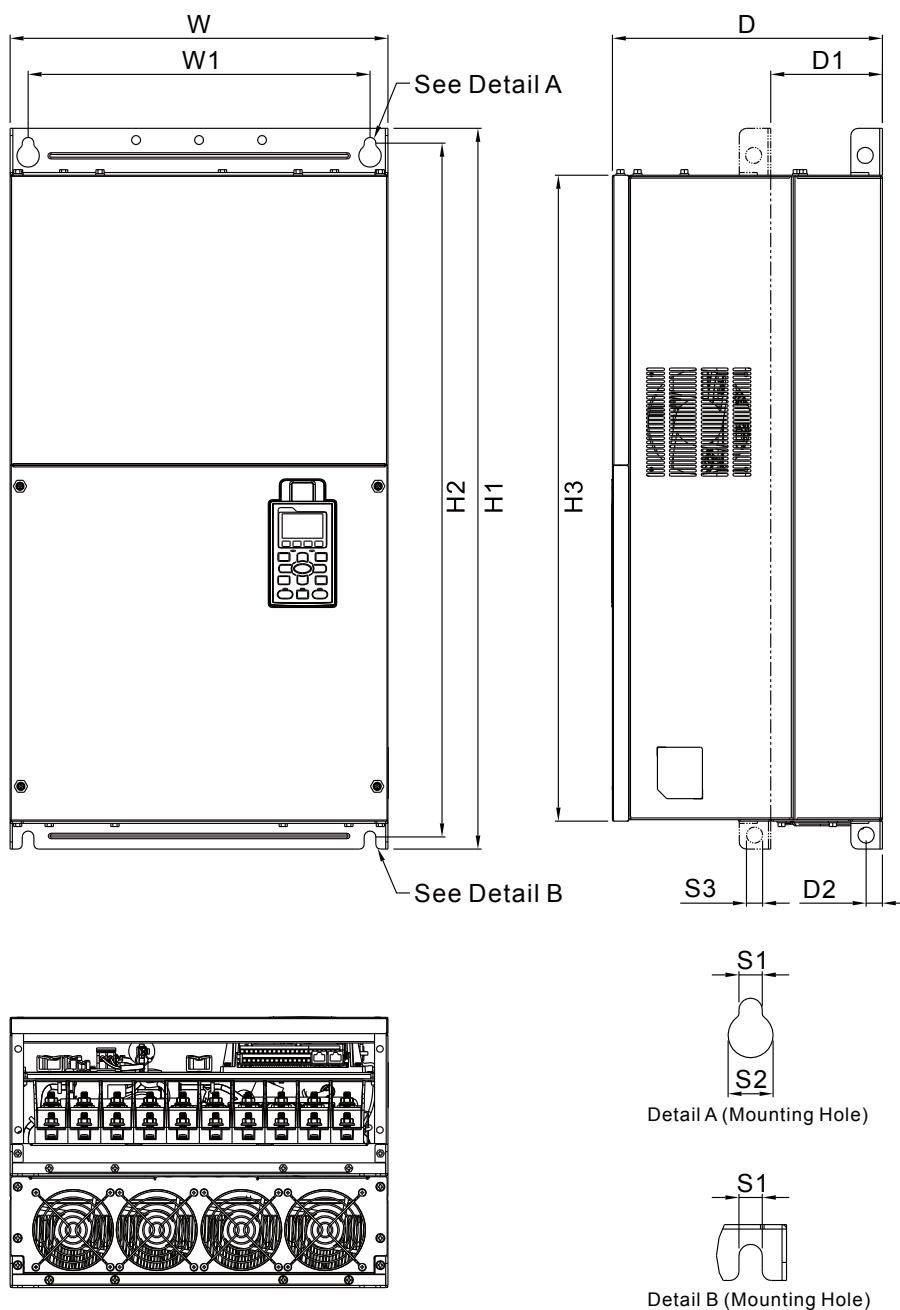
VFD450C23E	VFD750C63B-21
VFD550C23E	VFD900C63B-21
VFD750C23E	VFD1100C63B-21
VFD900C43E	VFD1320C63B-21
VFD1100C43E	

Frame	W	H	D	W1	H1	H2	H3	D1*	D2	S1	S2	S3	Ø1	Ø2	Ø3
E2	mm	370.0	715.8	300.0	335.0	589.0	560.0	143.0	18.0	13.0	13.0	18.0	22.0	34.0	92.0
	inch	14.57	28.18	11.81	13.19	23.19	22.05	20.80	5.63	0.71	0.51	0.51	0.71	1.34	3.62

*D1: Flange mount.



Frame F



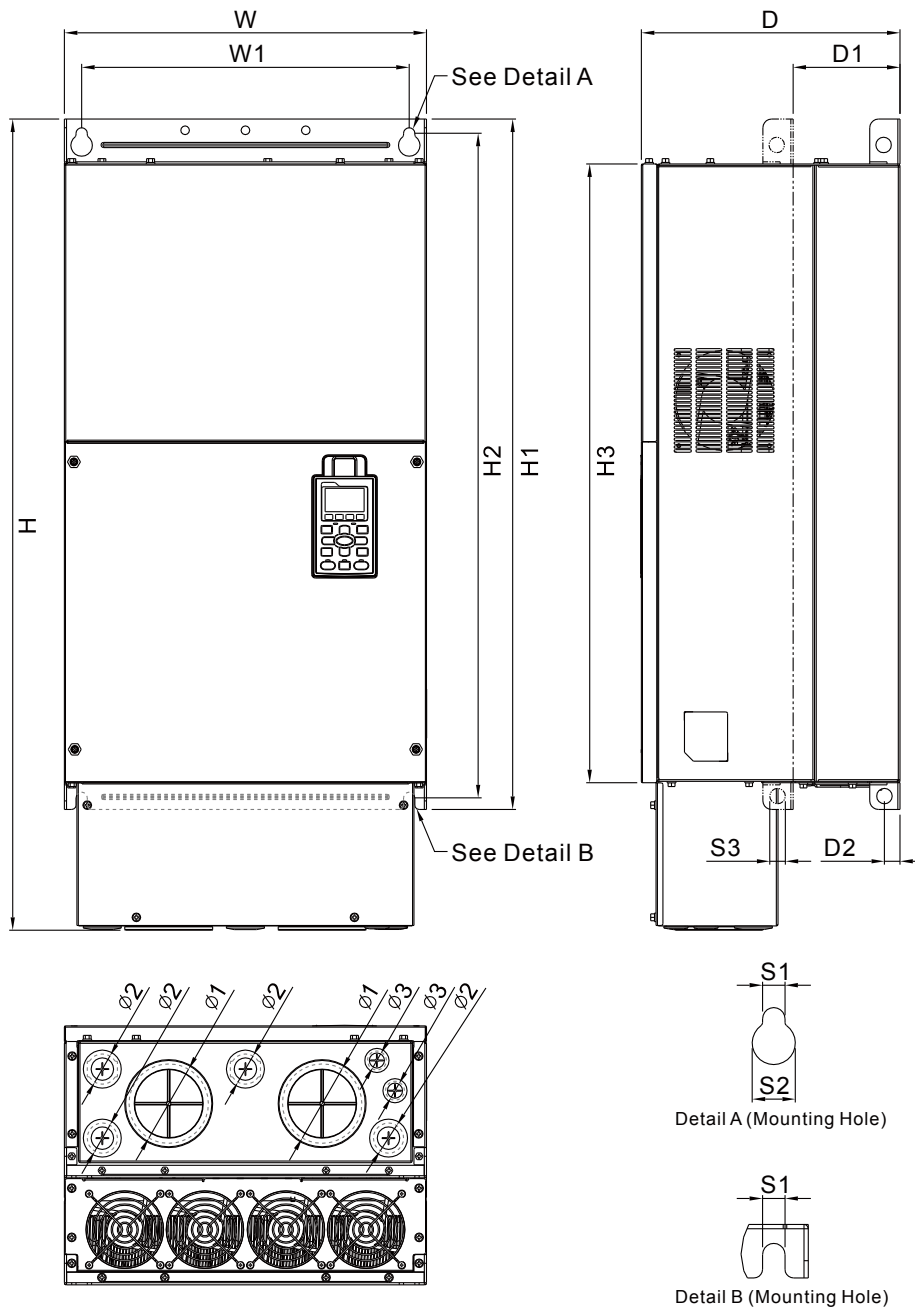
MODEL
FRAME_F1

- VFD900C23A
- VFD1320C43A
- VFD1600C43A
- VFD1600C63B-00
- VFD2000C63B-00

Frame	W	H	D	W1	H1	H2	H3	D1*	D2	S1	S2	S3	Ø1	Ø2	Ø3
F1	mm	420.0	-	300.0	380.0	800.0	770.0	124.0	18.0	13.0	25.0	18.0	92.0	35.0	22.0
	inch	16.54	-	11.81	14.96	31.50	30.32	4.88	0.71	0.51	0.98	0.71	3.62	1.38	0.87

*D1: Flange mount.

Frame F



MODEL
FRAME_F2

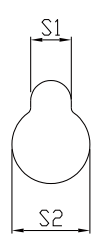
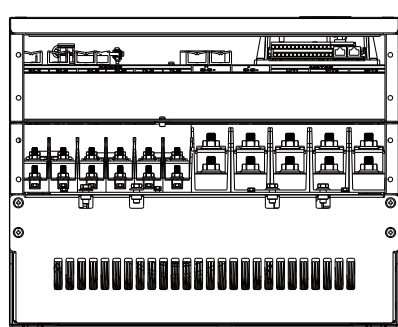
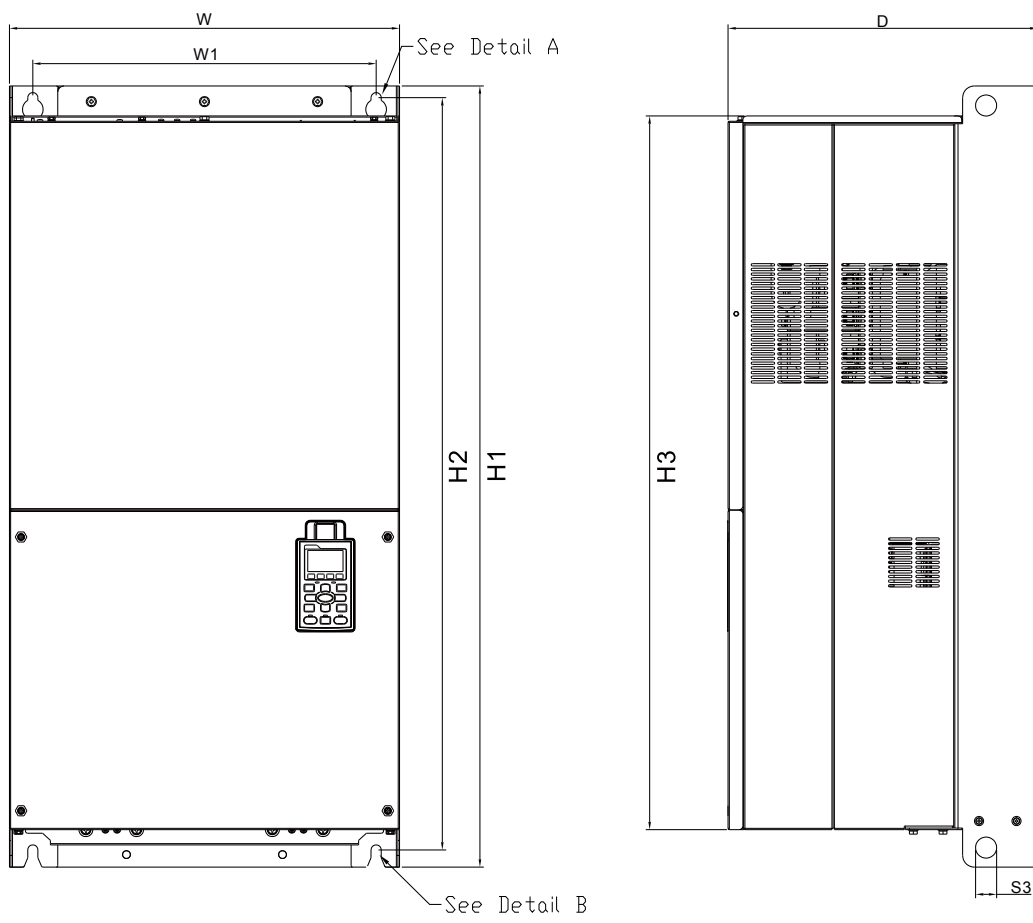
- VFD900C23E
- VFD1320C43E
- VFD1600C43E
- VFD1600C63B-21
- VFD2000C63B-21

Frame	W	H	D	W1	H1	H2	H3	D1*	D2	S1	S2	S3	Ø1	Ø2	Ø3
F2	mm	420.0	940.0	300.0	380.0	800.0	770.0	124.0	18.0	13.0	25.0	18.0	92.0	35.0	22.0
	inch	16.54	37.00	11.81	14.96	31.50	30.32	28.23	4.88	0.71	0.51	0.98	0.71	3.62	1.38

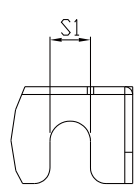
*D1: Flange mount.



Frame G



Detail A (Mounting Hole)

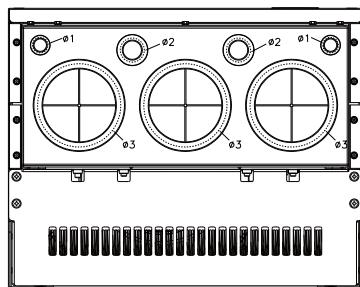
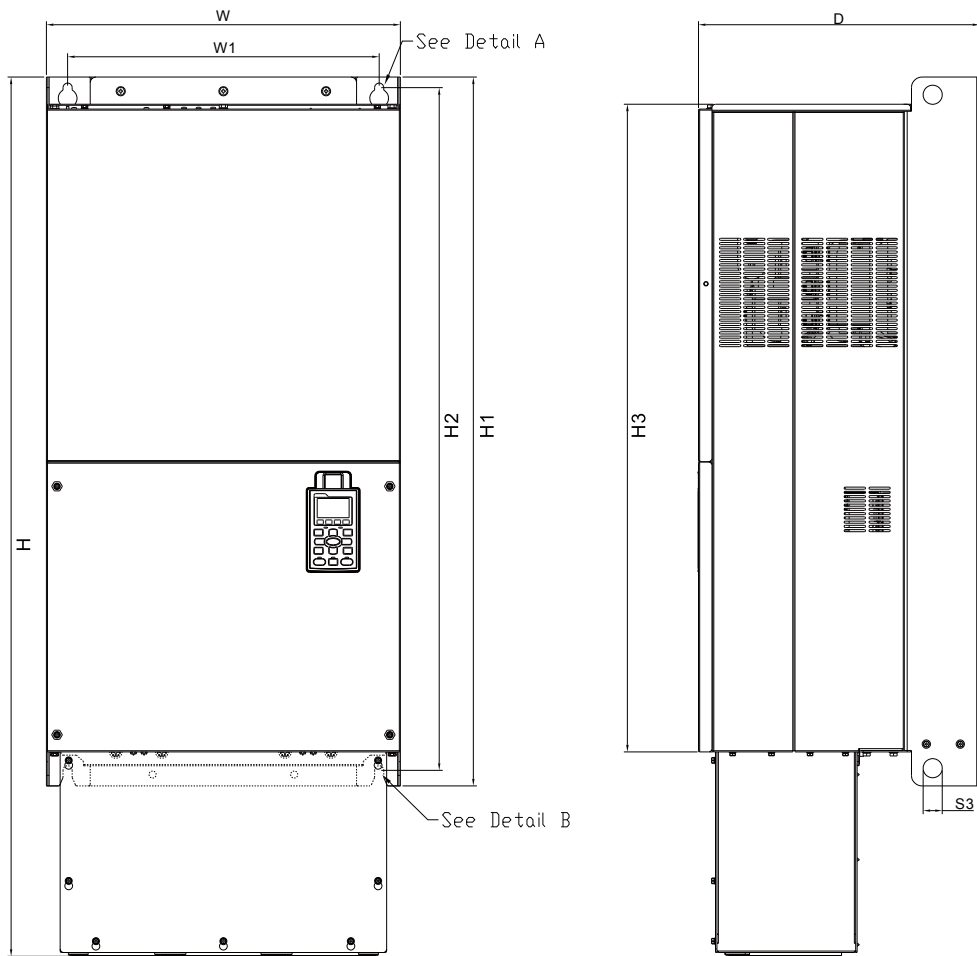


Detail B (Mounting Hole)

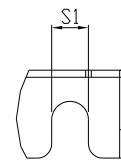
MODEL
FRAME_G1
 VFD1850C43A
 VFD2200C43A
 VFD2500C63B-00
 VFD3150C63B-00

Frame		W	H	D	W1	H1	H2	H3	S1	S2	S3	Ø1	Ø2	Ø3
G1	mm	500.0	-	397.0	440.0	1000.0	963.0	913.6	13.0	26.5	27.0	-	-	-
	inch	19.69	-	15.63	217.32	39.37	37.91	35.97	0.51	1.04	1.06	-	-	-

Frame G



Detail A (Mounting Hole)



Detail B (Mounting Hole)

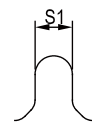
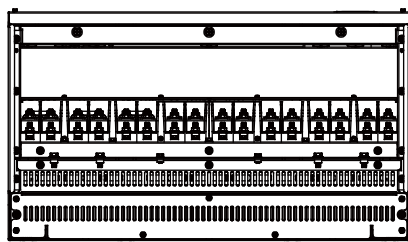
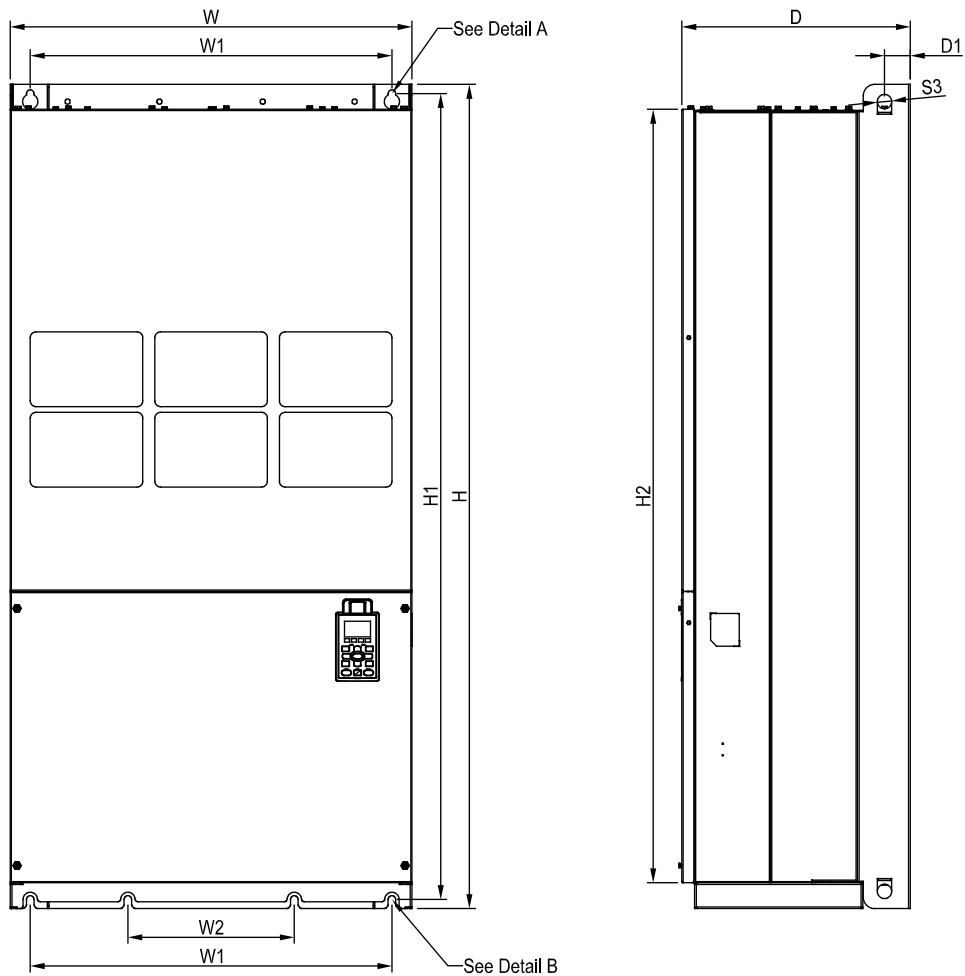
MODEL
FRAME_G2

- VFD1850C43E
- VFD2200C43E
- VFD2500C63B-21
- VFD3150C63B-21

Frame		W	H	D	W1	H1	H2	H3	S1	S2	S3	Ø1	Ø2	Ø3
G2	mm	500.0	1240.2	397.0	440.0	1000.0	963.0	913.6	13.0	26.5	27.0	22.0	34.0	117.5
	inch	19.69	48.83	15.63	217.32	39.37	37.91	35.97	0.51	1.04	1.06	0.87	1.34	4.63



Frame H1



See Detail A (Mounting Hole)

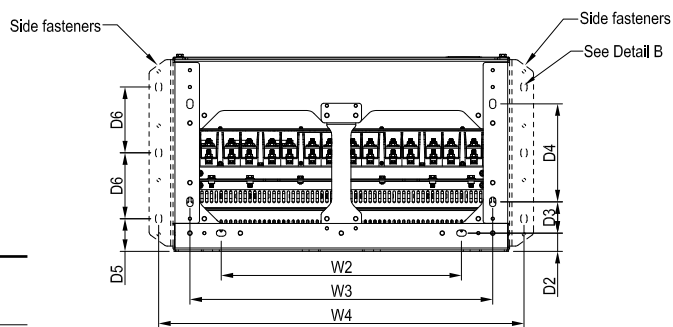
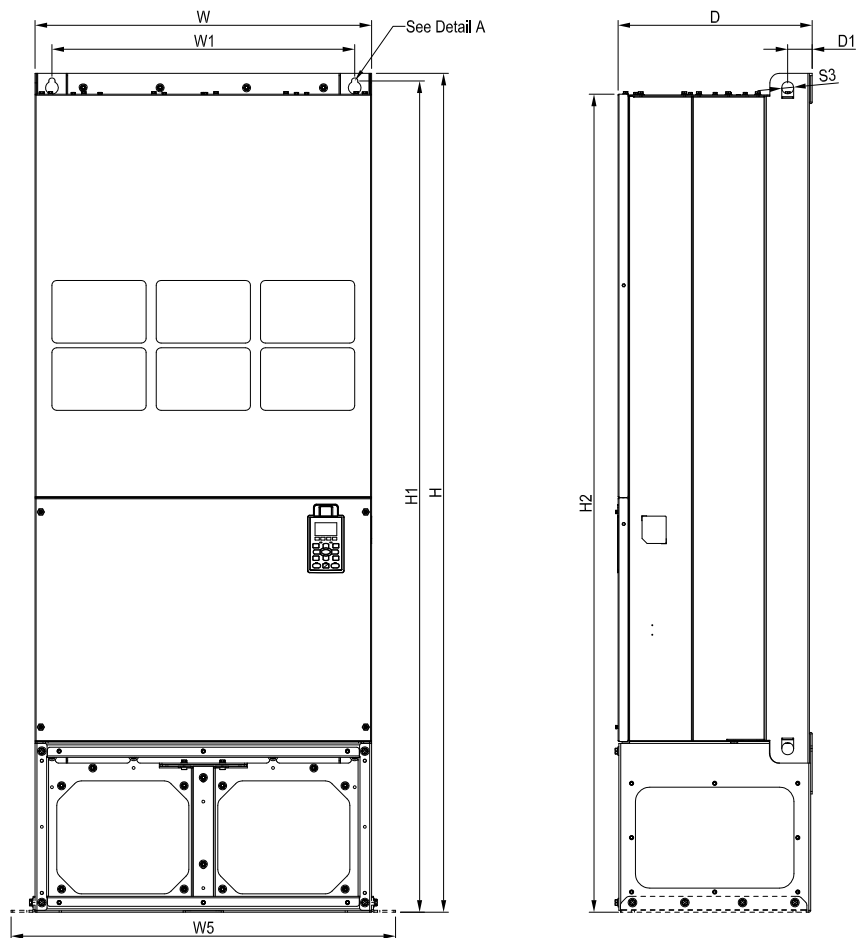
See Detail B (Mounting Hole)

MODEL
FRAME_H1

- VFD2800C43A
- VFD3150C43A
- VFD3550C43A
- VFD4500C43A

Frame	W	H	D	W1	W2	W3	W4	W5	W6	H1	H2	H3	H4
H1	mm	700.0	1435.0	398.0	630.0	290.0	-	-	-	1403.0	1346.6	-	-
	inch	27.56	56.50	15.67	24.80	11.42	-	-	-	55.24	53.02	-	-
Frame	H5	D1	D2	D3	D4	D5	D6	S1	S2	S3	Ø1	Ø2	Ø3
H1	mm	-	45.0	-	-	-	-	13.0	26.5	25.0	-	-	-
	inch	-	1.77	-	-	-	-	0.51	1.04	0.98	-	-	-

Frame H2



See Detail A(Mounting Hole)



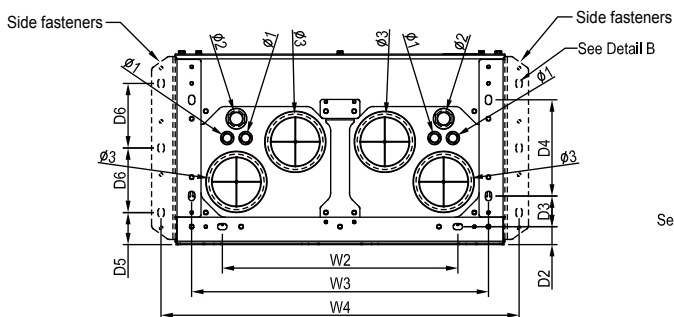
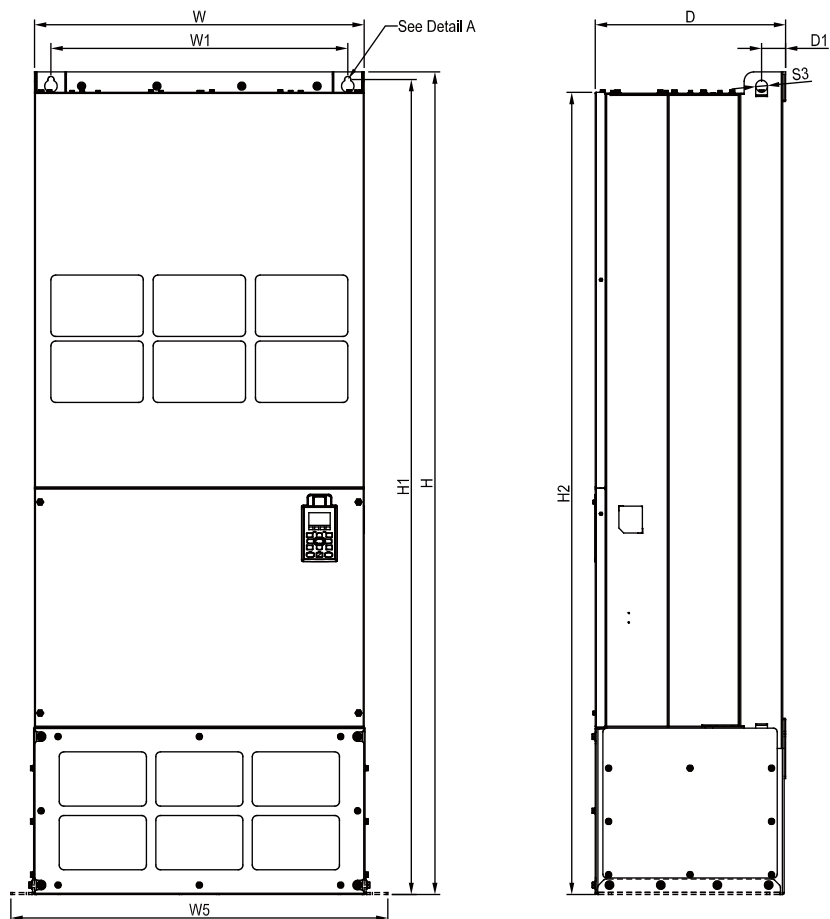
See Detail B(Mounting Hole)

MODEL
FRAME_H2

- VFD2800C43E-1
- VFD3150C43E-1
- VFD3550C43E-1
- VFD4500C43E-1

Frame	W	H	D	W1	W2	W3	W4	W5	W6	H1	H2	H3	H4	
H2	mm	700.0	1745.0	404.0	630.0	500.0	630.0	760.0	800.0	-	1729.0	1701.6	-	-
	inch	27.56	68.70	15.9	24.80	19.69	24.80	29.92	31.50	-	68.07	66.99	-	-
Frame	H5	D1	D2	D3	D4	D5	D6	S1	S2	S3	Ø1	Ø2	Ø3	
H2	mm	-	51.0	38.0	65.0	204.0	68.0	137.0	13.0	26.5	25.0	-	-	-
	inch	-	2.0	1.50	2.56	8.03	2.68	5.4	0.51	1.04	0.98	-	-	-

Frame H3



See Detail A (Mounting Hole)



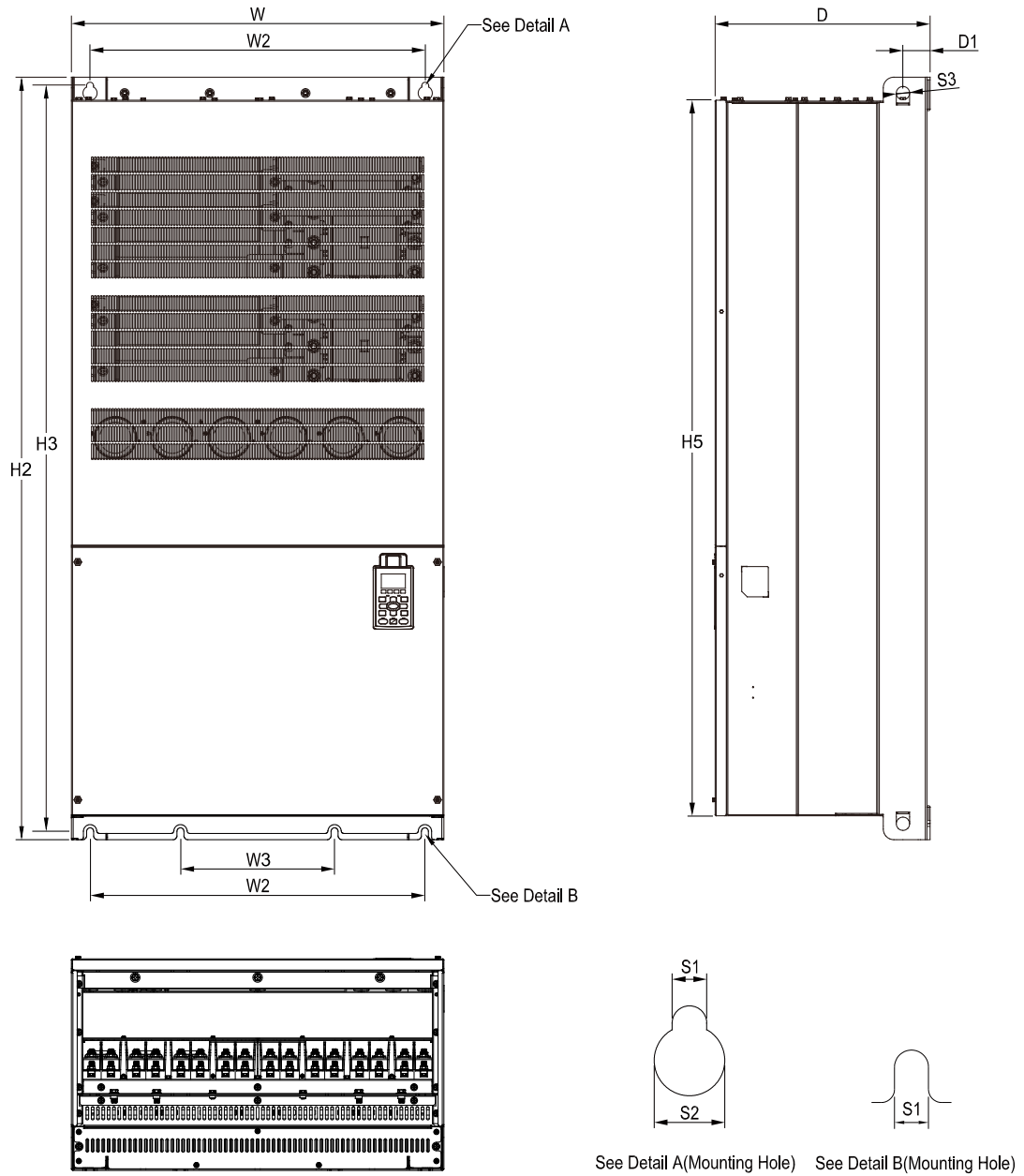
See Detail B (Mounting Hole)

**MODEL
FRAME_H3**

- VFD2800C43E
- VFD3150C43E
- VFD3550C43E
- VFD4500C43E

Frame	W	H	D	W1	W2	W3	W4	W5	W6	H1	H2	H3	H4	
H3	mm	700.0	1745.0	404.0	630.0	500.0	630.0	760.0	800.0	-	1729.0	1701.6	-	-
	inch	27.56	68.70	15.9	24.80	19.69	24.80	29.92	31.50	-	68.07	66.99	-	-
Frame	H5	D1	D2	D3	D4	D5	D6	S1	S2	S3	Ø1	Ø2	Ø3	
H3	mm	-	51.0	38.0	65.0	204.0	68.0	137.0	13.0	26.5	25.0	22.0	34.0	117.5
	inch	-	2.0	1.50	2.56	8.03	2.68	5.4	0.51	1.04	0.98	0.87	1.34	4.63

690 V Frame H1

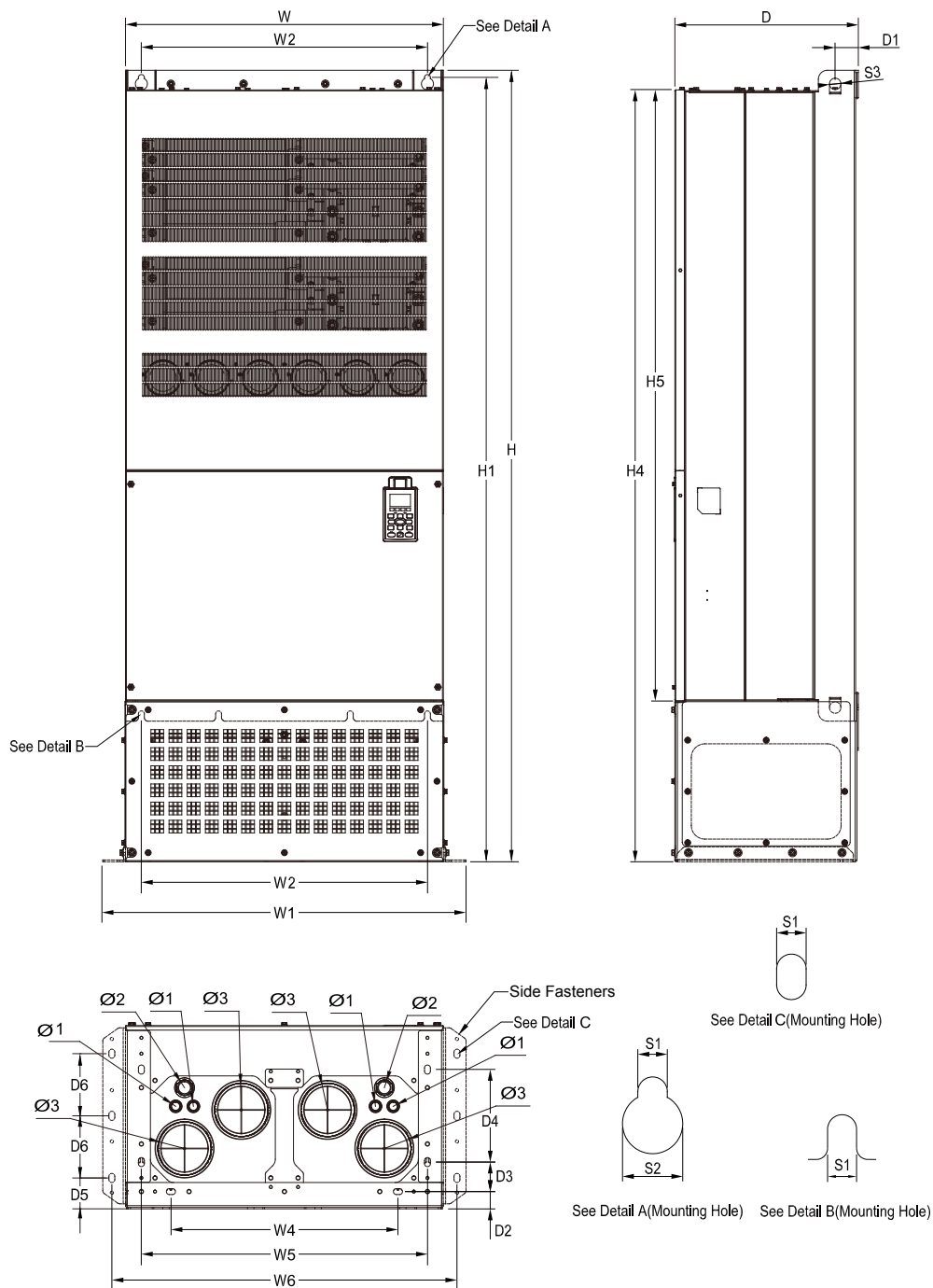


MODEL
690V FRAME_H1

- VFD4000C63B-00
- VFD4500C63B-00
- VFD5600C63B-00
- VFD6300C63B-00

Frame	W	H	D	W1	W2	W3	W4	W5	W6	H1	H2	H3	H4
H1	mm	700.0	-	398.0	-	630.0	290.0	-	-	-	1435.0	1403.0	-
	inch	27.56	-	15.67	-	24.80	11.42	-	-	-	56.50	55.24	-
Frame	H5	D1	D2	D3	D4	D5	D6	S1	S2	S3	Ø1	Ø2	Ø3
H1	mm	1346.6	45.0	-	-	-	-	13.0	26.5	25.0	-	-	-
	inch	53.02	1.77	-	-	-	-	0.51	1.04	0.98	-	-	-

690 V Frame H2




MODEL
690V FRAME_H2

- VFD4000C63B-21
- VFD4500C63B-21
- VFD5600C63B-21
- VFD6300C63B-21

Frame	W	H	D	W1	W2	W3	W4	W5	W6	H1	H2	H3	H4	
H2	mm	700.0	1745.0	404.0	800.0	630.0	-	500.0	630.0	760.0	1729.0	-	-	1701.6
	inch	27.56	68.70	15.91	31.50	24.80	-	19.69	24.80	29.92	68.07	-	-	66.99
Frame	H5	D1	D2	D3	D4	D5	D6	S1	S2	S3	Ø1	Ø2	Ø3	
H2	mm	1346.6	51.0	38.0	65.0	204.0	68.0	137.0	13.0	26.5	25.0	22.0	34.0	117.5
	inch	53.02	2.01	1.50	2.56	8.03	2.68	5.39	0.51	1.04	0.98	0.87	1.34	4.63

Accessories


EMC-PG01L / EMC-PG02L



Set by
Pr.10-00 ~ 10-02

Terminals		Description
PG1	VP	Output voltage for power: +5V/+12V ± 5% (use FSW3 to switch +5V/+12V) Max. output current: 200mA
	DCM	Common for power and signal
	A1, /A1, B1, /B1, Z1, /Z1	Encoder input signal (Line Driver) Open collector input: +5 V / +24 V (Note1) 1-phase or 2-phase input Max. input frequency: EMC-PG01L: 300KHz; EMC-PG02L: 30KHz
PG2	A2, /A2, B2, /B2	Pulse input signal (Line Driver or Open Collector) Open collector input: +5V/+24 V (Note1) 1-phase or 2-phase input Max. input frequency: EMC-PG01L: 300KHz; EMC-PG02L: 30KHz
PG OUT	AO, /AO, BO, /BO, ZO, /ZO, SG	PG card output signals. Division frequency function: 1 ~ 255 times Max. output voltage for Line driver: 5V _{DC} Max. output current: 50 mA Max. output frequency: EMC-PG01L: 300KHz; EMC-PG02L: 30KHz SG: The GND of PG card is the same as the host controller or PLC, so a common output signal is attained.


EMC-PG01O / EMC-PG02O



Set by
Pr.10-00 ~ 10-02

Terminals		Description
PG1	VP	Output voltage for power: +5V/+12V ± 5% (use FSW3 to switch +5V/+12V) Max. output current: 200mA
	DCM	Common for power and signal
	A1, /A1, B1, /B1, Z1, /Z1	Encoder input signal (Line Driver or Open Collector) Open collector input: +5V/+24 V (Note1) 1-phase or 2-phase input Max. input frequency: EMC-PG01O: 300KHz; EMC-PG02O: 30KHz
PG2	A2, /A2, B2, /B2	Pulse input signal (Line Driver or Open Collector) Open collector input: +5V/+24 V (Note1) 1-phase or 2-phase input Max. input frequency: EMC-PG01O: 300KHz; EMC-PG02O: 30KHz
PG OUT	V+, /V-	Needs external power source for PG OUT circuit. Input voltage of power: +12V ~ +24V
	V-	Negative power supply input
	A/O, B/O, Z/O	PG card output signals. Division frequency function: 1 ~ 255 times Add a pull-up resistor to the open collector output signals to avoid signal interferences. [Three pull-up resistors are included in the package (1.8KΩ/1W)] Max. Output current: 20mA Max output frequency: EMC-PG01O: 300KHz; EMC-PG02O: 30KHz

EMC-PG01R




Set by
Pr.10-00 ~ 10-02

Terminals		Description
PG1	R1- R2	Resolver output power 7V _{rms} , 10kHz
	S1, S2, S3, S4	Resolver input signal 3.5 ± 0.175V _{rms} , 10kHz
PG2	A2, /A2, B2, /B2	Pulse input signal (Line Driver or Open Collector) Open collector input: +5V/+24 V (Note1) 1-phase or 2-phase input; Max. input frequency: 300 KHz
PG OUT	AO, /AO, BO, /BO, ZO, /ZO, SG	PG card output signals. Division frequency function: 1 ~ 255 times Max. output voltage for Line driver: 5V _{DC} Max. output current: 50 mA Max. output frequency: 300 KHz SG: The GND of PG card is the same as the host controller or PLC, so a common output signal is attained.

▪ EMC-PG01U / EMC-PG02U

FJMP1 : Standard UVW Output Encoder; : Delta Encoder

		Terminals	Description
 <p>Set by Pr.10-00 ~ 10-02</p>	PG1	VP	Output voltage for power: +5V/+12V ± 5% (use FSW3 to switch +5V/+12V) Max. output current: 200 mA
		DCM	Common for power and signal
		A1, /A1, B1, /B1, Z1, /Z1	Encoder input signal (Line Driver) 1-phase or 2-phase input. Max. input frequency: 300 KHz
		U1, /U1, V1, /V1, W1, /W1	Encoder input signal
	PG2	A2, /A2, B2, /B2	Pulse input signal Open collector input: +5V/+24V (Note1) 1-phase or 2-phase input; Max. input frequency: 300KHZ
	PG OUT	AO, /AO, BO, /BO, ZO, /ZO, SG	PG card output signals. Division frequency function: 1 ~ 255 times Max. output voltage for Line driver: 5V _{DC} Max. output current: 50 mA Max. output frequency: 300 KHz SG: The GND of PG card is the same as the host controller or PLC, so a common output signal is attained.


Note 1: For the Open Collector, set input voltage to 5 ~ 15 mA and install a pull-up resistor

[5 V] Recommend pull-up resistor: 100 ~ 220 Ω, 1/2 W and above


[12 V] Recommend pull-up resistor: 510 ~ 1.35 KΩ, 1/2 W and above

[24 V] Recommend pull-up resistor: 1.8K ~ 3.3 KΩ, 1/2 W and above


▪ EMC-D42A

		Terminals	Description
 <p>I/O Extension Card</p>		COM	Common for multi-function input terminals Select SINK (NPN)/SOURCE (PNP) in J1 jumper/external power supply
		MI10 ~ MI13	Refer to Pr. 02-26 ~ Pr. 02-29 to program the multi-function inputs MI10 ~ MI13. Internal power is applied from terminal E24: +24V _{DC} ± 5% 200 mA, 5 W External power +24 V _{DC} : max. voltage 30 V _{DC} , min. voltage 19 V _{DC} , 30 W ON: the activation current is 6.5 mA; OFF: leakage current tolerance is 10 μA
		MO10 ~ MO11	Multi-function output terminals (photocoupler) Duty-cycle: 50%; Max. output frequency: 100 Hz Max. current: 50 mA; Max. voltage: 48 V _{DC}
		MXM	Common for multi-function output terminals MO10, MO11 (photocoupler) Max 48 V _{DC} 50 mA


▪ EMC-D611A

		Terminals	Description
 <p>I/O Extension Card</p>		AC	AC power common for multi-function input terminal (Neutral)
		MI10 ~ MI15	Refer to Pr. 02-26 ~ Pr. 02-31 for multi-function input selection Input voltage: 100 ~ 130 V _{AC} ; Input frequency: 57 ~ 63 Hz Input impedance: 27 KΩ Terminal response time: ON: 10 ms; OFF: 20 ms


EMC-R6AA

	Terminals	Description
 <p data-bbox="150 613 309 665">Relay Extension Card</p>	<p data-bbox="363 562 485 600">RA10 ~ RA15 RC10 ~ RC15</p>	<p data-bbox="552 483 1075 506">Refer to Pr. 02-36 ~ Pr. 02-41 for multi-function output selection</p> <p data-bbox="552 508 671 524">Resistive load:</p> <p data-bbox="552 526 708 546">3A (N.O.) / 250 V_{AC}</p> <p data-bbox="552 548 699 568">5A (N.O.) / 30 V_{DC}</p> <p data-bbox="552 571 756 591">Inductive load (COS 0.4)</p> <p data-bbox="552 593 724 613">2.0A (N.O.) / 250 V_{AC}</p> <p data-bbox="552 616 724 636">2.0A (N.O.) / 30 V_{DC}</p> <p data-bbox="552 638 1390 680">It is used to output each monitor signal, such as for drive in operation, frequency attained or overload indication.</p>

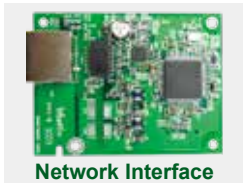
EMC-A22A

	Terminals	Description
 <p data-bbox="150 1211 304 1263">Analog I/O extension card</p>	<p data-bbox="363 1039 416 1077">AVI10 AVI11</p>	<p data-bbox="552 1005 1417 1028">Refer to Pr. 14-00 ~ Pr. 14-01 for function selection (input), and Pr. 14-18 ~ Pr. 14-19 for mode selection.</p> <p data-bbox="552 1030 1398 1052">There are two sets of AVI port, SSW3(AVI10) and SSW4(AVI11), which can be switched to AVI or ACI.</p> <p data-bbox="552 1055 699 1077">AVI: Input 0 ~ 10V</p> <p data-bbox="552 1079 815 1102">ACI: Input 0 ~ 20mA / 4 ~ 20mA</p>
	<p data-bbox="363 1205 424 1243">AFM10 AFM11</p>	<p data-bbox="552 1173 1430 1196">Refer to Pr. 14-12 ~ Pr. 14-13 for function selection (output), and Pr. 14-36 ~ Pr. 14-37 for mode selection.</p> <p data-bbox="552 1198 1449 1220">There are two sets of AFM port, SSW1(AFM10) and SSW2(AFM11), which can be switched to AVO or ACO.</p> <p data-bbox="552 1223 751 1245">AVO: Output 0 ~ 10.00V</p> <p data-bbox="552 1247 884 1270">ACO: Output 0 ~ 20.0mA / 4.0 ~ 20.0mA</p>
	<p data-bbox="363 1335 405 1350">ACM</p>	<p data-bbox="552 1335 810 1357">Analog signal common terminal</p>

EMC-BPS01

	Terminals	Description
 <p data-bbox="150 1823 261 1874">24V Power Shift Card</p>	<p data-bbox="363 1776 448 1798">24V GND</p>	<p data-bbox="552 1711 1455 1753">When the AC motor drive power is off, the external power supply card provides external power to the network system, PLC function, and other functions to allow continued operations.</p> <p data-bbox="552 1756 751 1778">Input power: 24 V_{DC} ±5%</p> <p data-bbox="552 1780 791 1803">Maximum input current: 0.5A</p> <p data-bbox="552 1805 584 1821">Note:</p> <p data-bbox="552 1823 1382 1843">Do not connect the control terminal +24V (Digital control signal common: SOURCE) directly to the EMC-BPS01 input terminal 24V.</p> <p data-bbox="552 1845 1086 1865">Do not connect control terminal GND directly to the EMC-BPS01 input terminal GND.</p>

▪ CMC-EIP01



Network Interface

Features

- ▶ Support EtherNet/IP and MODBUS TCP protocol
- ▶ User-defined parameter mapping
- ▶ IP Filter, basic firewall function

Network Interface

Interface	RJ-45 with Auto MDI/MDIX	Transmission speed	10/100Mbps Auto-Detect
Number of ports	1 Port	Network protocol	ICMP, IP, TCP, UDP, DHCP, BOOTP, SMTP, EtherNet/IP, Modbus TCP
Transmission method	IEEE 802.3, IEEE 802.3u		
Transmission cable	Category 5e shielding 100 M		

▪ CMC-EC01

NEW



Features

- ▶ Supports EthernetCAT protocol
- ▶ Supports standard CiA402 speed mode
- ▶ Supports SDO (Service Data Objects) function:
 - To write motor drive parameters
 - To read motor drive information
- ▶ Auto shutdown function for interruptions during data transmission

Network Interface

Interface	RJ-45	Transmission speed	100Mbps
Number of ports	2 Ports	Network protocol	EtherCAT
Transmission method	IEEE 802.3, IEEE 802.3u		
Transmission cable	Category 5e shielding 100 M		

▪ CMC-PN01

NEW



Features

- ▶ Supports PROFINET IO device
- ▶ Supports synchronous data transmission and synchronous parameter access
- ▶ Provides GSDML file for PROFINET communication

Network Interface

Interface	RJ-45	Transmission Cable	Category 5e shielding 100M
Number of Ports	2 Ports	Transmission Speed	10/100 Mbps auto-negotiate
Transmission Method	IEEE 802.3	Network Protocol	PROFINET

▪ CMC-PD01



Features

- ▶ Supports PROFIBUS DP protocol
- ▶ Supports PZD control data exchange
- ▶ Supports PKW polling AC motor drive parameters
- ▶ Supports user diagnosis function
- ▶ Auto-detects baud rates; supports Max. 12Mbps

PROFIBUS DP Connector

Interface	DB9 connector
Transmission method	High-speed RS-485
Transmission cable	Shielded twisted pair cable
Electrical isolation	500 V _{DC}

Communication

Message type	Cyclic data exchange
Module name	CMC-PD01
GSD document	DELA08DB.GSD
Company ID	08DB (HEX)
Serial transmission speed supported (auto-detection)	9.6 kbps; 19.2 kbps; 93.75 kbps; 187.5 kbps; 125 kbps; 250 kbps; 500 kbps; 1.5 Mbps; 3 Mbps; 6 Mbps; 12 Mbps (bits per second)

▪ CMC-DN01



Features

- ▶ Supports all baud rates on DeviceNet bus: 125 kbps, 250 kbps, 500 kbps and extendable serial transmission speed mode
- ▶ Based on the high-speed communication interface of Delta HSSP protocol, able to conduct immediate control of an AC motor drive
- ▶ Supports Group 2 only connection and polling I/O data exchange
- ▶ For I/O mapping, supports Max. 32 words of input and 32 words of output
- ▶ Supports EDS file configuration in DeviceNet configuration software
- ▶ Node address and serial transmission speed can be set up on an AC motor drive
- ▶ Power supplied from an AC motor drive

DeviceNet Connector

Interface	5-Pin 5.08mm pluggable connector
Transmission method	CAN
Transmission cable	Shielded twisted pair cable (with 2 power cables)
Transmission speed	125 kbps, 250 kbps, 500 kbps and extendable serial transmission speed mode
Network protocol	DeviceNet protocol

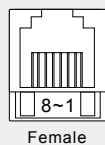
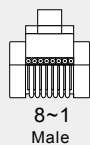
DeviceNet Connector

Interface	50 PIN communication terminal
Transmission method	SPI communication
Terminal function	1. Communicating with AC motor drive 2. Transmitting power supply from AC motor drive
Communication protocol	Delta HSSP protocol

▪ EMC-COP01

Built-in EMC-COP01 card is available for VFDXXXC23E and VFDXXXC43E

RJ-45 Pin definition



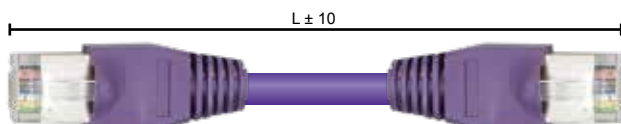
Pin	Pin name	Definition
1	CAN_H	CAN_H bus line (dominant high)
2	CAN_L	CAN_L bus line (dominant low)
3	CAN_GND	Ground/0V/V-
6	CAN_GND	Ground/0V/V-

Accessories

Delta Standard Fieldbus Cables

Delta Cables	Part Number	Description	Length
CANopen Cable	UC-CMC003-01A	CANopen cable, RJ45 connector	0.3m
	UC-CMC005-01A	CANopen cable, RJ45 connector	0.5m
	UC-CMC010-01A	CANopen cable, RJ45 connector	1m
	UC-CMC015-01A	CANopen cable, RJ45 connector	1.5m
	UC-CMC020-01A	CANopen cable, RJ45 connector	2m
	UC-CMC030-01A	CANopen cable, RJ45 connector	3m
	UC-CMC050-01A	CANopen cable, RJ45 connector	5m
	UC-CMC100-01A	CANopen cable, RJ45 connector	10m
	UC-CMC200-01A	CANopen cable, RJ45 connector	20m
DeviceNet Cable	UC-DN01Z-01A	DeviceNet cable	305m
	UC-DN01Z-02A	DeviceNet cable	305m
EtherNet Cable	UC-EMC003-02A	EtherNet/EtherCAT cable, Shielding	0.3m
	UC-EMC005-02A	EtherNet/EtherCAT cable, Shielding	0.5m
	UC-EMC010-02A	EtherNet/EtherCAT cable, Shielding	1m
	UC-EMC020-02A	EtherNet/EtherCAT cable, Shielding	2m
	UC-EMC050-02A	EtherNet/EtherCAT cable, Shielding	5m
	UC-EMC100-02A	EtherNet/EtherCAT cable, Shielding	10m
	UC-EMC200-02A	EtherNet/EtherCAT cable, Shielding	20m
CANopen/DeviceNet TAP	TAP-CN01	1 in 2 out, built-in 121Ω terminal resistor	1 in 2 out
	TAP-CN02	1 in 4 out, built-in 121Ω terminal resistor	1 in 4 out
	TAP-CN03	1 in 4 out, RJ45 connector, built-in 121Ω terminal resistor	1 in 4 out
PROFIBUS Cable	UC-PF01Z-01A	PROFIBUS DP cable	305m

Unit: mm



CANopen Breakout Box

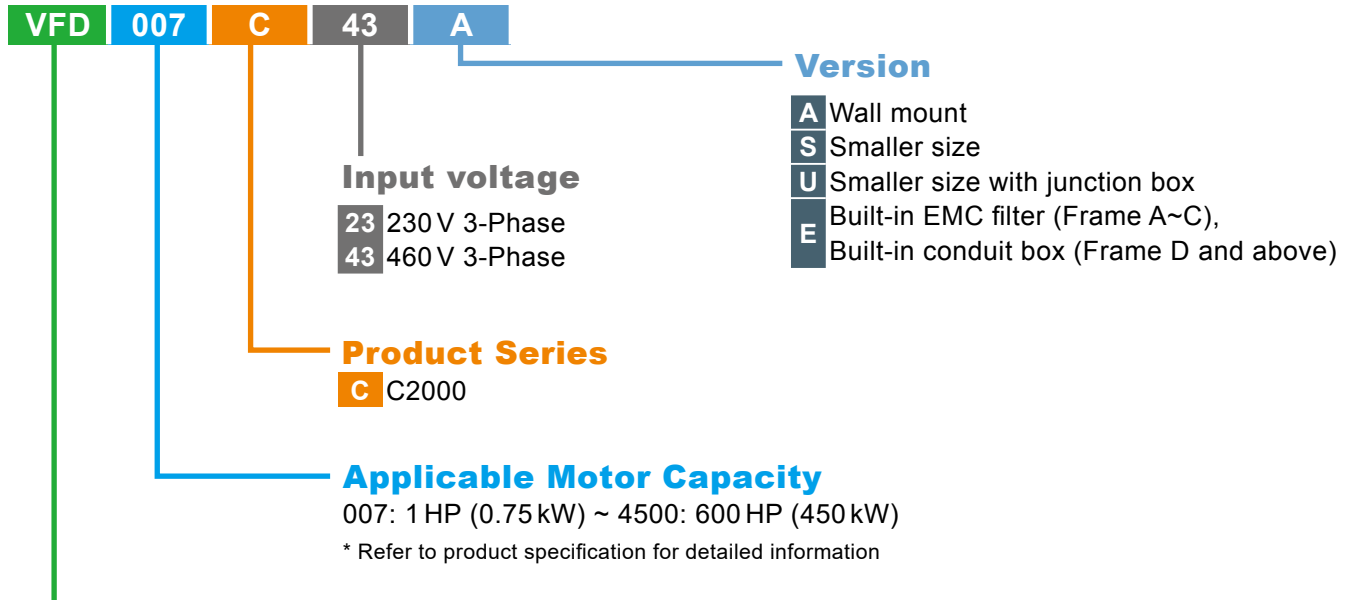
Model: TAP-CN03

Unit: mm [inch]



Model Name

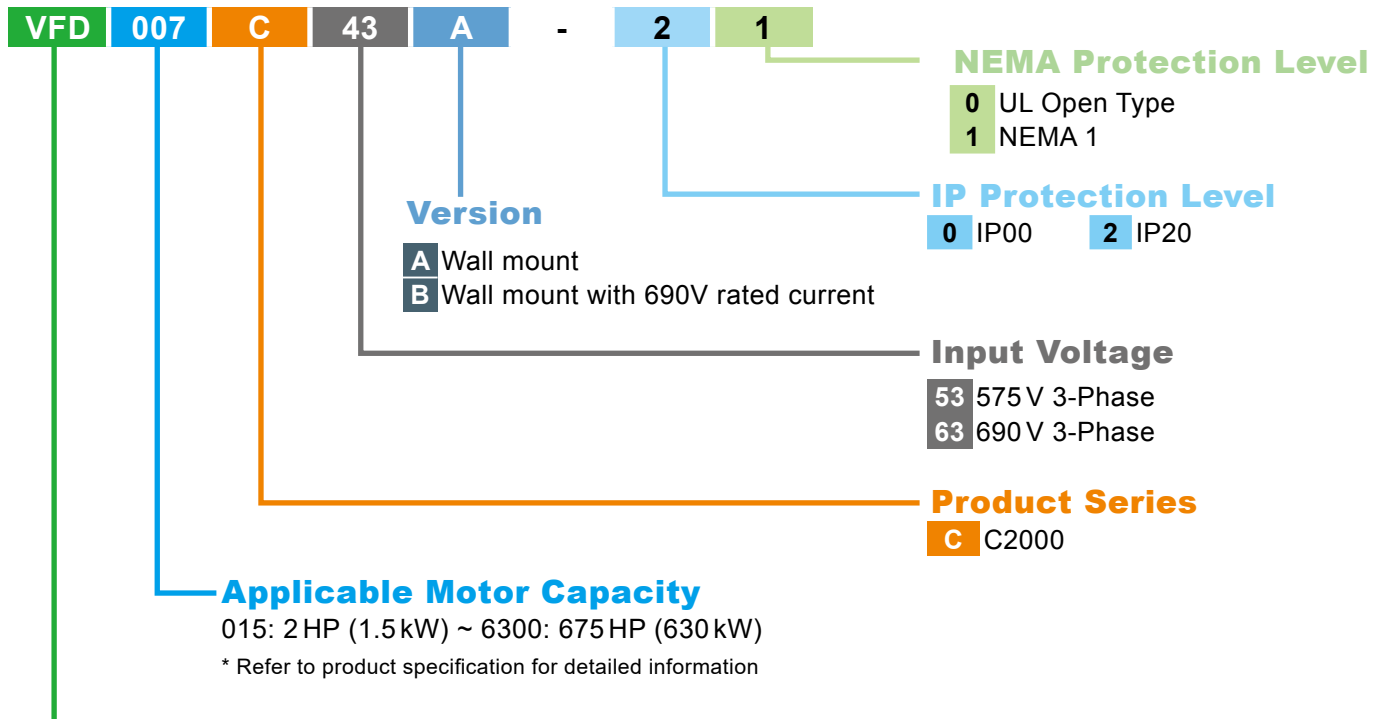
- 230 V / 460 V:



Series Name

Variable Frequency Drive

- 575 V / 690 V:



Series Name

Variable Frequency Drive

Ordering Information

Frame Size		Power Range	Models			
Frame A		230 V: 0.75~3.7kW 460 V: 0.75~5.5kW 575 V: 1.5~3.7kW	VFD007C23A VFD015C23A VFD022C23A VFD037C23A	VFD007C43A VFD015C43A VFD022C43A VFD037C43A VFD040C43A VFD055C43A	VFD007C43E VFD015C43E VFD022C43E VFD037C43E VFD040C43E VFD055C43E	VFD015C53A-21 VFD022C53A-21 VFD037C53A-21
Frame B		230 V: 5.5~11kW 460 V: 7.5~15kW 575 V: 5.5~15kW	VFD055C23A VFD075C23A VFD110C23A	VFD075C43A VFD110C43A VFD150C43A	VFD075C43E VFD110C43E VFD150C43E	VFD055C53A-21 VFD075C53A-21 VFD110C53A-21 VFD150C53A-21
Frame C		230 V: 15~22kW 460 V: 18.5~30kW 690 V: 18.5~37kW	VFD150C23A VFD185C23A VFD220C23A	VFD185C43A VFD220C43A VFD300C43A	VFD185C43E VFD220C43E VFD300C43E	VFD185C63B-21 VFD220C63B-21 VFD300C63B-21 VFD370C63B-21
Frame D		230 V: 30~37kW 460 V: 37~75kW 690 V: 55~75kW	Frame_D1 VFD300C23A VFD370C23A VFD550C43A VFD750C43A VFD450C63B-00 VFD550C63B-00	Frame_D0-1 VFD370C43S VFD450C43S	Frame_D2 VFD300C23E VFD370C23E VFD550C43E VFD750C43E VFD450C63B-21 VFD550C63B-21	Frame_D0-2 VFD370C43U VFD450C43U
Frame E		230 V: 45~75kW 460 V: 90~110kW 690 V: 75~132kW	Frame_E1 VFD450C23A VFD550C23A VFD750C23A VFD900C43A VFD1100C43A VFD750C63B-00 VFD900C63B-00 VFD1100C63B-00 VFD1320C63B-00	Frame_E2 VFD450C23E VFD550C23E VFD750C23E VFD900C43E VFD1100C43E VFD750C63B-21 VFD900C63B-21 VFD1100C63B-21 VFD1320C63B-21		
Frame F		230 V: 90kW 460 V: 132~160kW 690 V: 160~200kW	Frame_F1 VFD900C 23A VFD1320C 43A VFD1600C 43A VFD1600C63B-00 VFD2000C63B-00	Frame_F2 VFD900C 23E VFD1320C 43E VFD1600C 43E VFD1600C63B-21 VFD2000C63B-21		

Frame Size		Power Range	Models		
Frame G		460 V: 185~220 kW 690 V: 250~315 kW	Frame_G1 VFD1850C43A VFD2200C43A VFD2500C63B-00 VFD3150C63B-00	Frame_G2 VFD1850C43E VFD2200C43E VFD2500C63B-21 VFD3150C63B-21	
Frame H		460 V: 280~450 kW	Frame_H1 VFD2800C43A VFD3150C43A VFD3550C43A VFD4500C43A	Frame_H2 VFD2800C43E-1 VFD3150C43E-1 VFD3550C43E-1 VFD4500C43E-1	Frame_H3 VFD2800C43E VFD3150C43E VFD3550C43E VFD4500C43E
Frame H (690 V Model)		690 V: 400~630 kW	Frame_H1 VFD4000C63B-00 VFD4500C63B-00 VFD5600C63B-00 VFD6300C63B-00	Frame_H2 VFD4000C63B-21 VFD4500C63B-21 VFD5600C63B-21 VFD6300C63B-21	



Global Operations

ASIA (Taiwan)



Taoyuan Technology Center (Green Building)



Taoyuan Plant 1



Tainan Plant (Diamond-rated Green Building)

ASIA (China)



Wujiang Plant 3



Shanghai Office



ASIA (Japan)



Tokyo Office

ASIA (India)



Rudrapur Plant
(Green Building)

EUROPE



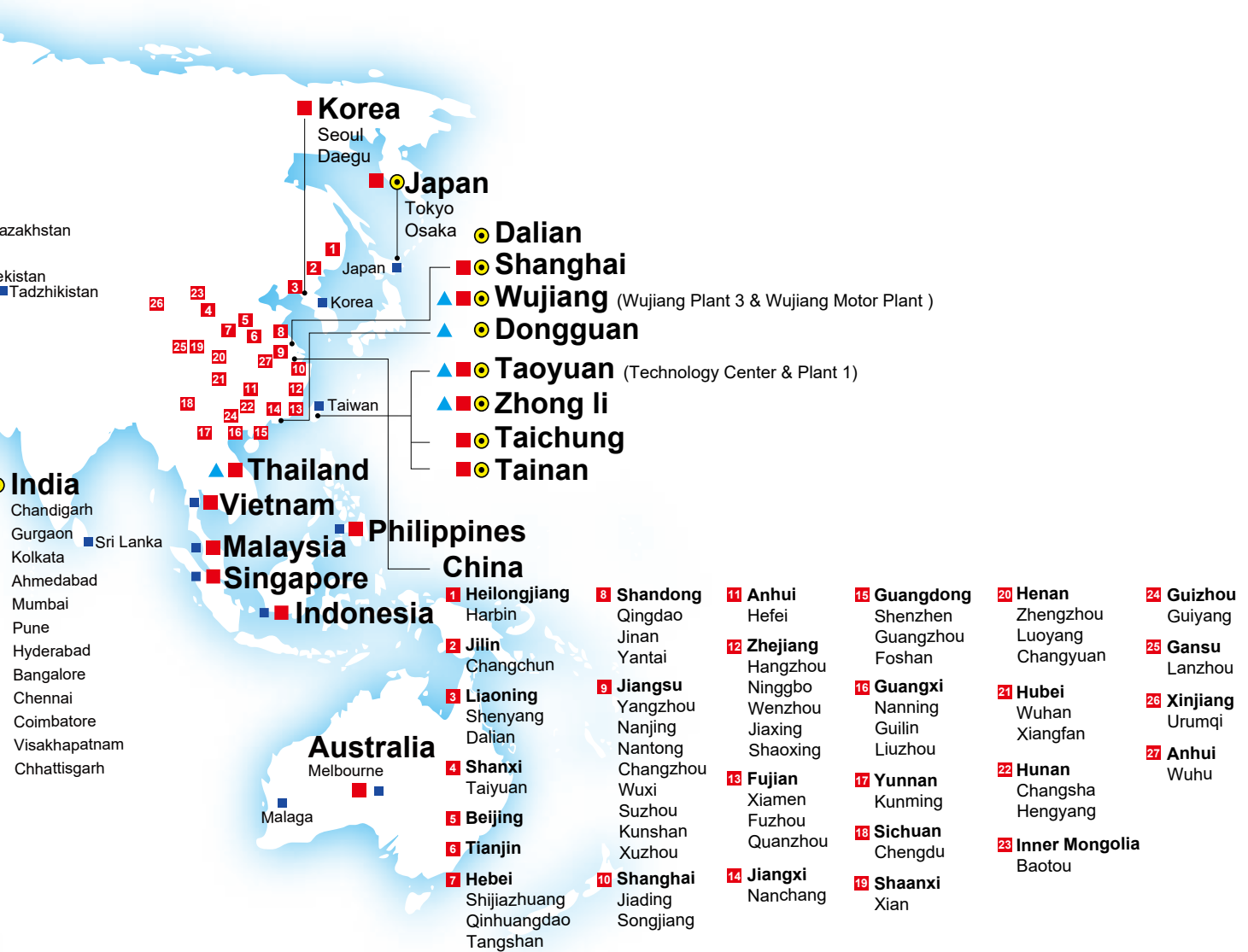
Amsterdam, the Netherlands

AMERICA



Research Triangle Park, U.S.A.

▲ 6 Factories ■ 117 Branch Offices ● 13 R&D Centers ■ 915 Distributors





Industrial Automation Headquarters

Taiwan: Delta Electronics, Inc.

Taoyuan Technology Center
No.18, Xinglong Rd., Taoyuan District,
Taoyuan City 33068, Taiwan
TEL: +886-3-362-6301 / FAX: +886-3-371-6301

Asia

China: Delta Electronics (Shanghai) Co., Ltd.

No.182 Minyu Rd., Pudong Shanghai, P.R.C.
Post code : 201209
TEL: +86-21-6872-3988 / FAX: +86-21-6872-3996
Customer Service: 400-820-9595

Japan: Delta Electronics (Japan), Inc.

Industrial Automation Sales Department
2-1-14 Shibadaimon, Minato-ku
Tokyo, Japan 105-0012
TEL: +81-3-5733-1155 / FAX: +81-3-5733-1255

Korea: Delta Electronics (Korea), Inc.

1511, 219, Gasan Digital 1-Ro., Geumcheon-gu,
Seoul, 08501 South Korea
TEL: +82-2-515-5305 / FAX: +82-2-515-5302

Singapore: Delta Energy Systems (Singapore) Pte Ltd.

4 Kaki Bukit Avenue 1, #05-04, Singapore 417939
TEL: +65-6747-5155 / FAX: +65-6744-9228

India: Delta Electronics (India) Pvt. Ltd.

Plot No.43, Sector 35, HSIIDC Gurgaon,
PIN 122001, Haryana, India
TEL: +91-124-4874900 / FAX: +91-124-4874945

Thailand: Delta Electronics (Thailand) PCL.

909 Soi 9, Moo 4, Bangpoo Industrial Estate (E.P.Z),
Pattana 1 Rd., T.Phraksa, A.Muang,
Samutprakarn 10280, Thailand
TEL: +66-2709-2800 / FAX: +66-2709-2827

Australia: Delta Electronics (Australia) Pty Ltd.

Unit 20-21/45 Normanby Rd., Notting Hill Vic 3168, Australia
TEL: +61-3-9543-3720

Americas

USA: Delta Electronics (Americas) Ltd.

5101 Davis Drive, Research Triangle Park, NC 27709, U.S.A.
TEL: +1-919-767-3813 / FAX: +1-919-767-3969

Brazil: Delta Electronics Brazil

Rua Itapeva, 26 - 3º, andar Edifício Itapeva,
One - Bela Vista 01332-000 - São Paulo - SP - Brazil
TEL: +55-12-3932-2300 / FAX: +55-12-3932-237

Mexico: Delta Electronics International Mexico S.A. de C.V.

Gustavo Baz No. 309 Edificio E PB 103
Colonia La Loma, CP 54060
Tlalnepantla, Estado de México
TEL: +52-55-3603-9200

EMEA

EMEA Headquarters: Delta Electronics (Netherlands) B.V.

Sales: Sales.IA.EMEA@deltaww.com
Marketing: Marketing.IA.EMEA@deltaww.com
Technical Support: iatechnicalsupport@deltaww.com
Customer Support: Customer-Support@deltaww.com
Service: Service.IA.emea@deltaww.com
TEL: +31(0)40 800 3900

BENELUX: Delta Electronics (Netherlands) B.V.

Automotive Campus 260, 5708 JZ Helmond, The Netherlands
Mail: Sales.IA.Benelux@deltaww.com
TEL: +31(0)40 800 3900

DACH: Delta Electronics (Netherlands) B.V.

Coesterweg 45, D-59494 Soest, Germany
Mail: Sales.IA.DACH@deltaww.com
TEL: +49(0)2921 987 0

France: Delta Electronics (France) S.A.

ZI du bois Challand 2, 15 rue des Pyrénées,
Lisses, 91090 Evry Cedex, France
Mail: Sales.IA.FR@deltaww.com
TEL: +33(0)1 69 77 82 60

Iberia: Delta Electronics Solutions (Spain) S.L.U

Ctra. De Villaverde a Vallecas, 265 1º Dcha Ed.
Hormigueras – P.I. de Vallecas 28031 Madrid
TEL: +34(0)91 223 74 20
Carrer Llacuna 166, 08018 Barcelona, Spain
Mail: Sales.IA.Iberia@deltaww.com

Italy: Delta Electronics (Italy) S.r.l.

Via Meda 2-22060 Novedrate(CO)
Piazza Grazioli 18 00186 Roma Italy
Mail: Sales.IA.Italy@deltaww.com
TEL: +39 039 8900365

Russia: Delta Energy System LLC

Vereyskaya Plaza II, office 112 Vereyskaya str.
17 121357 Moscow Russia
Mail: Sales.IA.RU@deltaww.com
TEL: +7 495 644 3240

Turkey: Delta Greentech Elektronik San. Ltd. Sti. (Turkey)

Şerifali Mah. Hendem Cad. Kule Sok. No:16-A
34775 Ümraniye – İstanbul
Mail: Sales.IA.Turkey@deltaww.com
TEL: + 90 216 499 9910

MEA: Eltek Dubai (Eltek MEA DMCC)

OFFICE 2504, 25th Floor, Saba Tower 1,
Jumeirah Lakes Towers, Dubai, UAE
Mail: Sales.IA.MEA@deltaww.com
TEL: +971(0)4 2690148