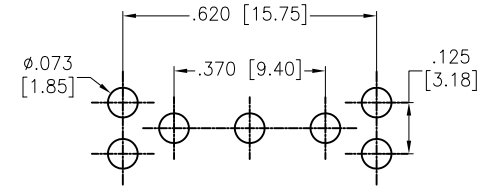
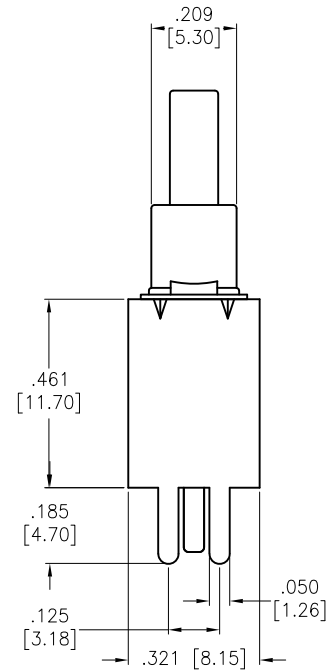
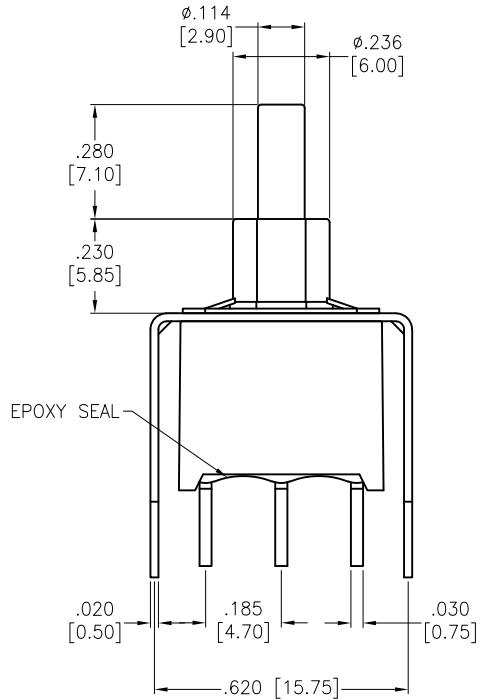
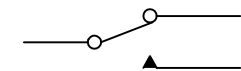


APPROVED: \_\_\_\_\_  
 DATE: \_\_\_\_\_ TITLE: \_\_\_\_\_

Rev	AWO #	Description	Date	Appr
-		RELEASED	2/20/21	
A		UPDATE SPEC.	6/21/21	WX/RC



RECOMMENDED PCB LAYOUT



CIRCUIT DIAGRAM (SPDT) ON-MOMENTARY

**SPECIFICATIONS:**

Material:  
 Movable Contact: Copper Alloy, Silver Plated  
 Terminal: Copper Alloy, Silver Plated with outer layer in gold plating  
 Electrical:  
 Voltage rating: 120VAC or 38VDC  
 Current rating: 1 Amps  
 Contact resistance: 10 m $\Omega$  max  
 Insulation resistance: 1,000 Mohms min  
 Dielectric withstanding voltage: 1,000V RMS @Sea level  
 Mechanical:  
 Waterproof: IP68  
 Temperature Rating:  
 Operating temperature: -30°C to +85°C  
 Environmental:  
 Lead free, RoHS compliant



UNLESS OTHERWISE SPECIFIED ALL DIMENSIONS ARE INCHES [MM] TOLERANCES: EXCEPT AS NOTED INCHES HOLES .X $\pm$ .10 $\phi$ .X $\pm$ .10 .XX $\pm$ .020 $\phi$ .XX $\pm$ .015 .XXX $\pm$ .015 $\phi$ .XXX $\pm$ .010		<b>ADAM TECH</b> 909 Rahway Avenue, Union, NJ 07083 Phone: 908-687-5000 Fax: 908-687-5710	
APPROVALS		DATE	
DRAWN	WX	2/20/21	
CHECKED	AC	2/20/21	
APPROVED		SIZE	PART NO.
		X	SW-PB8-AA00B11GE-2
		REV.	-
REF: S00198T		SCALE: NTS	SHEET 1 OF 1