

PRODUCT NUMBER	PITCH
H5xx00x200J0G	7.62 mm

Dimension

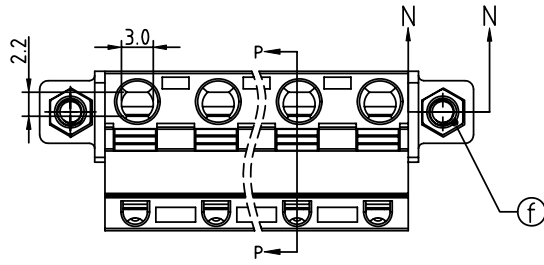
DIM A	$(N-1) \times 7.62 + 5.7$
DIM B	$(N-1) \times 7.62$
DIM C	$(N-1) \times 7.62 + 12.2$
DIM D	$(N-1) \times 7.62 + 18.0$
DIM E	$(N-1) \times 7.62 + 6.02$

N=Number of poles

POLES	Tolerance
2p-6p	±0.20
7p-12p	±0.30
13p-16p	±0.40

PART NO.: H5 xx 0 0 x 2 00J0 G

Solid block	0	Black (RAL9005)	RoHS compliant (lead<4%) In copper Alloy
No. of poles	2	Red (RAL3001/D)	
02	2 poles	3	Orange(RAL2011/P)
03	3 poles	4	Yellow(RAL1018/A)
...	...	5	Green(RAL6018/T)
16	16 poles	6	Blue (RAL5015/A)
		8	Grey(RAL7035/D)
		9	White(RAL1102)
		C	Green(RAL6018/U)



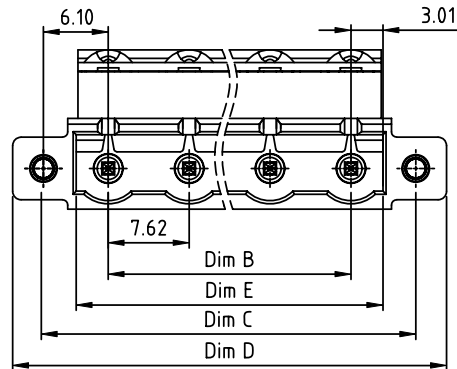
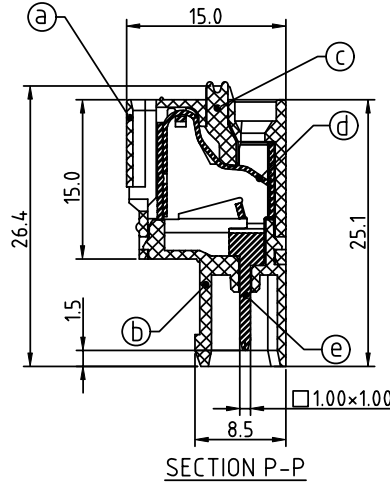
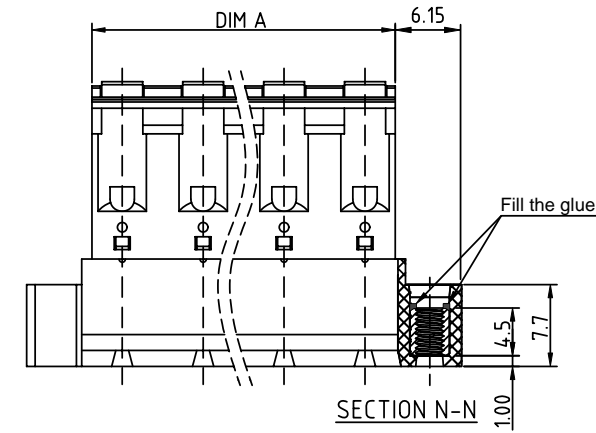
Material:

- Item@Top body:Thermoplastic (UL94V-0)
- Item@Bottom body:Thermoplastic (UL94V-0)
- Item@Terminal lever:Thermoplastic (UL94V-0)Orange (RAL2001/P)
- Item@Spring Clamp:Stainless Steel
- Item@Male contact pin:PhBz (CuSn) Tin plated
- Item@Flange nut:Brass M2.5

Electrical

- Voltage rating: 300V
- Current rating: 10A
- Solid wire(AWG): 12-26
- Stranded wire(AWG): 12-26
- Wire strip length: 9-10mm
- Withstanding Voltage: 1.6KV
- Operating temperature: -40°C to +115°C
- Safety Approval: cULus

cULus



mat'l. code		surface ASME Y14.5	tolerance ASME Y14.5	projection	product family TERMINAL BLOCK
ltr	ecn no	dr	date	 MM scale	title TERMINAL BLOCK SPRING CLAMP, PLUGGABLE PLUG MALE CONNECTOR, FLANGE WITH NUT
tolerances unless otherwise specified					
angles		0	X.±0.5		dwg no H5xx00x200J0G sheet 1 of 1 size A4
X°±1°		0	X.X±0.3		
		0	X.XX±0.1		
dr	EVIN ZHONG	051714		type CUSTOMER Drawing	
enr	EVIN ZHONG	051714			
chr	HANKE FENG	051714			
appd	SHI JUN	051714			
sheet index	revision sheet	A	1		