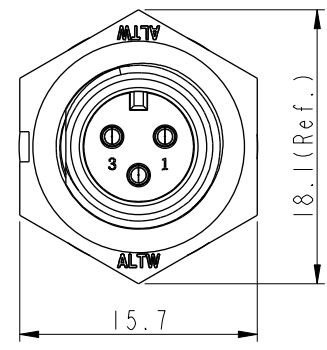
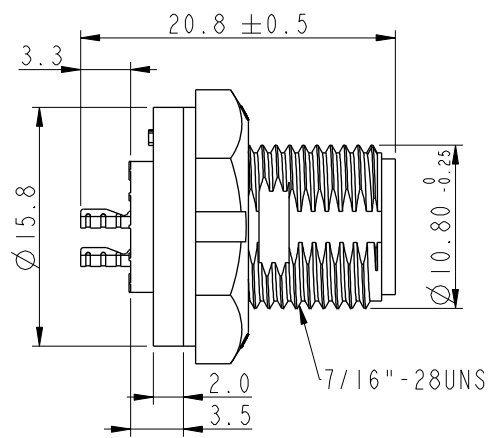
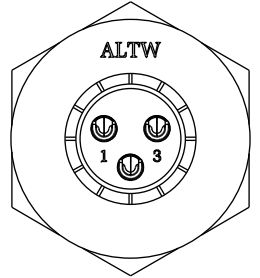
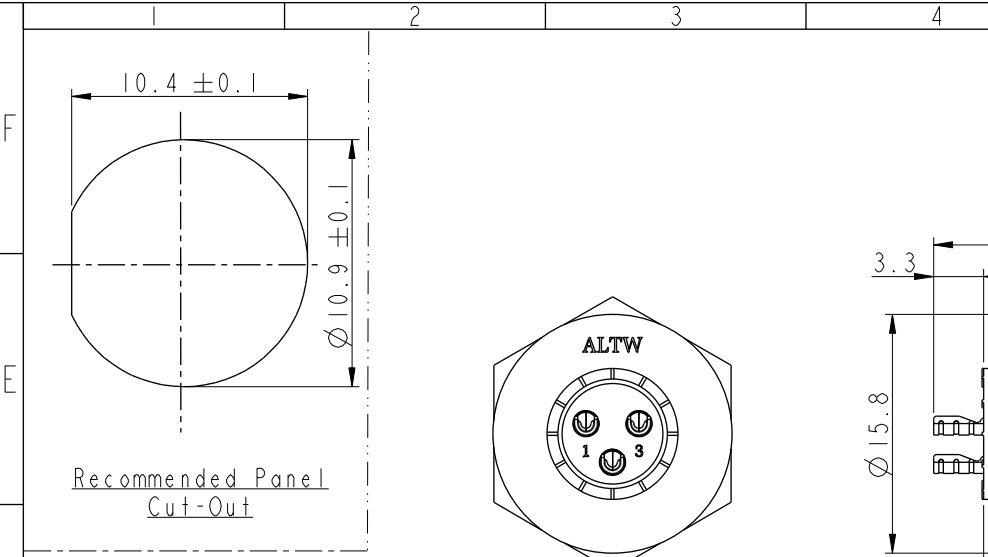
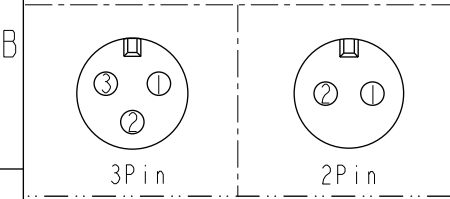
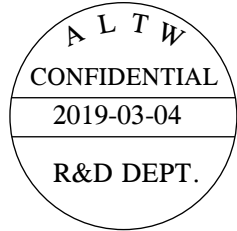
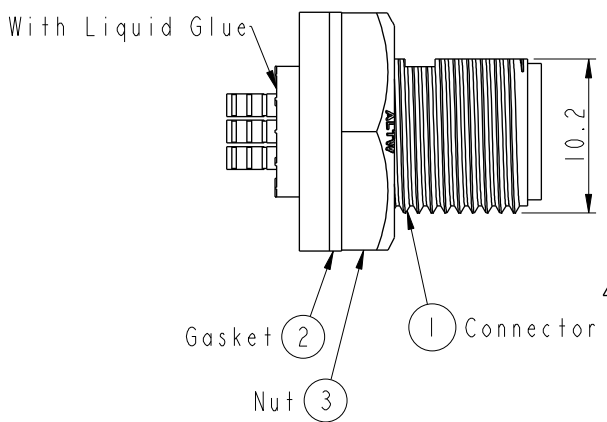


REV.	ECN NO.	DATE	SIGN	DESCRIPTION
B	C190323	2019/03/04	Vicky	Change Note



AAD-XXPMMS-SC7001  
 02: 2Pin  
 03: 3Pin



Pin Assignments Front View

- Note:**
- \*  $\varnothing$  Important Dimension To Check.
  - \* Waterproof Rate: IP67, Unmated.
  - \* Housing: Thermoplastic, Black.
  - \* Pin: Copper Alloy, Gold Plated.
  - \* Nut: Thermoplastic, Black.
  - \* Gasket: Rubber, Gray.
  - \* Use with waterproof cap or dust cap  
Maximum Panel Thickness: 3.3mm
  - \* Use without waterproof cap or dust cap  
Maximum Panel Thickness: 4.5mm
  - \* Gasket and Nut are packed separately in PE bags.  
(Gasket/Nut不組裝, 散裝出貨)

UNIT: mm		TITLE MINI PANEL SCREW M CONN M PIN			ITEM NO	DRAWN BY	DATE
		SCALE 2:1	SIZE A4	SHEET 1 OF 1	DWG NO AAD-XXPMMS-SC7001	CHECKED BY Rita	DATE 2019-03-04
		REV. B	WC-REV. A.1	QC: Inspection item	CUSTOMER ALTW	APPROVED BY Max	DATE 2019-03-04
		<b>Amphenol LTW</b> <b>安費諾亮泰企業股份有限公司</b>					

THIS DOCUMENT IS SUBJECT TO CHANGE WITHOUT NOTICE. IT IS CONFIDENTIAL AND A PROPERTY OF Amphenol LTW. DISCLOSURE TO THIRD PARTY HAS TO BE AUTHORIZED BY Amphenol LTW.