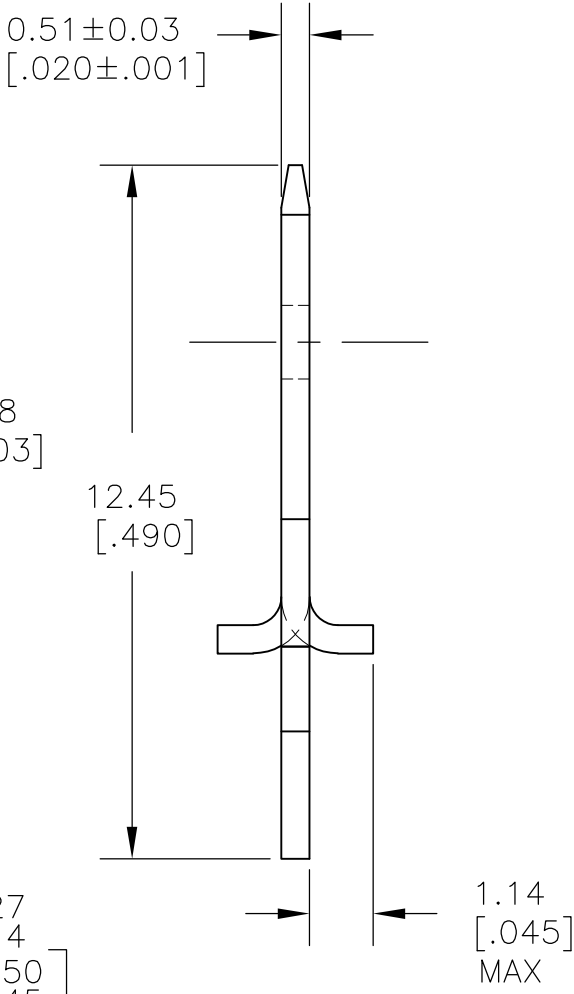
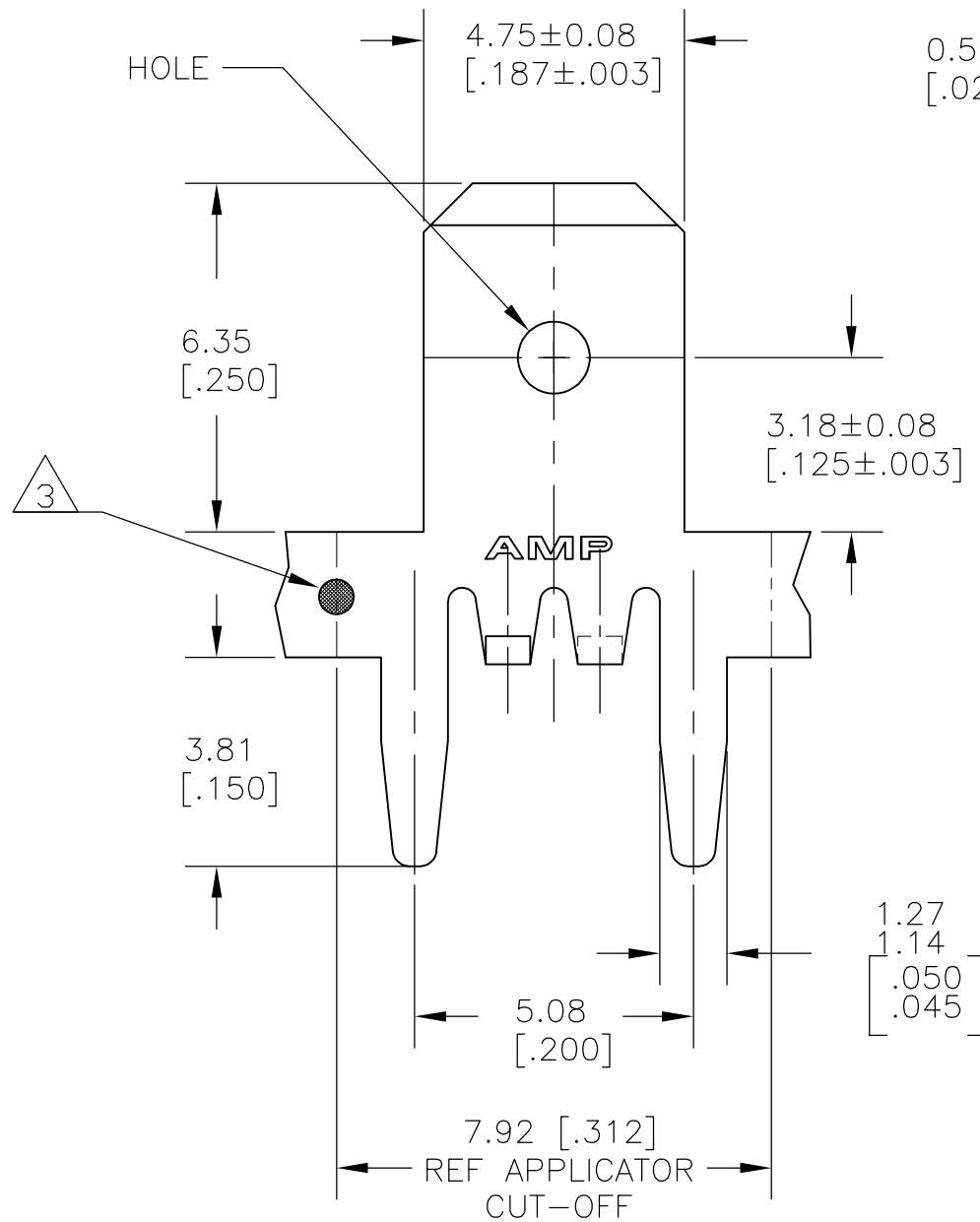
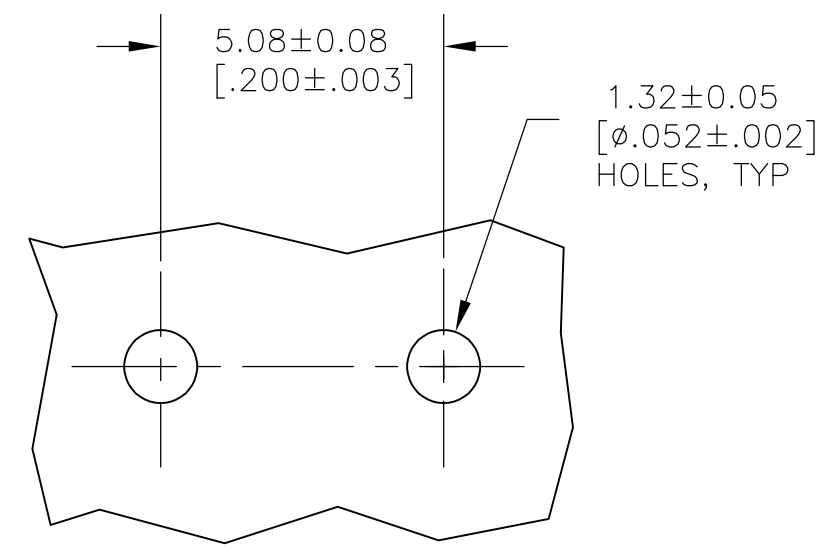


LOC	DIST	REVISIONS					
AF	50	P	LTR	DESCRIPTION	DATE	DWN	APVD
		L		REVISED PER ECR-13-001204	25JUN13	KH	PD



- 1 CONTINUOUS STRIP ON REELS.
- 2 TIN PLATE 0.00381 [.000150] MIN OVER 0.00254 [.000100] MIN COPPER OR TIN PLATE 0.00381 [.000150] MIN THK OVER 0.00127 [.000050] MIN THK NICKEL.
- 3 OPTIONAL ID MARK, LOCATED APPROX AS SHOWN.
- 4 REELED WITH INTERLEAVING PAPER



P.C. BOARD HOLE PATTERN

4	---	63823-4
	63982-1	63823-1
	LOOSE PIECE P/N	PART NO.

THIS DRAWING IS A CONTROLLED DOCUMENT.		DWN JR RUTH 13FEB01	TE Connectivity			
DIMENSIONS: mm[INCHES]		CHK MS FEHER 13FEB01				
TOLERANCES UNLESS OTHERWISE SPECIFIED:		APVD N DEIBERT 13FEB01	NAME			
0 PLC ± - 1 PLC ± - 2 PLC ± 0.25 [.010] 3 PLC ± - 4 PLC ANGLES ± -		PRODUCT SPEC	TAB, FASTON, P.C.BOARD 4.75 [.187]			
MATERIAL BRASS	FINISH 2	APPLICATION SPEC 114-2115	SIZE A3	CAGE CODE 00779	DRAWING NO C-63823	RESTRICTED TO -
CUSTOMER DRAWING			WEIGHT -	SCALE 8:1	SHEET 1 of 1	REV L