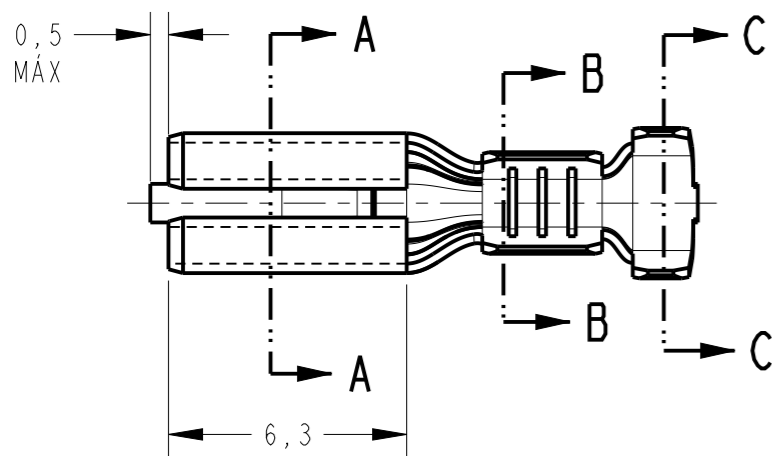


LOC
AP

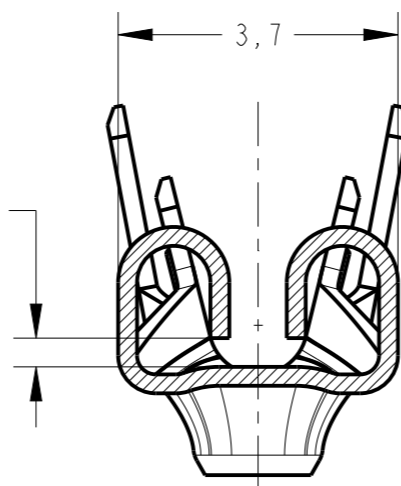
DIST
-

REVISIONS

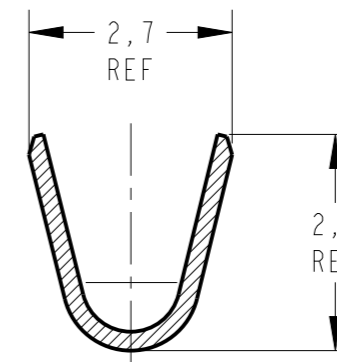
P	LTR	DESCRIPTION	DATE	DWN	APVD
D2		REDRAW BY CAD ECO-12-018945	07NOV2012	NCL	BR
D3		REVISED DRAWING ECO-14-014227	22SEP2014	NCL	MG
D4		REVISED BY ECO 16-003723	29JUN2016	HC	WLS
D5		REVISED PER ECN-21-102345	13APR2021	WLS	BHC



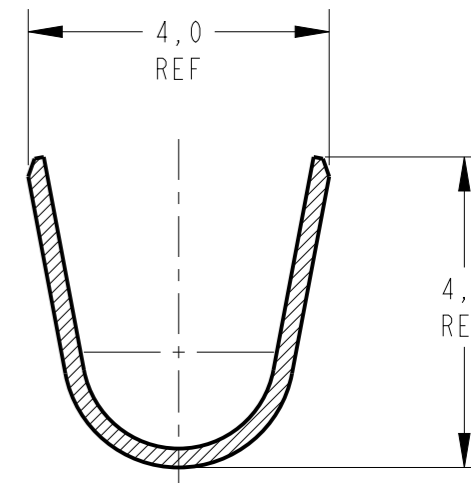
ESPESSURA DO TAB
CONFORME TABELA



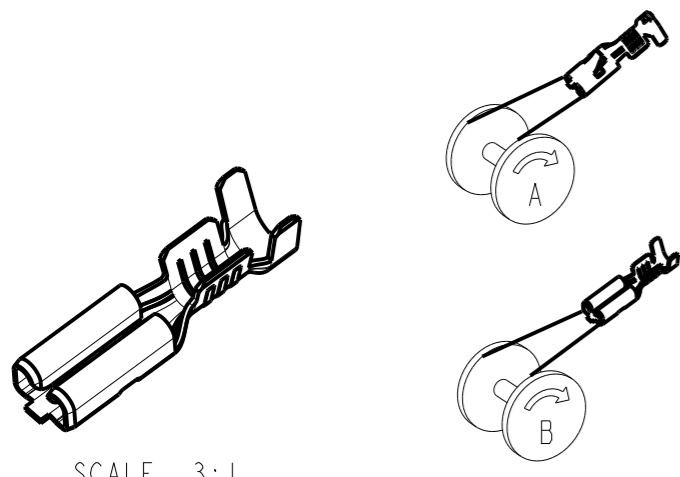
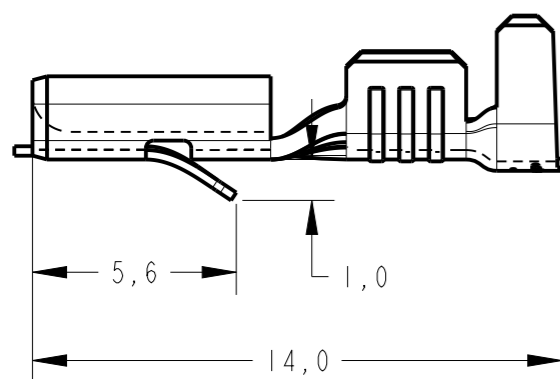
SECTION A-A
SCALE 10:1



SECTION B-B
SCALE 10:1



SECTION C-C
SCALE 10:1

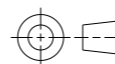


SCALE 3:1

	B	0,5 mm	—	PRE ESTANHADO / PRE-TIN	LATÃO / BRASS	881507 -9
OBSOLETE			0,45mm	PRE ESTANHADO / PRE-TIN	LATÃO / BRASS	881507 -8
OBSOLETE			0,7mm		LATÃO / BRASS	881507 -7
OBSOLETE		0,5mm		PRE ESTANHADO / PRE-TIN	BRONZE FOSF / PHOS BRONZE	881507 -6
	A	0,5mm	—	PRE ESTANHADO / PRE-TIN	LATÃO / BRASS	881507 -5
OBSOLETE					BRONZE FOSF / PHOS BRONZE	881507 -3
OBSOLETE			0,45mm	ESTANHADO / ELETRO-TIN	LATÃO / BRASS	881507 -2
	A	0,5mm	—	—	LATÃO / BRASS	881507 -1
	REELING DIRECTION	ESPESSURA TAB	GAP SIZE	FINISH	MATERIAL	PART NUMBER

THIS DRAWING IS A CONTROLLED DOCUMENT.

DIMENSIONS:
mm



TOLERANCES UNLESS OTHERWISE SPECIFIED:

0 PLC	±0,5
1 PLC	±0,5
2 PLC	±
3 PLC	±
4 PLC	±
ANGLES	±1°

MATERIAL SEE TABLE

FINISH SEE TABLE

DWN 07NOV2012

NCLAPRESA

CHK 07NOV2012

JRGOLDCHMIDT

APVD 07NOV2012

BRIGHETO

PRODUCT SPEC

APPLICATION SPEC

WEIGHT -

Customer Drawing



TE Connectivity

NAME
RECEPTACLE .110 SERIES
FASTIN-FASTON

SIZE	CAGE CODE	DRAWING NO	RESTRICTED TO
A3	00779	881507	-

2,03-3,05	0,5-1,5 mm ²
INS. RANGE	WIRE RANGE

SCALE 5:1 SHEET 1 OF 1 REV D5