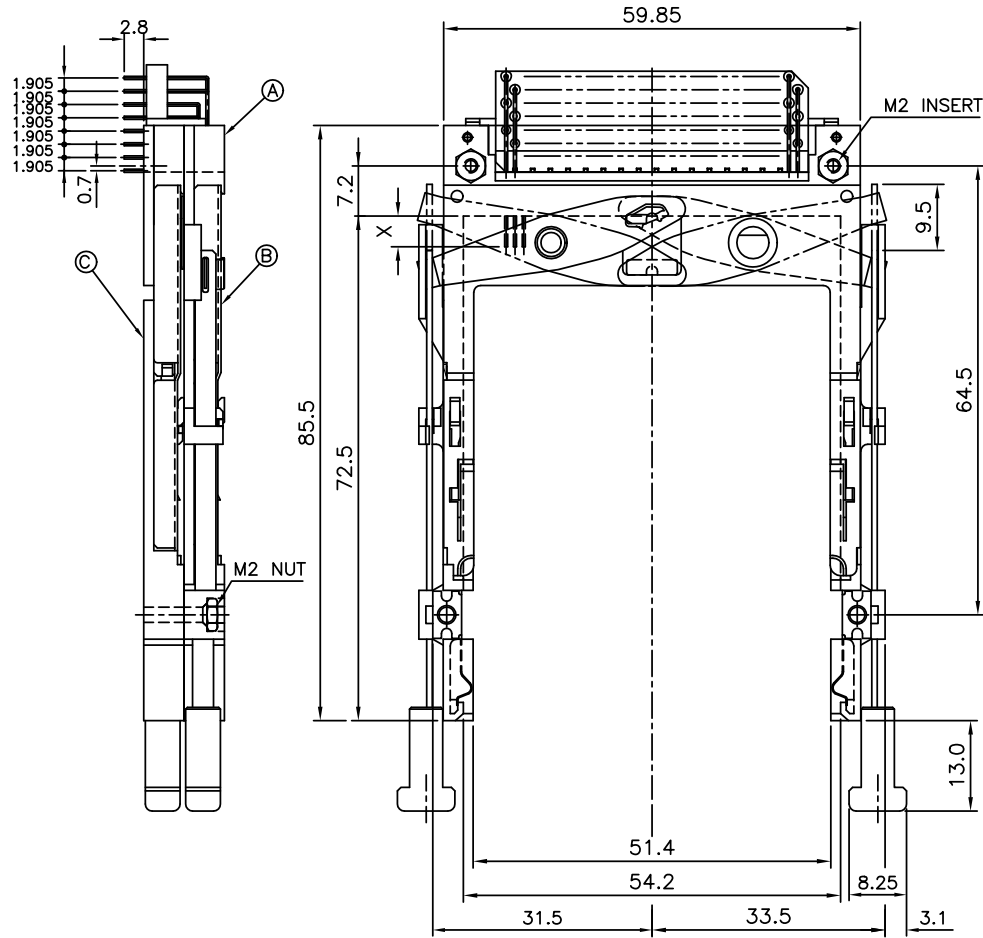


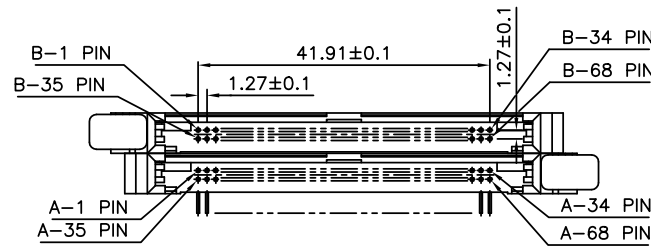
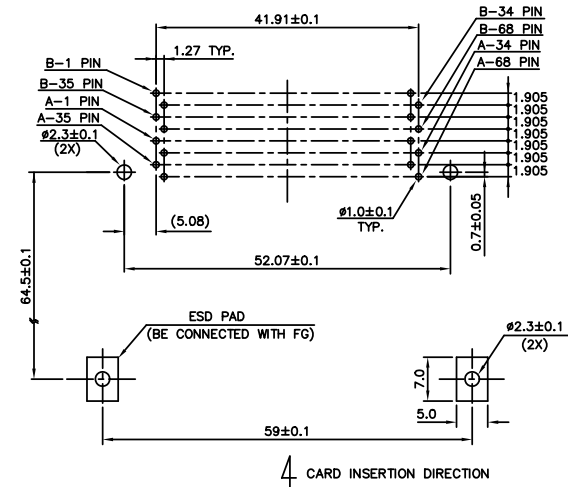
PRODUCT NO.
61572-100CA/100CALF



NOTES:

1. EJECT FORCE : 3.5 Kg MAX.
2. EJECT TRAVEL: 8.0mm
3. MATERIAL
 - 3.1 PART A (HEADER ASS'Y)
HOUSING : HIGH TEMPERATURE THERMOPLASTIC
PIN : COPPER ALLOY
 - 3.2 PART B AND C (EJECT MECHANISM ASS'Y)
HOUSING : HIGH TEMPERATURE THERMOPLASTIC
PLATE : STAINLESS
EMI CONTACT: PHOSPHOR BRONZE
4. FINISH (PIN)
 - UNDER PLATING : 0.5µm MIN. Ni
 - CONTACT AREA : 0.1µm MIN. GOLD OVER
 - SOLDER TAIL (TIN LEAD OPTION): 2.5µm MIN. Sn-Pb
 - SOLDER TAIL (LEAD FREE OPTION): 2.5µm MIN. PURE TIN
5.

DIM"X"	4.25±0.1	3.5±0.1	5.0±0.1
PIN NUMBER	OTHERS	36,67	1,17,34,35,51,68
6. IF LEAD FREE P/N THE HOUSING WILL WITHSTAND EXPOSURE TO 260°C PEAK TEMPERATURE FOR 10 SECONDS IN A WAVE SOLDER APPLICATION WITH A 1.00MM MINIMUM THICK CIRCUIT BOARD.
7. IF LEAD FREE P/N THE PRODUCT MEETS EUROPEAN UNION DIRECTIVES AND OTHER COUNTRY REGULATIONS AS DISCRIBLED IN GS-22-008
8. LEAD FREE P/N PACKAGING MEETS GS-14-920 SPECIFICATION

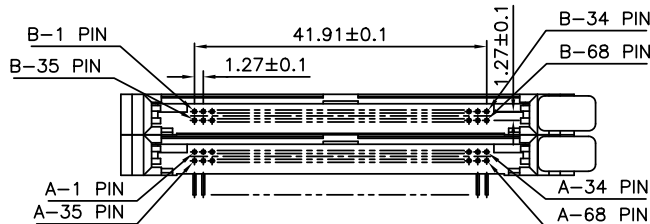
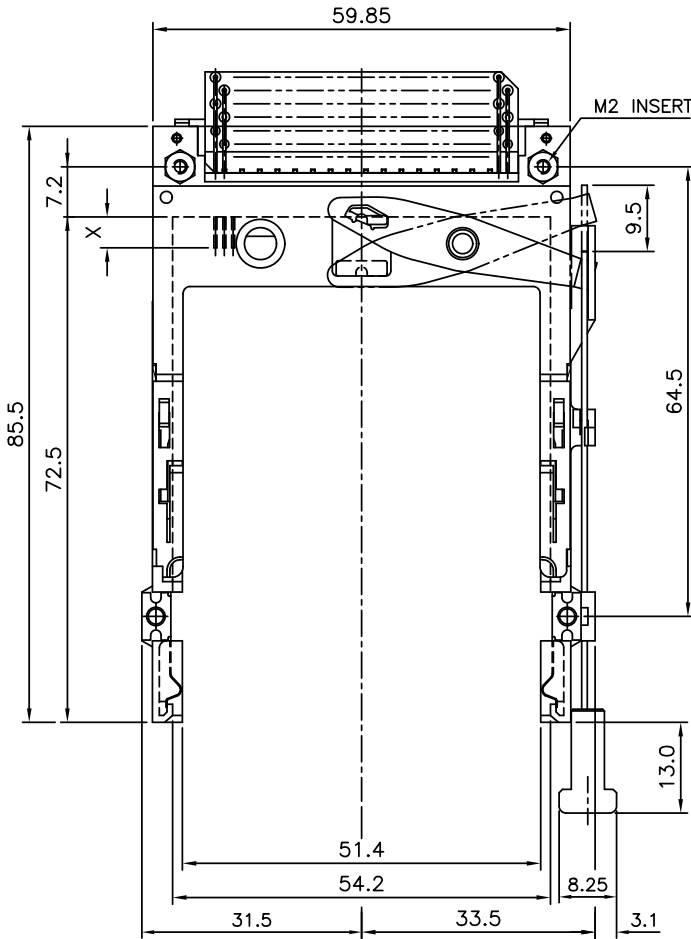
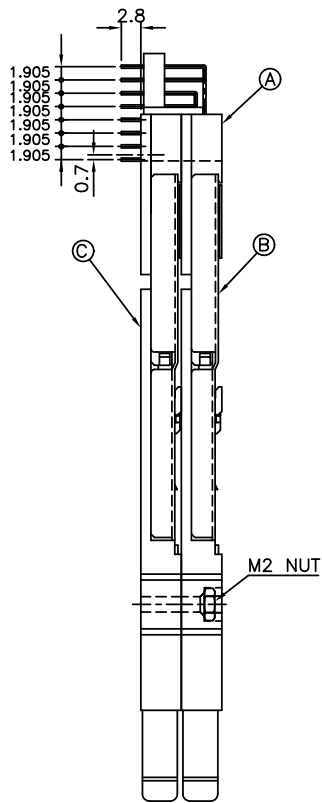


USE THE FOLLOWING P/N FOR OFFICIAL ORDERING

C	EJECT MECH ASS'Y	61571-00CA
B	EJECT MECH ASS'Y	95627-10CA
A	HDR ASS'Y	92821-000/000LF
	DESCRIPTION	P/N

mat'l. code		surface		tolerance		projection		product family	
		ISD1302		ISD 406 ISD1101				PCMCIA	
ltr ecn nodr		date		tolerances unless otherwise specified				title	
A T60411 LS		08/30/96		angle		MM		NARROW BODY FRONT EJECT	
B T70019 WL		01/07/97		0.X±0.3				TYPE 1/2/3 EJECTOR ASS'Y	
C T90279 WL		07/23/99		σ±2'		scale 1.5:1			
D N05-0059 WB		03/03/05		SHIRLEY		08/30/96		dwg no	
E ELX-N-007943 ZK		11/01/11		engr JOSEPH HSIA		08/30/96		sheet 1 of 3	
				chr JOSEPH HSIA		08/30/96		size	
				appd JENN TSAO		08/30/96		61572	
sheet		revision		E		E		type Product Customer Drawing	
index		sheet		1		2		3	

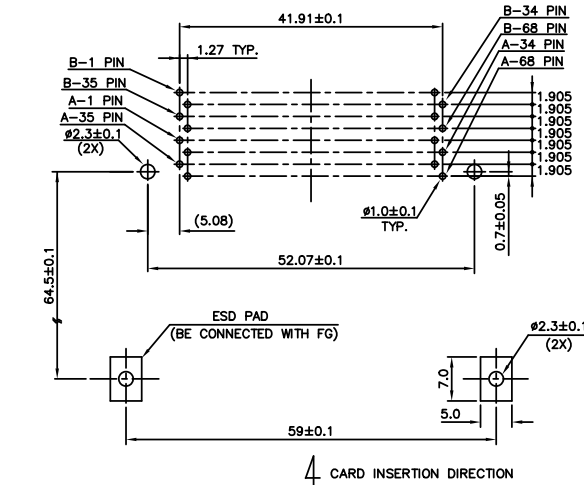
PRODUCT NO.
61572-200CA/200CALF



NOTES:

- EJECT FORCE : 3.5 Kg MAX.
- EJECT TRAVEL: 8.0mm
- MATERIAL
 - PART A (HEADER ASS'Y)
HOUSING : HIGH TEMPERATURE THERMOPLASTIC
PIN : COPPER ALLOY
 - PART B AND C (EJECT MECHANISM ASS'Y)
HOUSING : HIGH TEMPERATURE THERMOPLASTIC
PLATE : STAINLESS
EMI CONTACT: PHOSPHOR BRONZE
- FINISH (PIN)
UNDER PLATING : 0.5µm MIN. Ni
CONTACT AREA : 0.1µm MIN. GOLD OVER 0.5µm MIN. Pd-Ni
SOLDER TAIL (TIN LEAD OPTION): 2.5µm MIN. Sn-Pb
SOLDER TAIL (LEAD FREE OPTION): 2.5µm MIN. PURE TIN

DIM "X"	4.25±0.1	3.5±0.1	5.0±0.1
PIN NUMBER	OTHERS	36,67	1,17,34,35,51,68

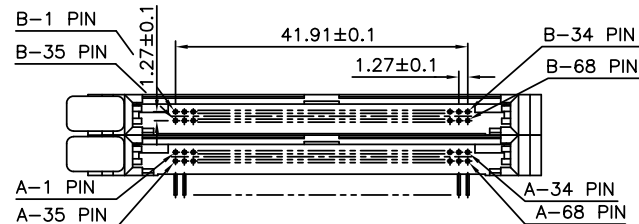
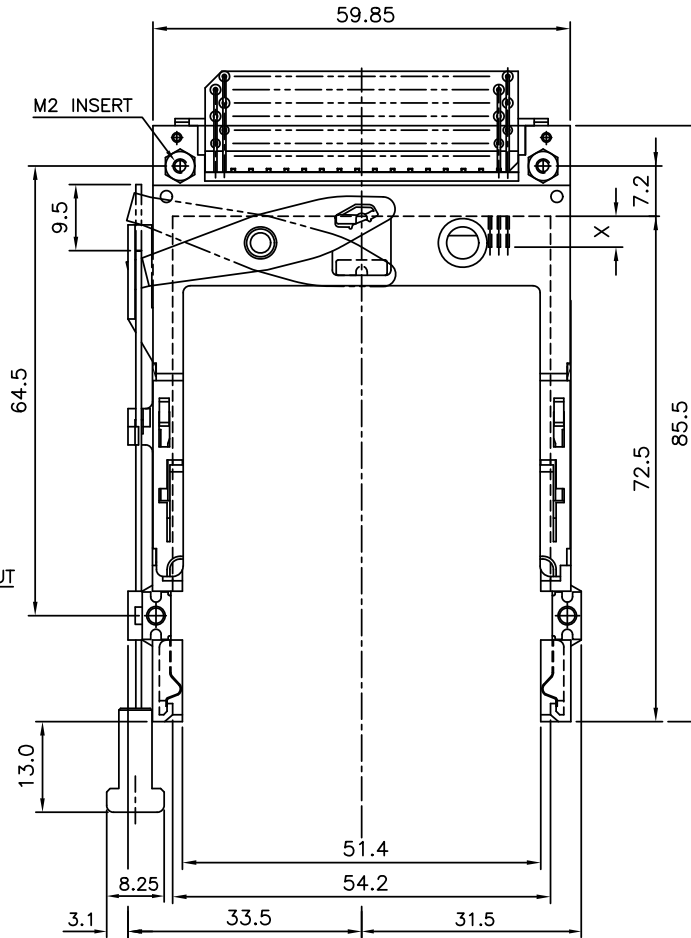
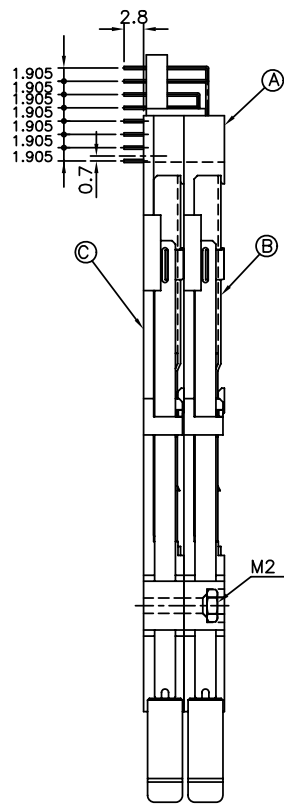


USE THE FOLLOWING P/N FOR OFFICIAL ORDERING

©	EJECT MECH ASS'Y	61571-00CA
ⓑ	EJECT MECH ASS'Y	95627-00CA
Ⓐ	HDR ASS'Y	92821-000/000LF
	DESCRIPTION	P/N

mat'l. code	surface ISO1302	tolerance ISO 406 ISO1101	projection MM	product family PCMCIA
ltr ecn nodr date	tolerances unless otherwise specified	angle 0°±2'	scale: 5:1	title NARROW BODY FRONT EJECT TYPE 1/2/3 EJECTOR ASS'Y
E		0.X±0.3		dwg no 61572
		0.XX±0.15		sheet 2 of 3 size A4
		0.XXX±0.05		type Product Customer Drawing
dr	SHIRLEY	08/30/96		
eng	JOSEPH HSIA	08/30/96		
chr	JOSEPH HSIA	08/30/96		
app	JENN TSAO	08/30/96		
sheet index	revision sheet			

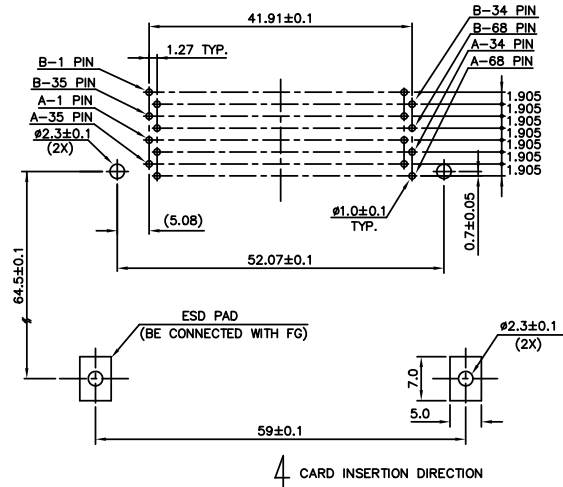
PRODUCT NO.
61572-300CA/300CALF



NOTES:

1. EJECT FORCE : 3.5 Kg MAX.
2. EJECT TRAVEL: 8.0mm
- ③ MATERIAL
- 3.1 PART ① (HEADER ASS'Y)
HOUSING: HIGH TEMPERATURE THERMOPLASTIC
PIN : COPPER ALLOY
- 3.2 PART ② AND ③ (EJECT MECHANISM ASS'Y)
HOUSING: HIGH TEMPERATURE THERMOPLASTIC
PLATE : STAINLESS
EMI CONTACT: PHOSPHOR BRONZE
4. FINISH (PIN)
UNDER PLATING : 0.5µm MIN. Ni
CONTACT AREA : 0.1µm MIN. GOLD OVER 0.5µm MIN. Pd-Ni
SOLDER TAIL (TIN LEAD OPTION): 2.5µm MIN. Sn-Pb
SOLDER TAIL (LEAD FREE OPTION): 2.5µm MIN. PURE TIN
5.

DIM"x"	4.25±0.1	3.5±0.1	5.0±0.1
PIN NUMBER	OTHERS	36,67	1,17,34,35,51,68
6. IF LEAD FREE P/N THE HOUSING WILL WITHSTAND EXPOSURE TO 260°C PEAK TEMPERATURE FOR 10 SECONDS IN A WAVE SOLDER APPLICATION WITH A 1.00MM MINIMUM THICK CIRCUIT BOARD.
7. IF LEAD FREE P/N THE PRODUCT MEETS EUROPEAN UNION DIRECTIVES AND OTHER COUNTRY REGULATIONS AS DISCRIBED IN GS-22-008
8. LEAD FREE P/N PACKAGING MEETS GS-14-920 SPECIFICATION



USE THE FOLLOWING P/N FOR OFFICIAL ORDERING

③	EJECT MECH ASS'Y	61571-10CA
②	EJECT MECH ASS'Y	95627-10CA
①	HDR ASS'Y	92821-000/000LF
	DESCRIPTION	P/N

mat'l. code	surface ISO1302	tolerance ISO 406 ISO1101	projection	product family PCMCIA
l/tecn nodr	date	tolerances unless otherwise specified	MM	
E		angle 0°±2'	scale: 5:1	
	dir	SHIRLEY 08/30/96		dwg no
	eng	JOSEPH HSIA 08/30/96		sheet 3 of 3
	chr	JOSEPH HSIA 08/30/96		size
	app	JENN TSAO 08/30/96		A4
sheet index	revision sheet			type Product Customer Drawing