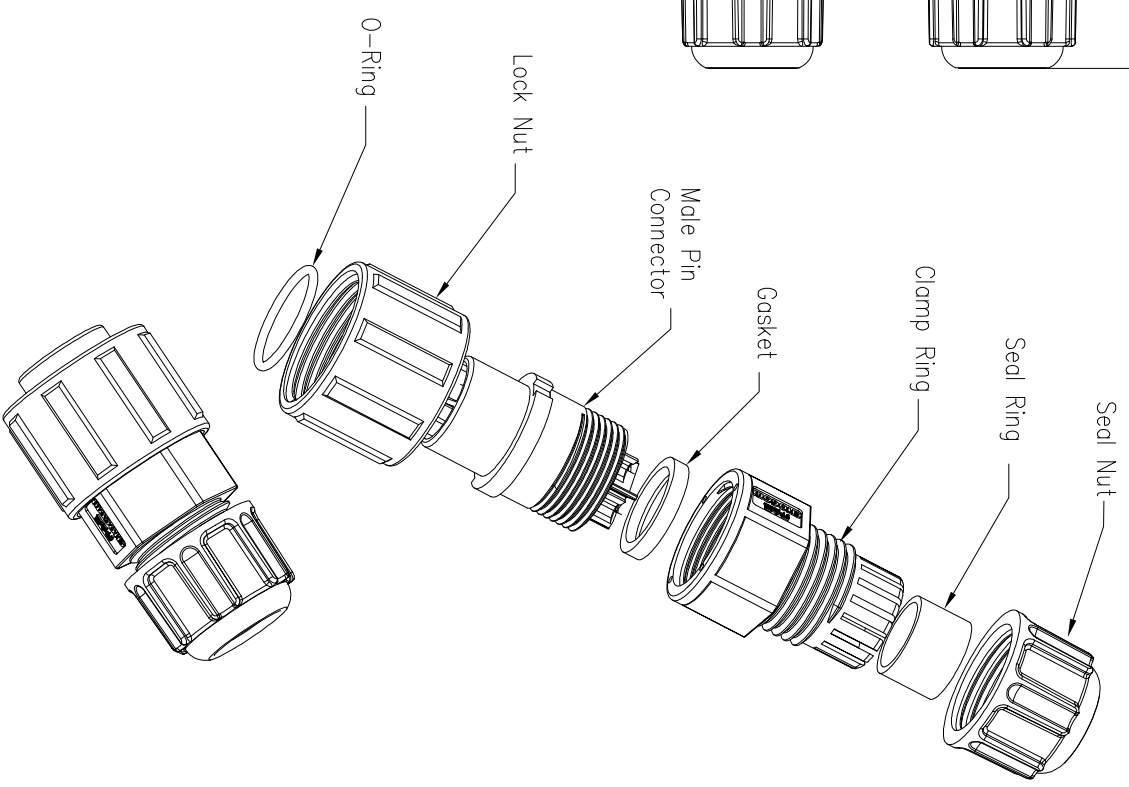
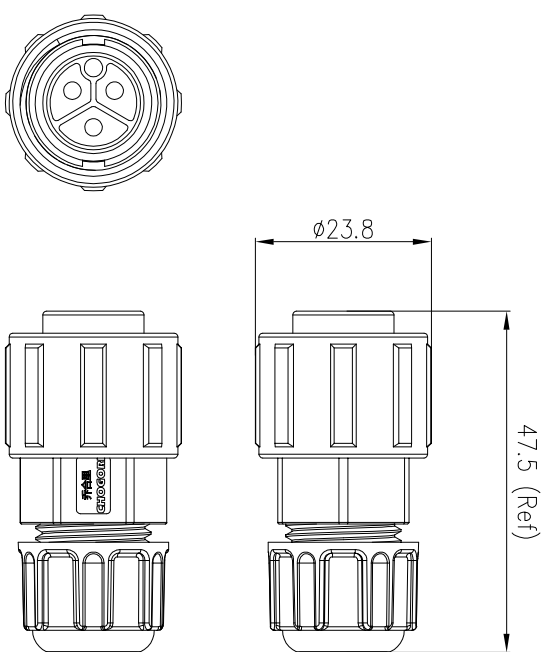


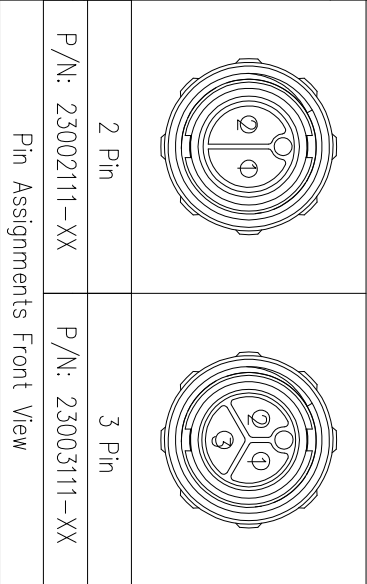
REV.	ECN NO.	DESCRIPTION	SIGN	DATE
C1	N/A	INITIAL DRAWING	Liu	2019/08/13



Specification:

1. Operation Temperature: -45°C~105°C.
2. Insulation Resistance: 100MΩ at DC500V.
3. Contact Resistance: <10mΩ
4. Withstand Voltage: 2000V AC
5. Operating Current: 20A
6. Operating Voltage: AC 300V
7. Waterproof Rate: IP67 (Mated)
8. Seal Nut: Nylon, Black
9. Seal Ring: Silicon, Black
10. Clamp Ring: Nylon, Black
11. Gasket: Silicon, Red
12. Lock Nut: Nylon, Black
13. Male Pin: Copper Alloy, Gold Plated
14. Connector: Nylon+GF, Black
15. O-Ring: Silicon, Red
16. RoHS Compliant.
17. UL Compliant.
18. Mating Cap: 806-00026-01

23XXX111-XX Cable Range OD
 01 OD: φ3.5mm~φ6.5mm
 02 OD: φ6.5mm~φ9.5mm

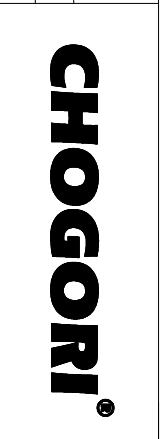


P/N: 23002111-XX
 P/N: 23003111-XX

Pin Assignments Front View

UNIT: mm
 TOLERANCE
 .X ±0.25
 .XX ±0.15
 .XXX ±0.05
 ANGLES ±1°

DESCRIPTION
 Middle Series Screw
 Male Plug With Male Pin
 SCALE: 1:1
 SHEET X OF X
 REV C1 SIZE A4 * : Inspection Item



PART NO	23XXX111-XX	DRAWN BY	Liu	DATE	2019/08/13
DWG NO		CHECKED BY	Mo	DATE	2019/08/13
CUSTOMER		APPROVED BY	Panson	DATE	2019/08/13