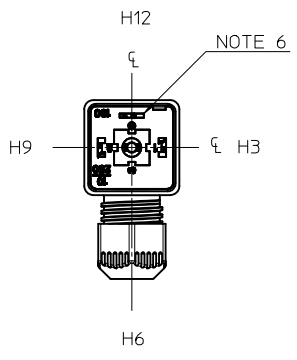
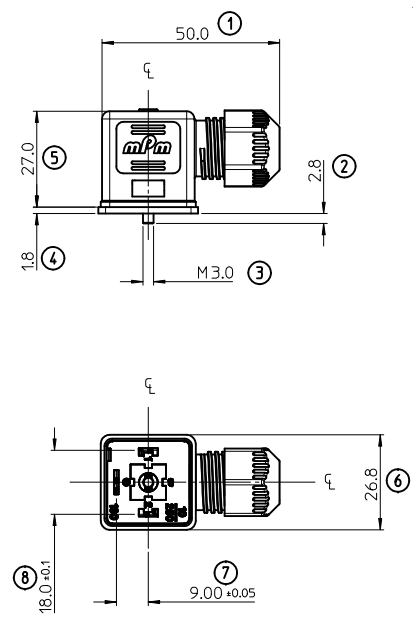


ITEM	DESCRIPTION
1	M3 SCREW WITH GASKET
2	TYPE A COVER
3	PCB
4	TYPE A INSERT
5	TYPE A GASKET
6	GROMMET
7	EXTERNAL NUT

S28200NC410R**

SERIES _____
 S28= EXTERNAL THREAD FORM A
 POLES _____
 2= 2 POLE & 3= 3 POLE
 THREAD _____
 00 = EXTERNAL THREAD
 MATERIAL AND HOUSING COLOR _____
 G= PA6 GRAY, N= PA6 BLACK, W= PA6 BLACK V0, T= TRANSPARENT
 CIRCUIT _____
 SEE DETAILS IN CATALOGUE
 VOLTAGE _____
 SEE DETAILS IN CATALOGUE
 GROUND POSITION _____
 0= UNMOUNTED, 2= H12, 3=H3, 6 =H6 & 9= H9
 SCREW AND GASKET _____
 R= INTEGRATED NBR GASKET AND IP67 SCREW
 S= INTEGRATED SILICON GASKET AND IP67 SCREW
 NON STANDARD PACKAGING _____
 CN= BULK PACK UN-MOUNTED
 SN= BULK PACK MOUNTED
 67= NEUTRAL PACKAGING



NOTES

- FOR SPECIFIC PART NUMBERS PLEASE CONTACT SALES OR CONSULT THE INTELLIGENT PART NUMBERS IN THE TABLE ATTACHED
- PRODUCT SPEC: SEE PS-121201-001
- PACKAGING SPEC: SEE PK-121201-001
- CABLE SIZES 4 - 9 mm DIAMETER
- TIGHTENING TORQUE: SEE PS-121201-001
- GROUND POSITION SHOWN H12

LAST INSPECTION NUMBER USED 8

TEXT ERROR EC NO: WEU2011-0034 DRWNG: CARTON 2010/07/21 CHKD: 2010/08/09 APPR: ELOLAN 2010/08/12	QUALITY SYMBOLS ▽=0 ▽=0	GENERAL TOLERANCES (UNLESS SPECIFIED) <table border="1"> <thead> <tr> <th></th> <th>mm</th> <th>INCH</th> </tr> </thead> <tbody> <tr> <td>4 PLACES</td> <td>± ---</td> <td>± ---</td> </tr> <tr> <td>3 PLACES</td> <td>± ---</td> <td>± ---</td> </tr> <tr> <td>2 PLACES</td> <td>± 0.1</td> <td>± ---</td> </tr> <tr> <td>1 PLACE</td> <td>± 0.2</td> <td>± ---</td> </tr> <tr> <td colspan="3">ANGULAR ± ---°</td> </tr> </tbody> </table>		mm	INCH	4 PLACES	± ---	± ---	3 PLACES	± ---	± ---	2 PLACES	± 0.1	± ---	1 PLACE	± 0.2	± ---	ANGULAR ± ---°			DIMENSION STYLE MM ONLY DRAWN BY: DMAHER_WEU DATE: 2010/03/15 CHECKED BY: DATE:	SCALE: 1:1 DESIGN UNITS: METRIC THIRD ANGLE PROJECTION
		mm	INCH																			
	4 PLACES	± ---	± ---																			
	3 PLACES	± ---	± ---																			
2 PLACES	± 0.1	± ---																				
1 PLACE	± 0.2	± ---																				
ANGULAR ± ---°																						
DESCRIPTION	DRAFT WHERE APPLICABLE MUST REMAIN WITHIN DIMENSIONS	APPROVED BY: JWALLACE DATE: 2010/03/24 MATERIAL NO.	TITLE: EXTERNAL THREAD S282/283 SERIES 121207																			
REV: C	SIZE: A 2	SEE TABLES	MOLEX INCORPORATED DOCUMENT NO. SD-121207-001																			
		THIS DRAWING CONTAINS INFORMATION THAT IS PROPRIETARY TO MOLEX INCORPORATED AND SHOULD NOT BE USED WITHOUT WRITTEN PERMISSION																				

Part No	MPM Part No	DESCRIPTION	CIRCUIT	VOLTAGE	INDICATOR
1212070062	S28200TA010R	TYPE A 2 POLE TRANSPARENT	A0	12v	LAMP/NEON
1212070063	S28200TA020R	TYPE A 2 POLE TRANSPARENT	A0	24v	LAMP/NEON
1212070064	S28200TA030R	TYPE A 2 POLE TRANSPARENT	A0	48v	LAMP/NEON
1212070065	S28200TA040R	TYPE A 2 POLE TRANSPARENT	A0	115v	LAMP/NEON
1212070066	S28200TA050R	TYPE A 2 POLE TRANSPARENT	A0	230v	LAMP/NEON

Part No	MPM Part No	DESCRIPTION	CIRCUIT	VOLTAGE	INDICATOR
1212070067	S28200TA110R	TYPE A 2 POLE TRANSPARENT	A1	12v	RED LED
1212070068	S28200TA120R	TYPE A 2 POLE TRANSPARENT	A1	24v	RED LED
1212070069	S28200TA130R	TYPE A 2 POLE TRANSPARENT	A1	48v	RED LED
1212070070	S28200TA140R	TYPE A 2 POLE TRANSPARENT	A1	115v	RED LED
1212070071	S28200TA150R	TYPE A 2 POLE TRANSPARENT	A1	230v	RED LED
1212070072	S28200TA1A0R	TYPE A 2 POLE TRANSPARENT	A1	12v	GREEN LED
1212070073	S28200TA1B0R	TYPE A 2 POLE TRANSPARENT	A1	24v	GREEN LED
1212070074	S28200TA1C0R	TYPE A 2 POLE TRANSPARENT	A1	48v	GREEN LED
1212070075	S28200TA1D0R	TYPE A 2 POLE TRANSPARENT	A1	115v	GREEN LED
1212070076	S28200TA1E0R	TYPE A 2 POLE TRANSPARENT	A1	230v	GREEN LED
1212070077	S28200TA1G0R	TYPE A 2 POLE TRANSPARENT	A1	12v	AMBER LED
1212070078	S28200TA1H0R	TYPE A 2 POLE TRANSPARENT	A1	24v	AMBER LED
1212070079	S28200TA1K0R	TYPE A 2 POLE TRANSPARENT	A1	48v	AMBER LED
1212070080	S28200TA1L0R	TYPE A 2 POLE TRANSPARENT	A1	115v	AMBER LED
1212070081	S28200TA1M0R	TYPE A 2 POLE TRANSPARENT	A1	230v	AMBER LED

Part No	MPM Part No	DESCRIPTION	CIRCUIT	VOLTAGE	INDICATOR
1212070082	S28200TC310R	TYPE A 2 POLE TRANSPARENT	C3	12v	RED LED
1212070001	S28200TC320R	TYPE A 2 POLE TRANSPARENT	C3	24v	RED LED
1212070083	S28200TC330R	TYPE A 2 POLE TRANSPARENT	C3	48v	RED LED
1212070084	S28200TC340R	TYPE A 2 POLE TRANSPARENT	C3	115v	RED LED
1212070085	S28200TC350R	TYPE A 2 POLE TRANSPARENT	C3	230v	RED LED
1212070086	S28200TC3A0R	TYPE A 2 POLE TRANSPARENT	C3	12v	GREEN LED
1212070087	S28200TC3B0R	TYPE A 2 POLE TRANSPARENT	C3	24v	GREEN LED
1212070088	S28200TC3C0R	TYPE A 2 POLE TRANSPARENT	C3	48v	GREEN LED
1212070089	S28200TC3D0R	TYPE A 2 POLE TRANSPARENT	C3	115v	GREEN LED
1212070090	S28200TC3E0R	TYPE A 2 POLE TRANSPARENT	C3	230v	GREEN LED
1212070091	S28200TC3G0R	TYPE A 2 POLE TRANSPARENT	C3	12v	AMBER LED
1212070002	S28200TC3H0R	TYPE A 2 POLE TRANSPARENT	C3	24v	AMBER LED
1212070092	S28200TC3K0R	TYPE A 2 POLE TRANSPARENT	C3	48v	AMBER LED
1212070093	S28200TC3L0R	TYPE A 2 POLE TRANSPARENT	C3	115v	AMBER LED
1212070094	S28200TC3M0R	TYPE A 2 POLE TRANSPARENT	C3	230v	AMBER LED

Part No	MPM Part No	DESCRIPTION	CIRCUIT	VOLTAGE	INDICATOR
1212070095	S28200TC410R	TYPE A 2 POLE TRANSPARENT	C4	12v	RED LED
1212070004	S28200TC420R	TYPE A 2 POLE TRANSPARENT	C4	24v	RED LED
1212070096	S28200TC430R	TYPE A 2 POLE TRANSPARENT	C4	48v	RED LED
1212070006	S28200TC440R	TYPE A 2 POLE TRANSPARENT	C4	115v	RED LED
1212070097	S28200TC450R	TYPE A 2 POLE TRANSPARENT	C4	230v	RED LED
1212070098	S28200TC4A0R	TYPE A 2 POLE TRANSPARENT	C4	12v	GREEN LED
1212070099	S28200TC4B0R	TYPE A 2 POLE TRANSPARENT	C4	24v	GREEN LED
1212070100	S28200TC4C0R	TYPE A 2 POLE TRANSPARENT	C4	48v	GREEN LED
1212070101	S28200TC4D0R	TYPE A 2 POLE TRANSPARENT	C4	115v	GREEN LED
1212070102	S28200TC4E0R	TYPE A 2 POLE TRANSPARENT	C4	230v	GREEN LED
1212070103	S28200TC4G0R	TYPE A 2 POLE TRANSPARENT	C4	12v	AMBER LED
1212070005	S28200TC4H0R	TYPE A 2 POLE TRANSPARENT	C4	24v	AMBER LED
1212070104	S28200TC4K0R	TYPE A 2 POLE TRANSPARENT	C4	48v	AMBER LED
1212070105	S28200TC4L0R	TYPE A 2 POLE TRANSPARENT	C4	115v	AMBER LED
1212070106	S28200TC4M0R	TYPE A 2 POLE TRANSPARENT	C4	230v	AMBER LED

Part No	MPM Part No	DESCRIPTION	CIRCUIT	VOLTAGE	INDICATOR
1212070107	S28200TD010R	TYPE A 2 POLE TRANSPARENT	D0	12v	VDR
1212070108	S28200TD020R	TYPE A 2 POLE TRANSPARENT	D0	24v	VDR
1212070109	S28200TD030R	TYPE A 2 POLE TRANSPARENT	D0	48v	VDR
1212070110	S28200TD040R	TYPE A 2 POLE TRANSPARENT	D0	115v	VDR
1212070111	S28200TD050R	TYPE A 2 POLE TRANSPARENT	D0	230v	VDR

Part No	MPM Part No	DESCRIPTION	CIRCUIT	VOLTAGE	INDICATOR
1212070112	S28200TE010R	TYPE A 2 POLE TRANSPARENT	E0	12v	DIODE
1212070113	S28200TE020R	TYPE A 2 POLE TRANSPARENT	E0	24v	DIODE
1212070114	S28200TE030R	TYPE A 2 POLE TRANSPARENT	E0	48v	DIODE
1212070115	S28200TE040R	TYPE A 2 POLE TRANSPARENT	E0	115v	DIODE
1212070116	S28200TE050R	TYPE A 2 POLE TRANSPARENT	E0	230v	DIODE

Part No	MPM Part No	DESCRIPTION - BULK PACKED
1212070003	S28200TC3B0RCN	S282 T W PCB C3 24V GREEN LED BULK
1212070007	S28200TC420RCN	S282 T W PCB C4 24V RED LED BULK
1212070061	S28200TC420RCN	S282 T W PCB C4 24V RED LED BULK

SEE SHEET 1 EC NO: WEU2011-0034 DRAWN: DCARTON 2010/07/21 CHKD: 2010/08/09 APPR: EFOLAN 2010/08/12	QUALITY SYMBOLS ▽=0 ▽=0	GENERAL TOLERANCES (UNLESS SPECIFIED)		DIMENSION STYLE MM ONLY		SCALE 1:1	DESIGN UNITS METRIC	THIRD ANGLE PROJECTION	
		4 PLACES ± --- ± --- 3 PLACES ± --- ± --- 2 PLACES ± 0.1 ± --- 1 PLACE ± 0.2 ± --- ANGULAR ± ---°	mm INCH ± --- ± --- ± 0.1 ± --- ± 0.2 ± --- ± ---°	DRAWN BY DMAHER_WEU	DATE 2010/03/15	TITLE EXTERNAL THREAD S282/283 SERIES 121207			
		DRAFT WHERE APPLICABLE MUST REMAIN WITHIN DIMENSIONS		APPROVED BY JWALLACE	DATE 2010/03/24	MOLEX INCORPORATED			
				MATERIAL NO. SEE TABLES	DOCUMENT NO. SD-121207-001	SHEET NO. 2 OF 4			

Part No	MPM Part No	DESCRIPTION	CIRCUIT	VOLTAGE	INDICATOR
1212070117	S28200TS010R	TYPE A 2 POLE TRANSPARENT	S0	12v	RED LED
1212070118	S28200TS020R	TYPE A 2 POLE TRANSPARENT	S0	24v	RED LED
1212070119	S28200TS030R	TYPE A 2 POLE TRANSPARENT	S0	48v	RED LED
1212070120	S28200TS040R	TYPE A 2 POLE TRANSPARENT	S0	115v	RED LED
1212070121	S28200TS050R	TYPE A 2 POLE TRANSPARENT	S0	230v	RED LED
1212070122	S28200TS0A0R	TYPE A 2 POLE TRANSPARENT	S0	12v	GREEN LED
1212070123	S28200TS0B0R	TYPE A 2 POLE TRANSPARENT	S0	24v	GREEN LED
1212070124	S28200TS0C0R	TYPE A 2 POLE TRANSPARENT	S0	48v	GREEN LED
1212070125	S28200TS0D0R	TYPE A 2 POLE TRANSPARENT	S0	115v	GREEN LED
1212070126	S28200TS0E0R	TYPE A 2 POLE TRANSPARENT	S0	230v	GREEN LED
1212070127	S28200TS0G0R	TYPE A 2 POLE TRANSPARENT	S0	12v	AMBER LED
1212070128	S28200TS0H0R	TYPE A 2 POLE TRANSPARENT	S0	24v	AMBER LED
1212070129	S28200TS0K0R	TYPE A 2 POLE TRANSPARENT	S0	48v	AMBER LED
1212070130	S28200TS0L0R	TYPE A 2 POLE TRANSPARENT	S0	115v	AMBER LED
1212070131	S28200TS0M0R	TYPE A 2 POLE TRANSPARENT	S0	230v	AMBER LED

Part No	MPM Part No	DESCRIPTION	CIRCUIT	VOLTAGE	INDICATOR
1212070142	S28300TA110R	TYPE A 2 POLE TRANSPARENT	A1	12v	RED LED
1212070143	S28300TA120R	TYPE A 2 POLE TRANSPARENT	A1	24v	RED LED
1212070144	S28300TA130R	TYPE A 2 POLE TRANSPARENT	A1	48v	RED LED
1212070145	S28300TA140R	TYPE A 2 POLE TRANSPARENT	A1	115v	RED LED
1212070146	S28300TA150R	TYPE A 2 POLE TRANSPARENT	A1	230v	RED LED
1212070147	S28300TA1A0R	TYPE A 2 POLE TRANSPARENT	A1	12v	GREEN LED
1212070148	S28300TA1B0R	TYPE A 2 POLE TRANSPARENT	A1	24v	GREEN LED
1212070149	S28300TA1C0R	TYPE A 2 POLE TRANSPARENT	A1	48v	GREEN LED
1212070150	S28300TA1D0R	TYPE A 2 POLE TRANSPARENT	A1	115v	GREEN LED
1212070151	S28300TA1E0R	TYPE A 2 POLE TRANSPARENT	A1	230v	GREEN LED
1212070152	S28300TA1G0R	TYPE A 2 POLE TRANSPARENT	A1	12v	AMBER LED
1212070153	S28300TA1H0R	TYPE A 2 POLE TRANSPARENT	A1	24v	AMBER LED
1212070154	S28300TA1K0R	TYPE A 2 POLE TRANSPARENT	A1	48v	AMBER LED
1212070155	S28300TA1L0R	TYPE A 2 POLE TRANSPARENT	A1	115v	AMBER LED
1212070156	S28300TA1M0R	TYPE A 2 POLE TRANSPARENT	A1	230v	AMBER LED

Part No	MPM Part No	DESCRIPTION	CIRCUIT	VOLTAGE	INDICATOR
1212070132	S28200TS110R	TYPE A 2 POLE TRANSPARENT	S1	12v	NO LED
1212070133	S28200TS120R	TYPE A 2 POLE TRANSPARENT	S1	24v	NO LED
1212070134	S28200TS130R	TYPE A 2 POLE TRANSPARENT	S1	48v	NO LED
1212070135	S28200TS140R	TYPE A 2 POLE TRANSPARENT	S1	115v	NO LED
1212070136	S28200TS150R	TYPE A 2 POLE TRANSPARENT	S1	230v	NO LED

Part No	MPM Part No	DESCRIPTION	CIRCUIT	VOLTAGE	INDICATOR
1212070157	S28300TC310R	TYPE A 2 POLE TRANSPARENT	C3	12v	RED LED
1212070158	S28300TC320R	TYPE A 2 POLE TRANSPARENT	C3	24v	RED LED
1212070159	S28300TC330R	TYPE A 2 POLE TRANSPARENT	C3	48v	RED LED
1212070160	S28300TC340R	TYPE A 2 POLE TRANSPARENT	C3	115v	RED LED
1212070161	S28300TC350R	TYPE A 2 POLE TRANSPARENT	C3	230v	RED LED
1212070162	S28300TC3A0R	TYPE A 2 POLE TRANSPARENT	C3	12v	GREEN LED
1212070163	S28300TC3B0R	TYPE A 2 POLE TRANSPARENT	C3	24v	GREEN LED
1212070164	S28300TC3C0R	TYPE A 2 POLE TRANSPARENT	C3	48v	GREEN LED
1212070165	S28300TC3D0R	TYPE A 2 POLE TRANSPARENT	C3	115v	GREEN LED
1212070166	S28300TC3E0R	TYPE A 2 POLE TRANSPARENT	C3	230v	GREEN LED
1212070167	S28300TC3G0R	TYPE A 2 POLE TRANSPARENT	C3	12v	AMBER LED
1212070168	S28300TC3H0R	TYPE A 2 POLE TRANSPARENT	C3	24v	AMBER LED
1212070169	S28300TC3K0R	TYPE A 2 POLE TRANSPARENT	C3	48v	AMBER LED
1212070170	S28300TC3L0R	TYPE A 2 POLE TRANSPARENT	C3	115v	AMBER LED
1212070171	S28300TC3M0R	TYPE A 2 POLE TRANSPARENT	C3	230v	AMBER LED

Part No	MPM Part No	DESCRIPTION	CIRCUIT	VOLTAGE	INDICATOR
1212070137	S28300TA010R	TYPE A 2 POLE TRANSPARENT	A0	12v	LAMP/NEON
1212070138	S28300TA020R	TYPE A 2 POLE TRANSPARENT	A0	24v	LAMP/NEON
1212070139	S28300TA030R	TYPE A 2 POLE TRANSPARENT	A0	48v	LAMP/NEON
1212070140	S28300TA040R	TYPE A 2 POLE TRANSPARENT	A0	115v	LAMP/NEON
1212070141	S28300TA050R	TYPE A 2 POLE TRANSPARENT	A0	230v	LAMP/NEON

SEE SHEET 1 EC NO: WEU2011-0034 DRAWN BY: DMAHER.WEU CHKD: 2010/08/09 APPR: EFOLAN 2010/08/12	DESCRIPTION REV	QUALITY SYMBOLS ▽=0 ▽=0	GENERAL TOLERANCES (UNLESS SPECIFIED) <table border="1"> <tr> <th></th> <th>mm</th> <th>INCH</th> </tr> <tr> <td>4 PLACES</td> <td>±.000</td> <td>±.000</td> </tr> <tr> <td>3 PLACES</td> <td>±.000</td> <td>±.000</td> </tr> <tr> <td>2 PLACES</td> <td>±0.1</td> <td>±.004</td> </tr> <tr> <td>1 PLACE</td> <td>±0.2</td> <td>±.008</td> </tr> <tr> <td colspan="3">ANGULAR ±.000°</td> </tr> </table>		mm	INCH	4 PLACES	±.000	±.000	3 PLACES	±.000	±.000	2 PLACES	±0.1	±.004	1 PLACE	±0.2	±.008	ANGULAR ±.000°			DIMENSION STYLE MM ONLY	SCALE 1:1	DESIGN UNITS METRIC	THIRD ANGLE PROJECTION
			mm	INCH																					
		4 PLACES	±.000	±.000																					
		3 PLACES	±.000	±.000																					
2 PLACES	±0.1	±.004																							
1 PLACE	±0.2	±.008																							
ANGULAR ±.000°																									
DRAWN BY: DMAHER.WEU DATE: 2010/03/15 CHECKED BY: _____ DATE: _____			TITLE EXTERNAL THREAD S282/283 SERIES 121207																						
APPROVED BY: JWALLACE DATE: 2010/03/24			MOLEX INCORPORATED																						
MATERIAL NO. SEE TABLES			DOCUMENT NO. SD-121207-001		SHEET NO. 3 OF 4																				

Part No	MPM Part No	DESCRIPTION	CIRCUIT	VOLTAGE	INDICATOR
1212070172	S28300TC410R	TYPE A 2 POLE TRANSPARENT	C4	12v	RED LED
1212070173	S28300TC420R	TYPE A 2 POLE TRANSPARENT	C4	24v	RED LED
1212070174	S28300TC430R	TYPE A 2 POLE TRANSPARENT	C4	48v	RED LED
1212070175	S28300TC440R	TYPE A 2 POLE TRANSPARENT	C4	115v	RED LED
1212070176	S28300TC450R	TYPE A 2 POLE TRANSPARENT	C4	230v	RED LED
1212070177	S28300TC4A0R	TYPE A 2 POLE TRANSPARENT	C4	12v	GREEN LED
1212070178	S28300TC4B0R	TYPE A 2 POLE TRANSPARENT	C4	24v	GREEN LED
1212070179	S28300TC4C0R	TYPE A 2 POLE TRANSPARENT	C4	48v	GREEN LED
1212070180	S28300TC4D0R	TYPE A 2 POLE TRANSPARENT	C4	115v	GREEN LED
1212070181	S28300TC4E0R	TYPE A 2 POLE TRANSPARENT	C4	230v	GREEN LED
1212070182	S28300TC4G0R	TYPE A 2 POLE TRANSPARENT	C4	12v	AMBER LED
1212070183	S28300TC4H0R	TYPE A 2 POLE TRANSPARENT	C4	24v	AMBER LED
1212070184	S28300TC4K0R	TYPE A 2 POLE TRANSPARENT	C4	48v	AMBER LED
1212070185	S28300TC4L0R	TYPE A 2 POLE TRANSPARENT	C4	115v	AMBER LED
1212070186	S28300TC4M0R	TYPE A 2 POLE TRANSPARENT	C4	230v	AMBER LED

Part No	MPM Part No	DESCRIPTION	CIRCUIT	VOLTAGE	INDICATOR
1212070197	S28300TS010R	TYPE A 2 POLE TRANSPARENT	S0	12v	RED LED
1212070198	S28300TS020R	TYPE A 2 POLE TRANSPARENT	S0	24v	RED LED
1212070199	S28300TS030R	TYPE A 2 POLE TRANSPARENT	S0	48v	RED LED
1212070200	S28300TS040R	TYPE A 2 POLE TRANSPARENT	S0	115v	RED LED
1212070201	S28300TS050R	TYPE A 2 POLE TRANSPARENT	S0	230v	RED LED
1212070202	S28300TS0A0R	TYPE A 2 POLE TRANSPARENT	S0	12v	GREEN LED
1212070203	S28300TS0B0R	TYPE A 2 POLE TRANSPARENT	S0	24v	GREEN LED
1212070204	S28300TS0C0R	TYPE A 2 POLE TRANSPARENT	S0	48v	GREEN LED
1212070205	S28300TS0D0R	TYPE A 2 POLE TRANSPARENT	S0	115v	GREEN LED
1212070206	S28300TS0E0R	TYPE A 2 POLE TRANSPARENT	S0	230v	GREEN LED
1212070207	S28300TS0G0R	TYPE A 2 POLE TRANSPARENT	S0	12v	AMBER LED
1212070208	S28300TS0H0R	TYPE A 2 POLE TRANSPARENT	S0	24v	AMBER LED
1212070209	S28300TS0K0R	TYPE A 2 POLE TRANSPARENT	S0	48v	AMBER LED
1212070210	S28300TS0L0R	TYPE A 2 POLE TRANSPARENT	S0	115v	AMBER LED
1212070211	S28300TS0M0R	TYPE A 2 POLE TRANSPARENT	S0	230v	AMBER LED

Part No	MPM Part No	DESCRIPTION	CIRCUIT	VOLTAGE	INDICATOR
1212070187	S28300TD010R	TYPE A 2 POLE TRANSPARENT	D0	12v	VDR
1212070188	S28300TD020R	TYPE A 2 POLE TRANSPARENT	D0	24v	VDR
1212070189	S28300TD030R	TYPE A 2 POLE TRANSPARENT	D0	48v	VDR
1212070190	S28300TD040R	TYPE A 2 POLE TRANSPARENT	D0	115v	VDR
1212070191	S28300TD050R	TYPE A 2 POLE TRANSPARENT	D0	230v	VDR

Part No	MPM Part No	DESCRIPTION	CIRCUIT	VOLTAGE	INDICATOR
1212070212	S28300TS110R	TYPE A 2 POLE TRANSPARENT	S1	12v	NO LED
1212070213	S28300TS120R	TYPE A 2 POLE TRANSPARENT	S1	24v	NO LED
1212070214	S28300TS130R	TYPE A 2 POLE TRANSPARENT	S1	48v	NO LED
1212070215	S28300TS140R	TYPE A 2 POLE TRANSPARENT	S1	115v	NO LED
1212070216	S28300TS150R	TYPE A 2 POLE TRANSPARENT	S1	230v	NO LED

Part No	MPM Part No	DESCRIPTION	CIRCUIT	VOLTAGE	INDICATOR
1212070192	S28300TE010R	TYPE A 2 POLE TRANSPARENT	E0	12v	DIODE
1212070193	S28300TE020R	TYPE A 2 POLE TRANSPARENT	E0	24v	DIODE
1212070194	S28300TE030R	TYPE A 2 POLE TRANSPARENT	E0	48v	DIODE
1212070195	S28300TE040R	TYPE A 2 POLE TRANSPARENT	E0	115v	DIODE
1212070196	S28300TE050R	TYPE A 2 POLE TRANSPARENT	E0	230v	DIODE

SEE SHEET 1 EC NO: WEU2011-0034 DRAWN: DCARTON 2010/07/21 CHKD: 2010/08/09 APPR: EFOLAN 2010/08/12	QUALITY SYMBOLS = 0 = 0	GENERAL TOLERANCES (UNLESS SPECIFIED) <table border="1"> <tr> <th></th> <th>mm</th> <th>INCH</th> </tr> <tr> <td>4 PLACES</td> <td>± .005</td> <td>± .0002</td> </tr> <tr> <td>3 PLACES</td> <td>± .008</td> <td>± .0003</td> </tr> <tr> <td>2 PLACES</td> <td>± 0.01</td> <td>± .0004</td> </tr> <tr> <td>1 PLACE</td> <td>± 0.2</td> <td>± .0079</td> </tr> </table> ANGULAR ± .0001		mm	INCH	4 PLACES	± .005	± .0002	3 PLACES	± .008	± .0003	2 PLACES	± 0.01	± .0004	1 PLACE	± 0.2	± .0079	DIMENSION STYLE MM ONLY DRAWN BY: DMAHER_WEU DATE: 2010/03/15 CHECKED BY: _____ DATE: _____ APPROVED BY: JWALLACE DATE: 2010/03/24 MATERIAL NO. _____	SCALE: 1:1 DESIGN UNITS: METRIC THIRD ANGLE PROJECTION	TITLE: EXTERNAL THREAD S282/283 SERIES 121207
		mm	INCH																	
	4 PLACES	± .005	± .0002																	
	3 PLACES	± .008	± .0003																	
2 PLACES	± 0.01	± .0004																		
1 PLACE	± 0.2	± .0079																		
DRAFT WHERE APPLICABLE MUST REMAIN WITHIN DIMENSIONS	MOLEX INCORPORATED DOCUMENT NO. SD-121207-001	SHEET NO. 4 OF 4																		
SIZE: A	THIS DRAWING CONTAINS INFORMATION THAT IS PROPRIETARY TO MOLEX INCORPORATED AND SHOULD NOT BE USED WITHOUT WRITTEN PERMISSION																			