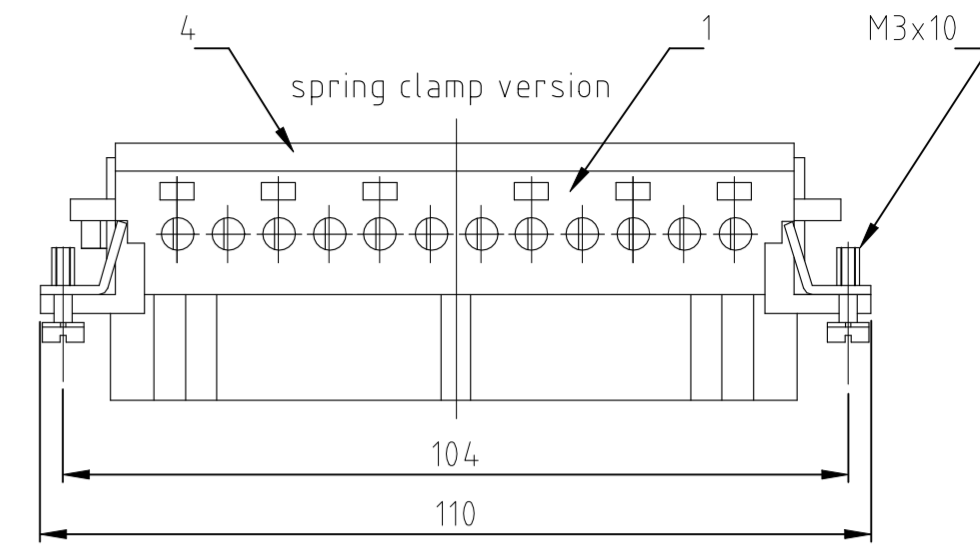
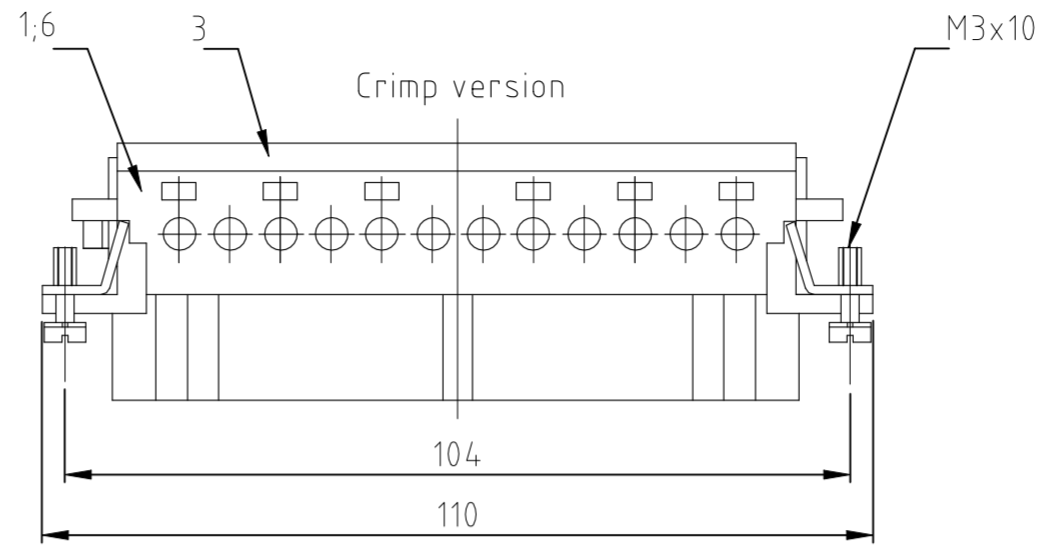
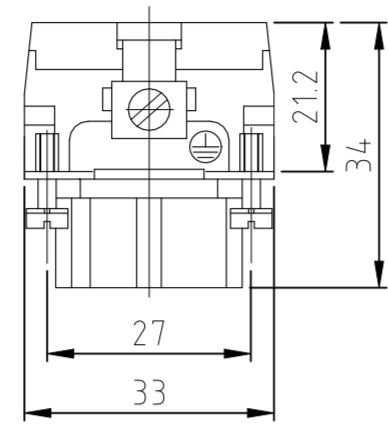
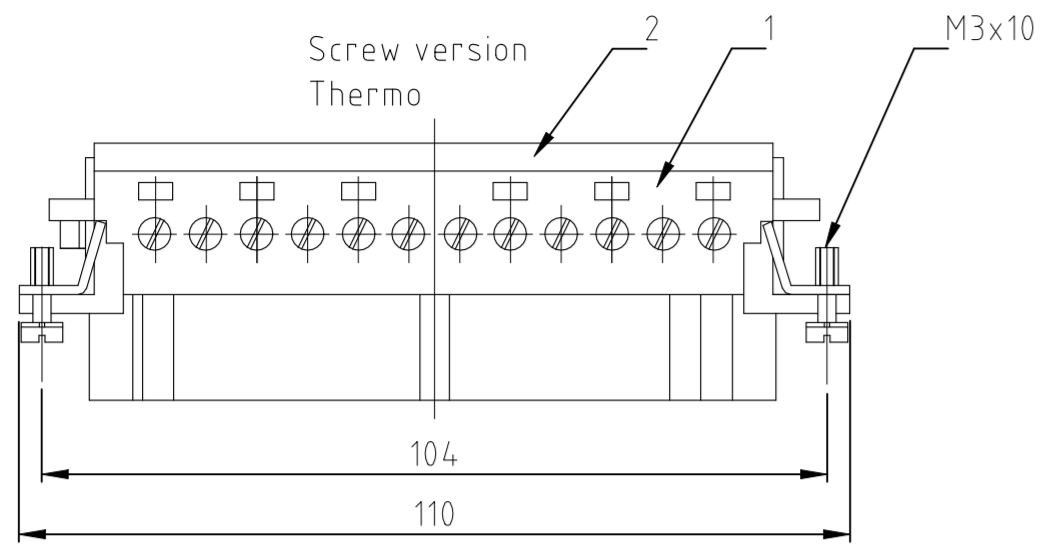
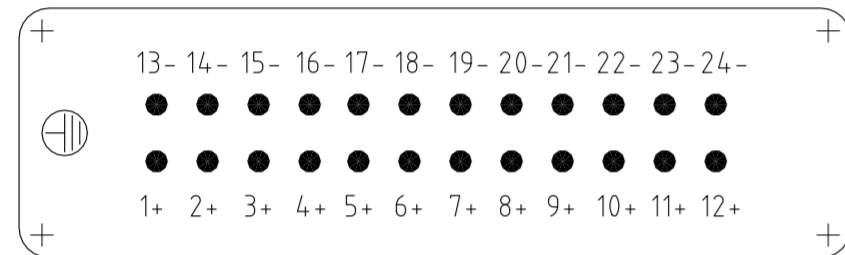


REVISIONS					
P	LTR	DESCRIPTION	DATE	DWN	APVD
E5		ECR-21-123503	06JUL2022	RK	JB



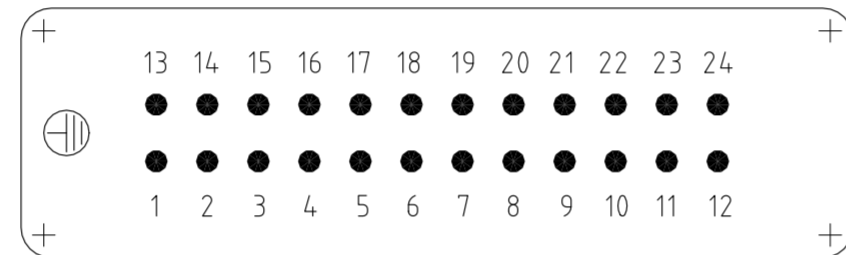
Contact arrangement view from termination side

Printing 1-24 Thermo

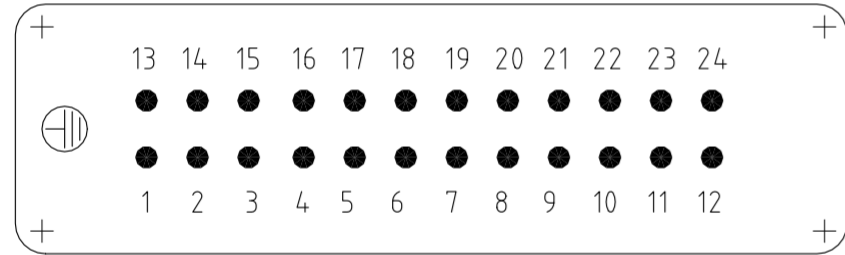


Contact arrangement view from termination side

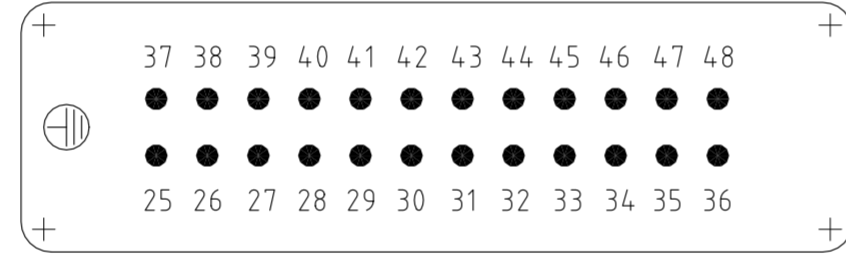
Printing 1-24



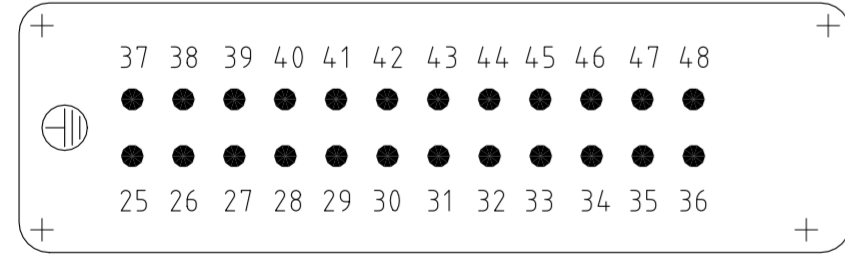
Printing 1-24 Screw



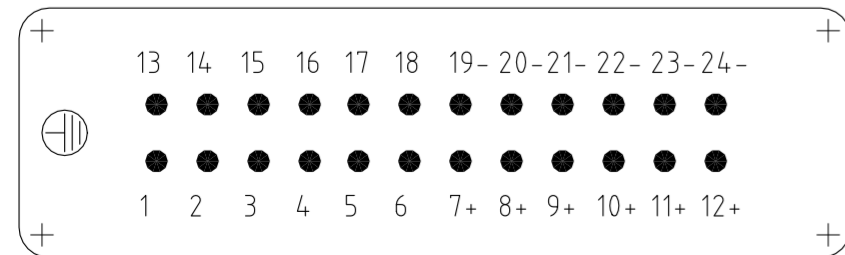
Printing 25-48



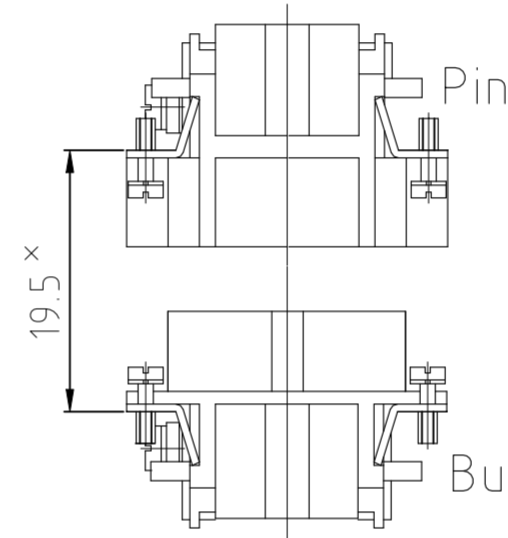
Printing 25-48 Screw



Printing 12+6+6 Screw/Thermo



assembly directions

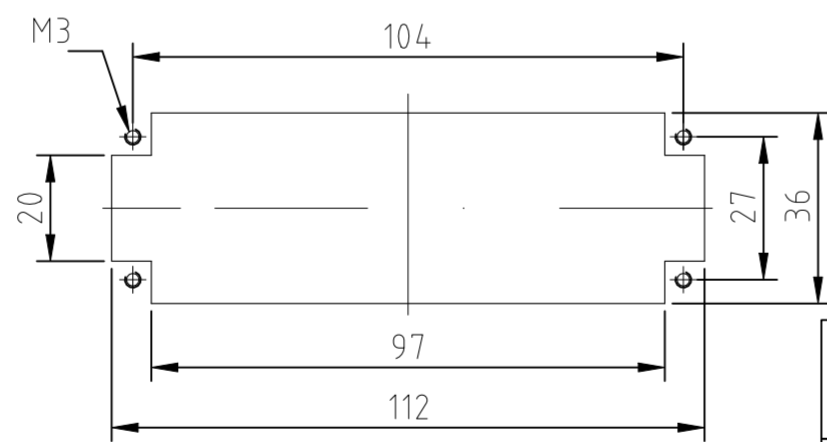


x distance for a safe contact max: max: 21 mm

NOTES:

- 1 SUITABLE CRIMP CONTACTS: SERIES HE/HA OUTER DIMENSIONS OF INSULATION: MAX. Ø3,2 MM
- 2 SUITABLE HOOD SIZE 8; 12: SERIES HB; HD; HIP; EMV SUITABLE INSERTION AND EXTRACTION TOOL: SCREWDRIVER 0,5x3 DIN 5264
- 3 Strip length: Screw connection 10mm Spring clamp connection 10mm Crimp connection 7.5mm
- 4 STANDARDS: DIN EN 61984; DIN EN 60664-1
- 5 PACKAGING: 5 SETS IN A CARTON, PRE-MOUNTED
- 6 SPECIAL PACKAGING: Krauss-Maffei PACKAGING UNIT: 220 PIECES

Panel cut-out for contact insert when used without housing



DESCRIPTION / BENENNUNG	MATERIAL	COLOR / FARBE	ITEM NO. POS.
Socket contact		light grey	5
Deckel Federklemmversion		light grey	4
Crimp Crimp version		light grey	3
Cover screw version		light grey	2
Buchseinsatz		light grey	1

THIS DRAWING IS A CONTROLLED DOCUMENT.

DATE: 08.02.2000

NAME: Schneider

TE Connectivity

Female insert HE.24.BU.S/C

SCALE: 1:1

SHEET: 1 of 1

REV: E5