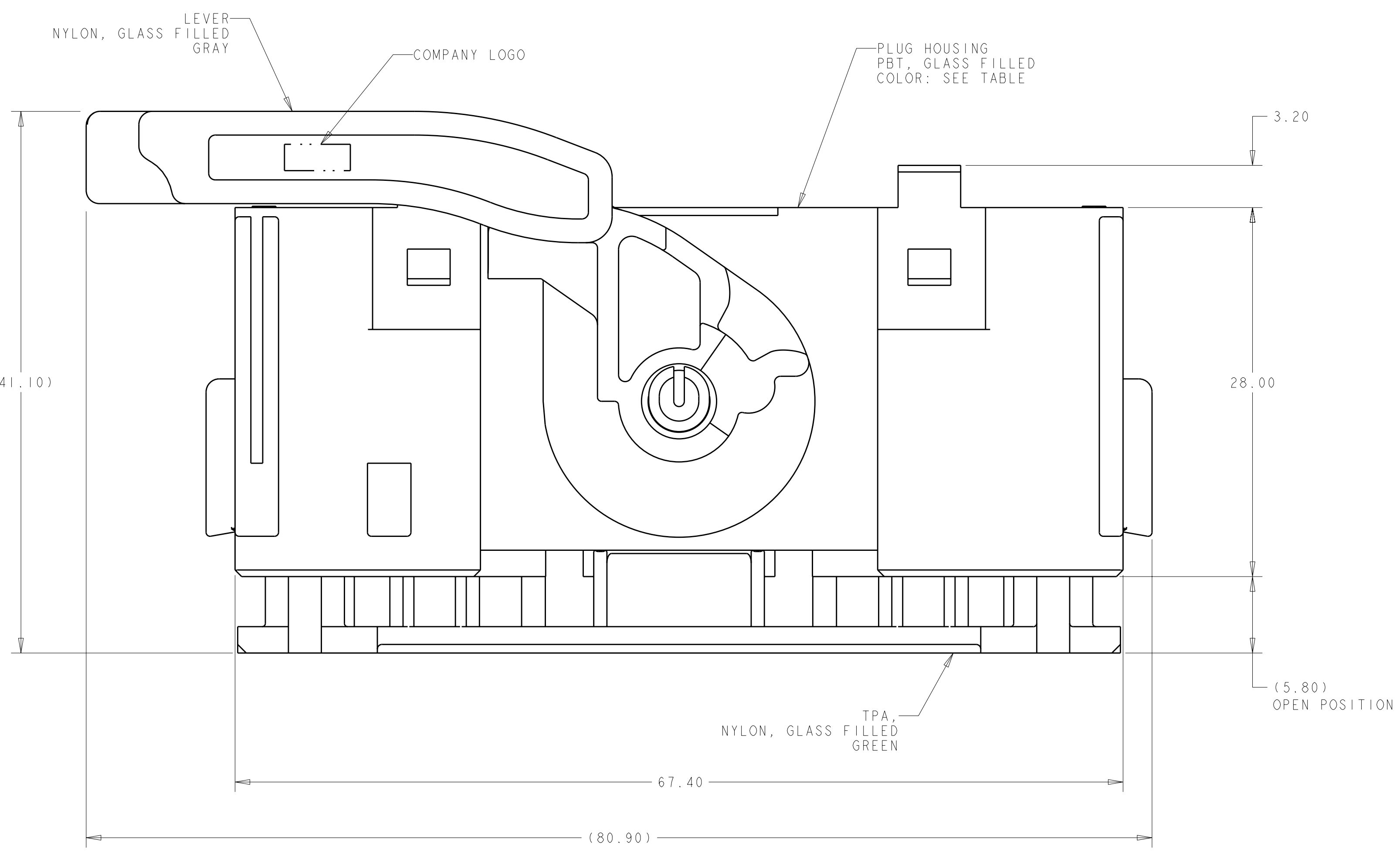
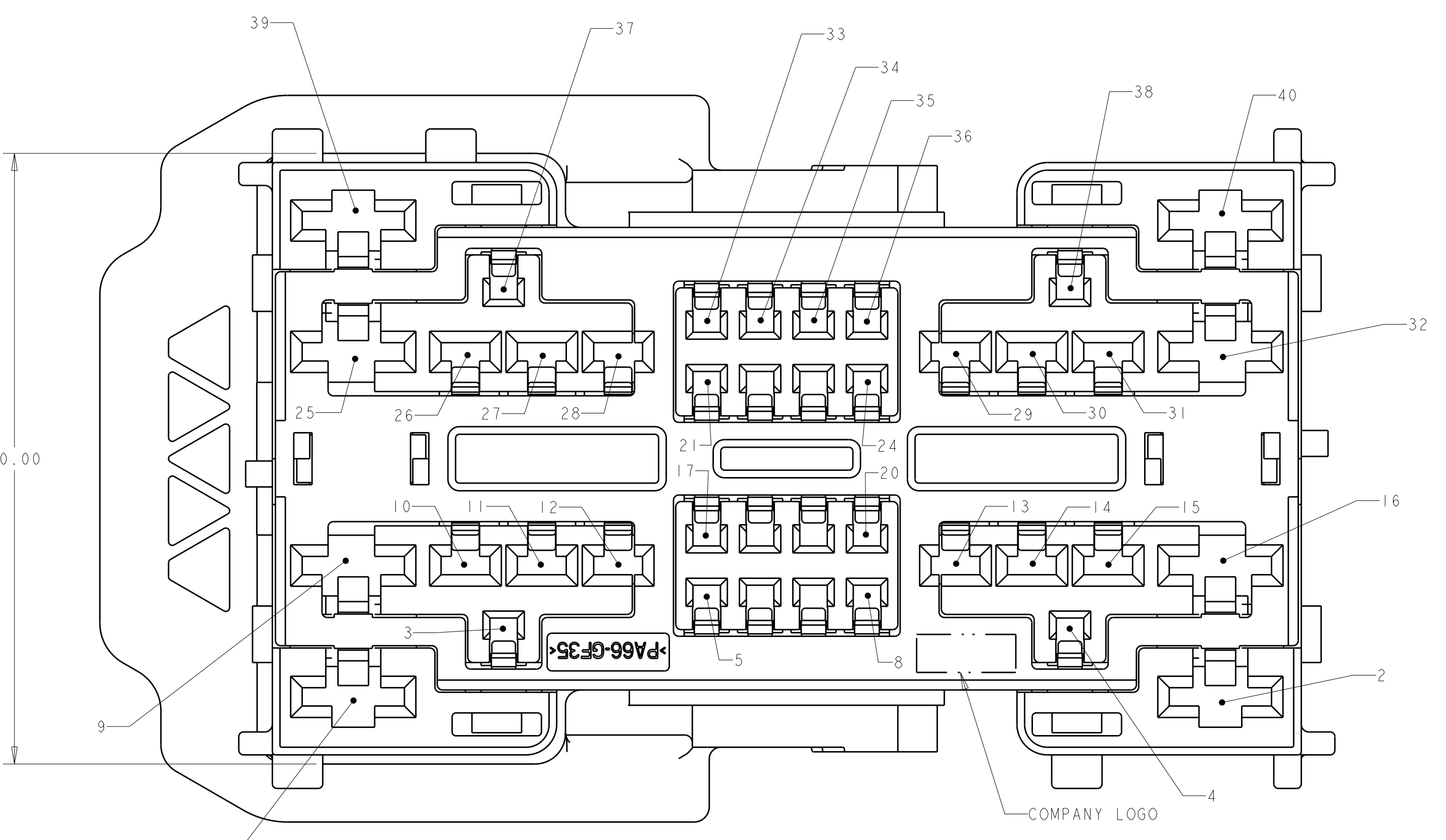


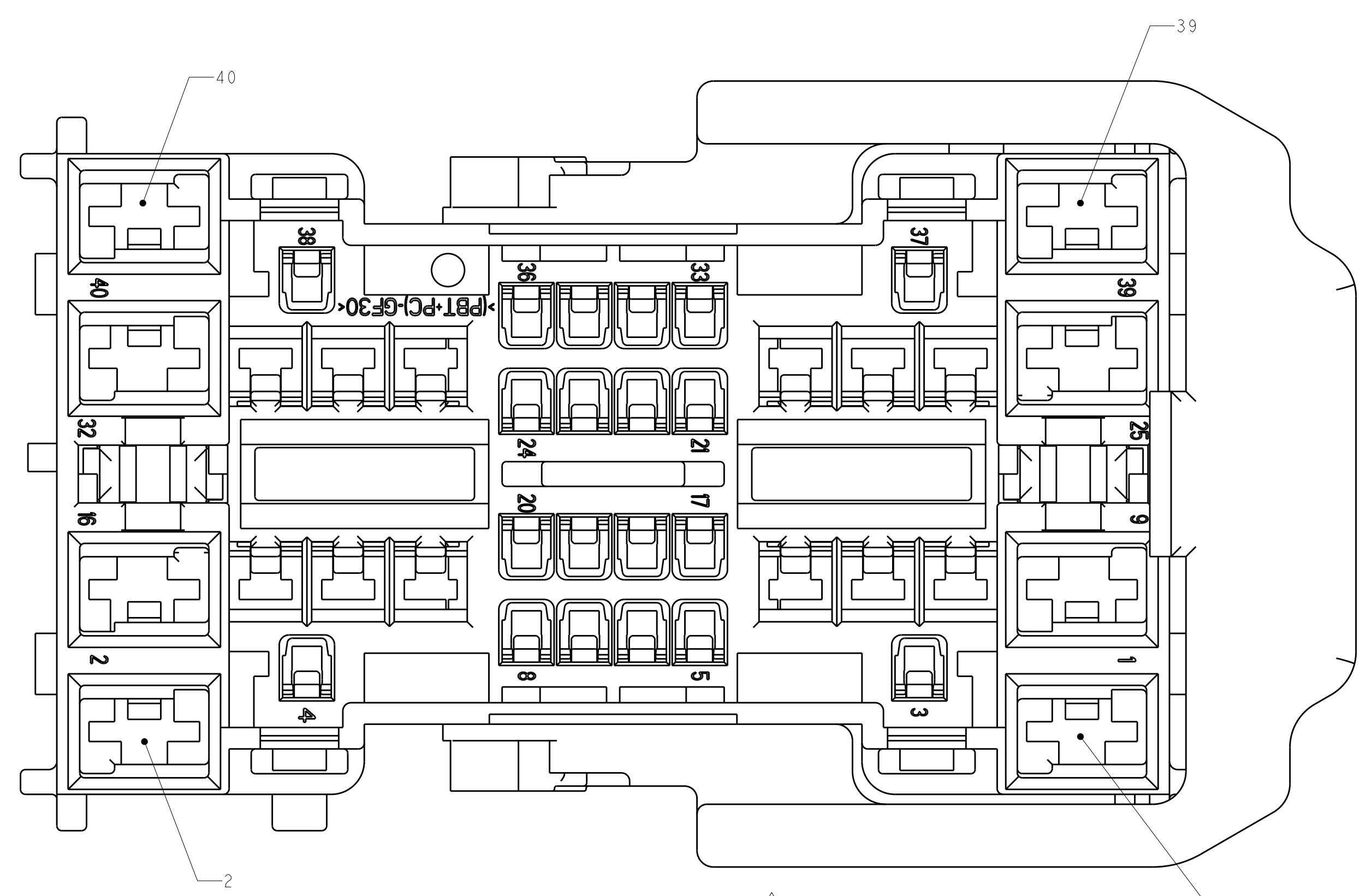
LOC		DIST		REVISIONS			
REV	DATE	BY	CHK	DESCRIPTION	DATE	DWN	APVD
C2				REVISED PER ECO-10-017186	27DEC2010	DLD	SLM



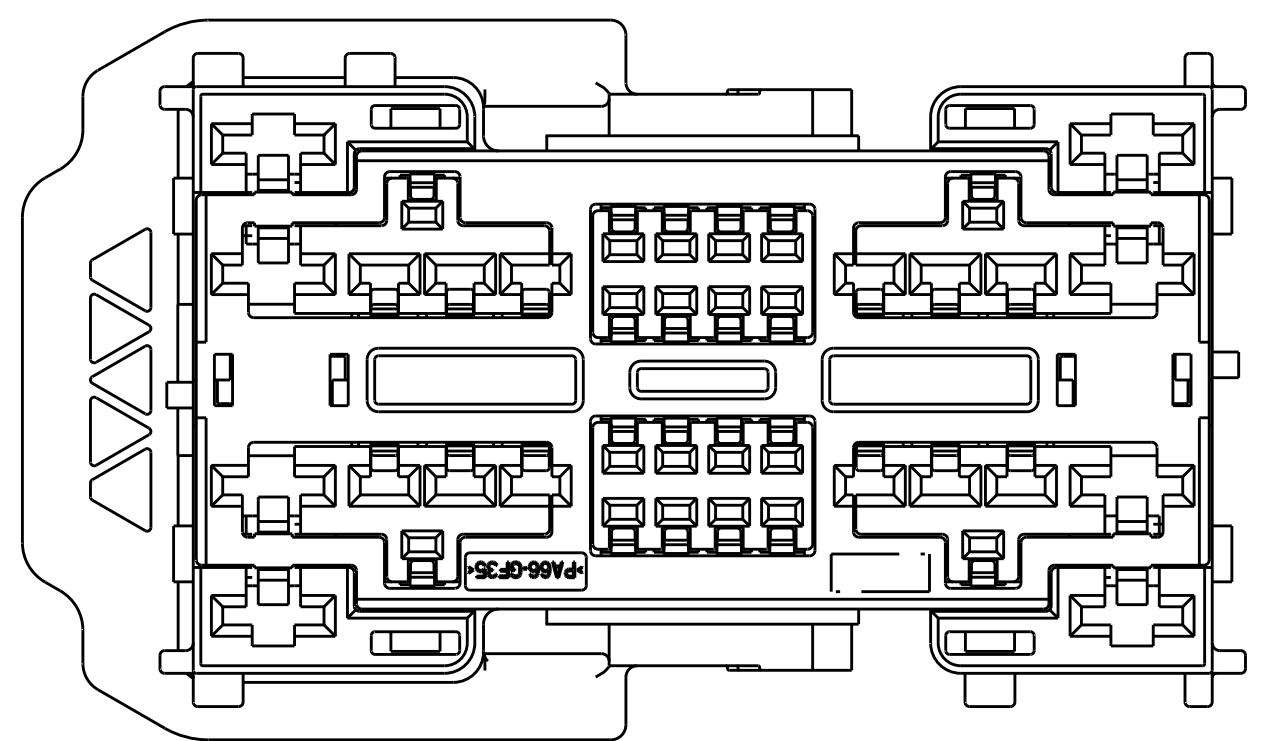
1. WIRE COVER, TYCO ELECTRONICS PART NUMBER 1488539 OR 1488540, MUST BE PURCHASED SEPERATELY.
  2. FOR ASSEMBLY INSTRUCTIONS, SEE TYCO ELECTRONICS INSTRUCTION SHEET 408-8768.
  3. FOR MATING AND UNMATING INSTRUCTIONS, SEE TYCO ELECTRONICS INSTRUCTION SHEET 408-8769.
  4. FOR INFORMATION ON THE MATING PART, SEE TYCO ELECTRONICS CUSTOMER DRAWING NUMBER 1488325.
- △ ADDITIONAL CIRCUIT NUMBER CALLOUTS ARE SHOWN ON DRAWING FOR CLARIFICATION ONLY AND DO NOT APPEAR ON ACTUAL CONNECTOR HOUSING.



MATING VIEW △  
CIRCUIT CAVITY NUMBERS SHOWN  
FOR 1488846-1 KEYING (BLACK)



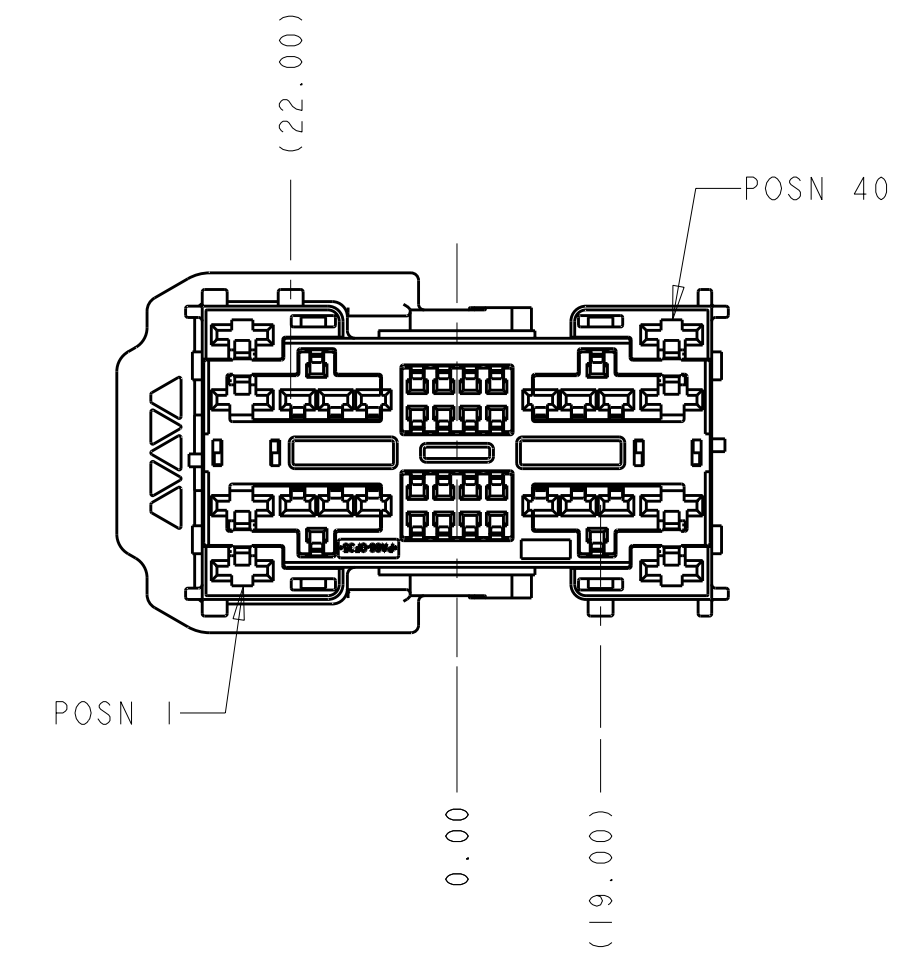
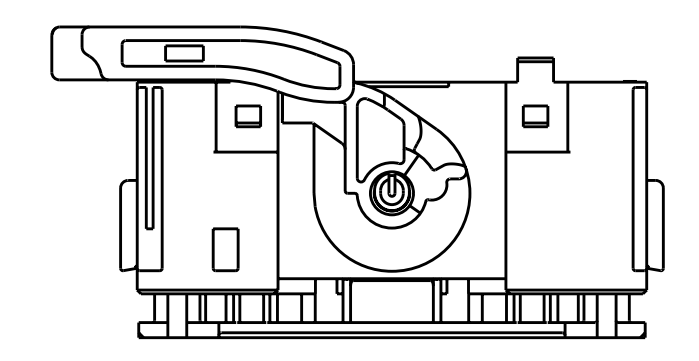
BACK HARNESS VIEW △



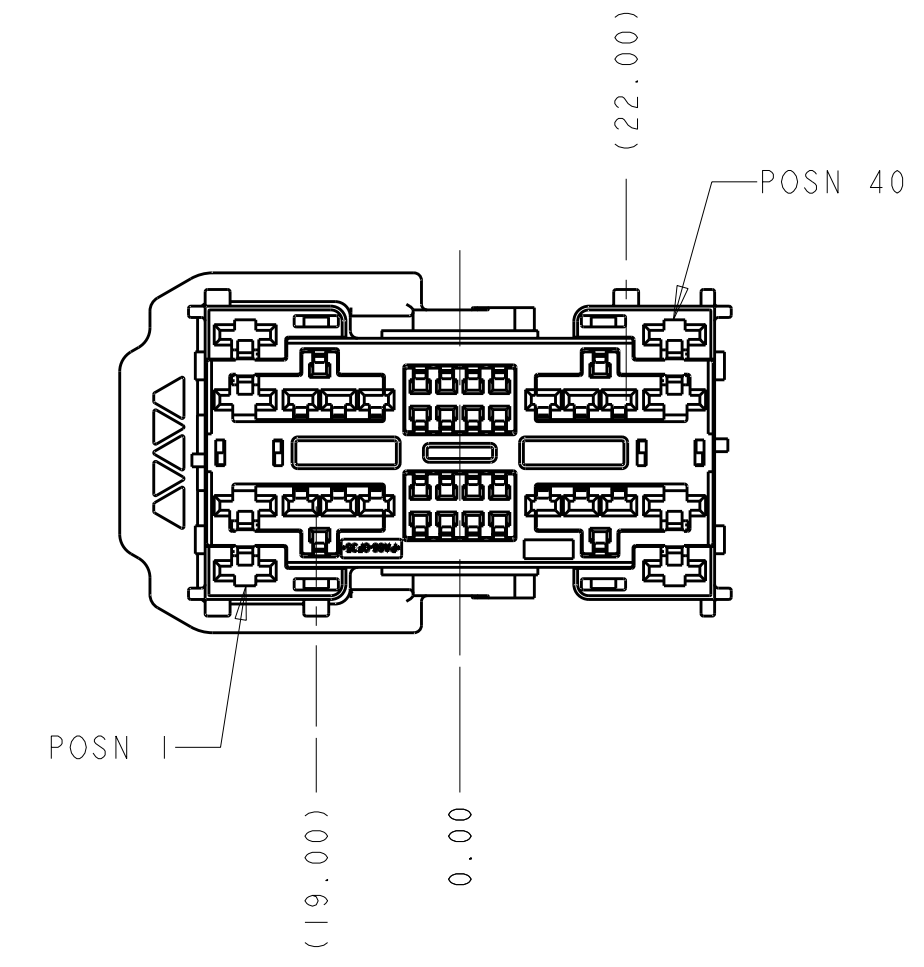
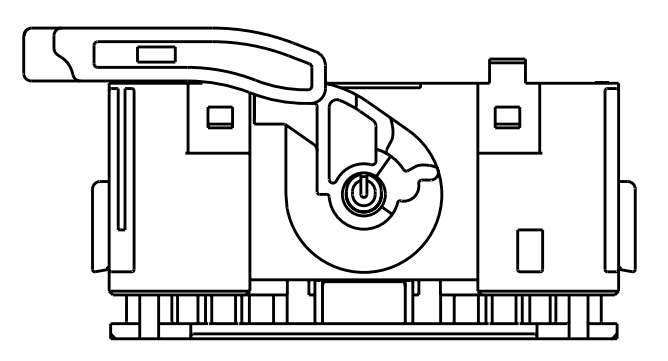
PLUG HOUSING COLOR	LEVER ORIENTATION	KEYING CODE	PLUG HOUSING COLOR REFERENCE	KEY CODE ARRANGEMENT REFERENCE	PART NUMBER
SEE VIEWS FOR 1488846-6			BROWN	C	1488846-6
SEE VIEWS FOR 1488846-5			BROWN	C	1488846-5
SEE VIEWS FOR 1488846-4			GRAY	B	1488846-4
SEE VIEWS FOR 1488846-3			BLACK	A	1488846-3
SEE VIEWS FOR 1488846-2			GRAY	B	1488846-2
SEE VIEWS FOR 1488846-1			BLACK	A	1488846-1

DIMENSIONS: mm 		TOLERANCES UNLESS OTHERWISE SPECIFIED: 9 PLC ± 1 PLC ±0.50 5 PLC ± 4 PLC ± ANGLES ± FINISH		DWN: D. AHERON TOSEP2003 CHK: GALEN MARTIN TOSEP2003 APVD: GALEN MARTIN TOSEP2003 PRODUCT SPEC: APPLICATION SPEC: WEIGHT: CUSTOMER DRAWING		Tyco Electronics Harrisburg, PA 17105-3608 NAME: PLUG ASSEMBLY, 40 POSITION, FOR 1.5, 2.8, 6.35 CONTACT SIZES, HYBRID SIZE: A1 CAGE CODE: 00779 DRAWING NO: C=1488846 SCALE: 4:1 SHEET: 1 OF 2 REV: C2	
-----------------------	--	--	--	--	--	--	--

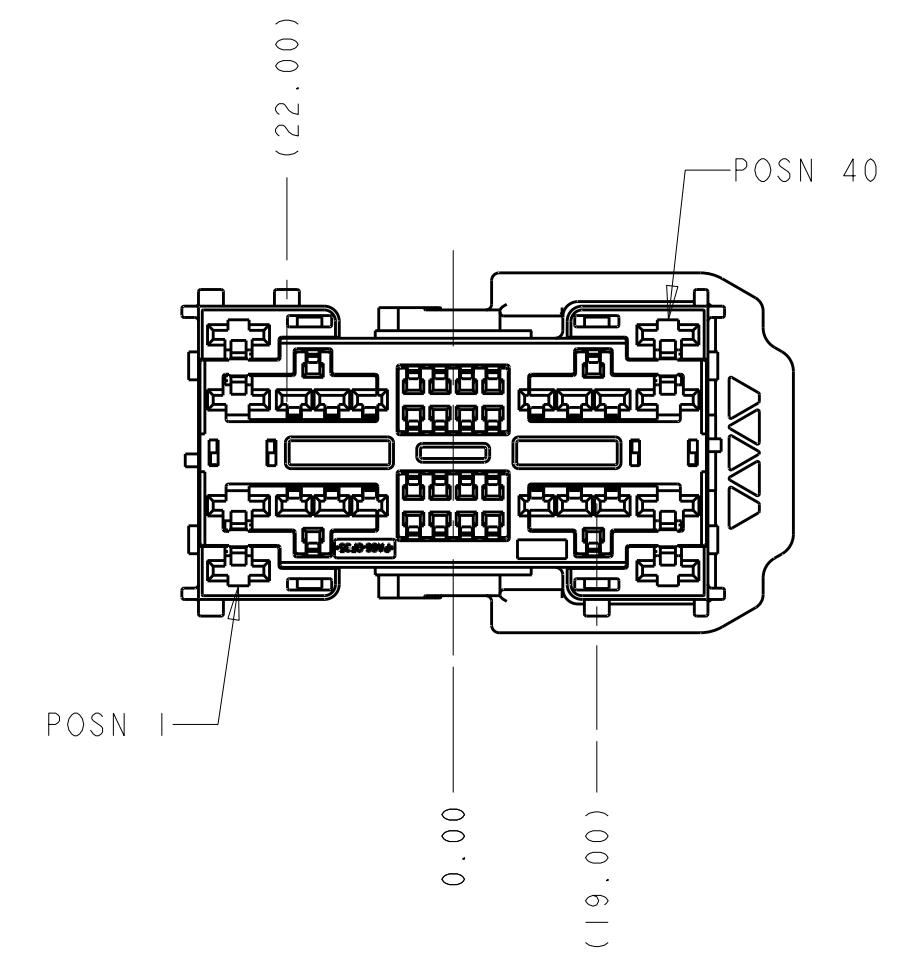
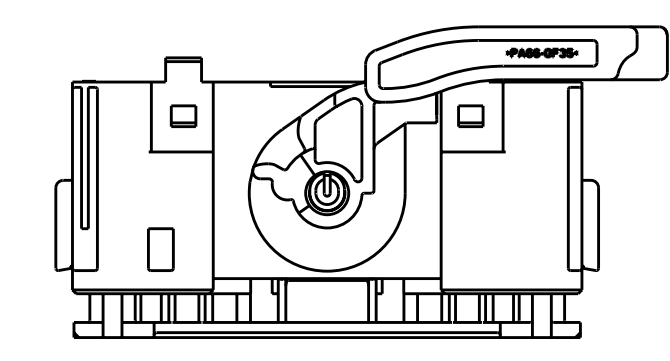
LOC	DIST	REV	DATE	BY	APPD
GE	00				



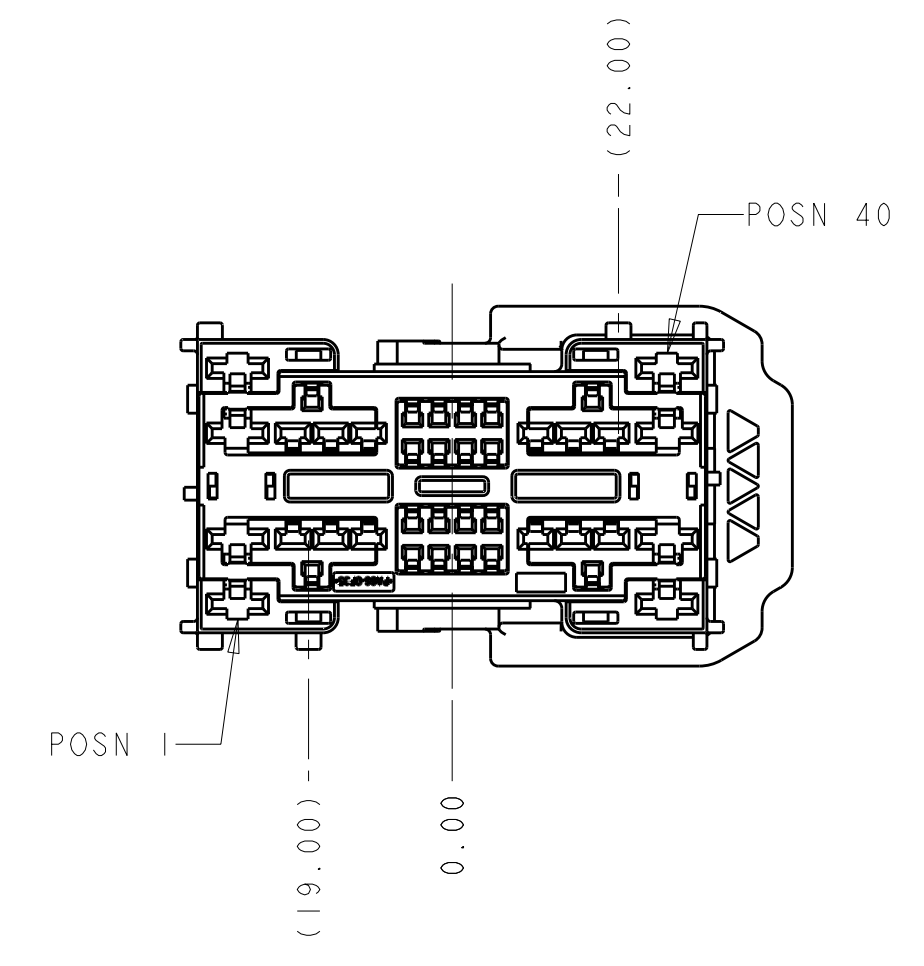
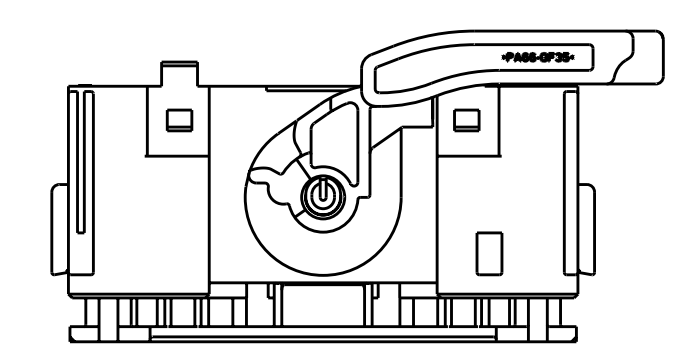
1488846-1  
 KEYING CODE: A  
 LEVER ORIENTATION: LEFT  
 PLUG HOUSING COLOR: BLACK  
 SCALE 1:1



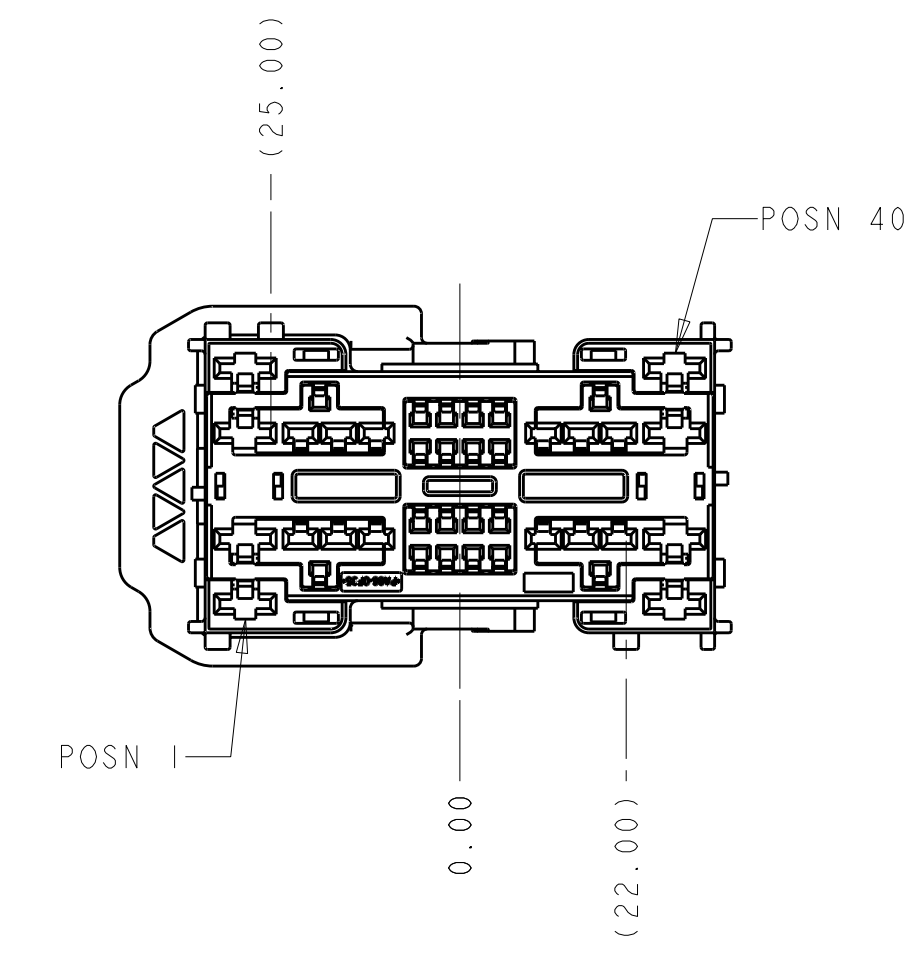
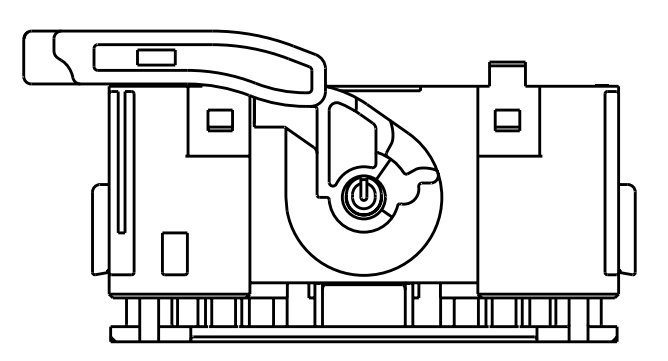
1488846-2  
 KEYING CODE: B  
 LEVER ORIENTATION: LEFT  
 PLUG HOUSING COLOR: GRAY  
 SCALE 1:1



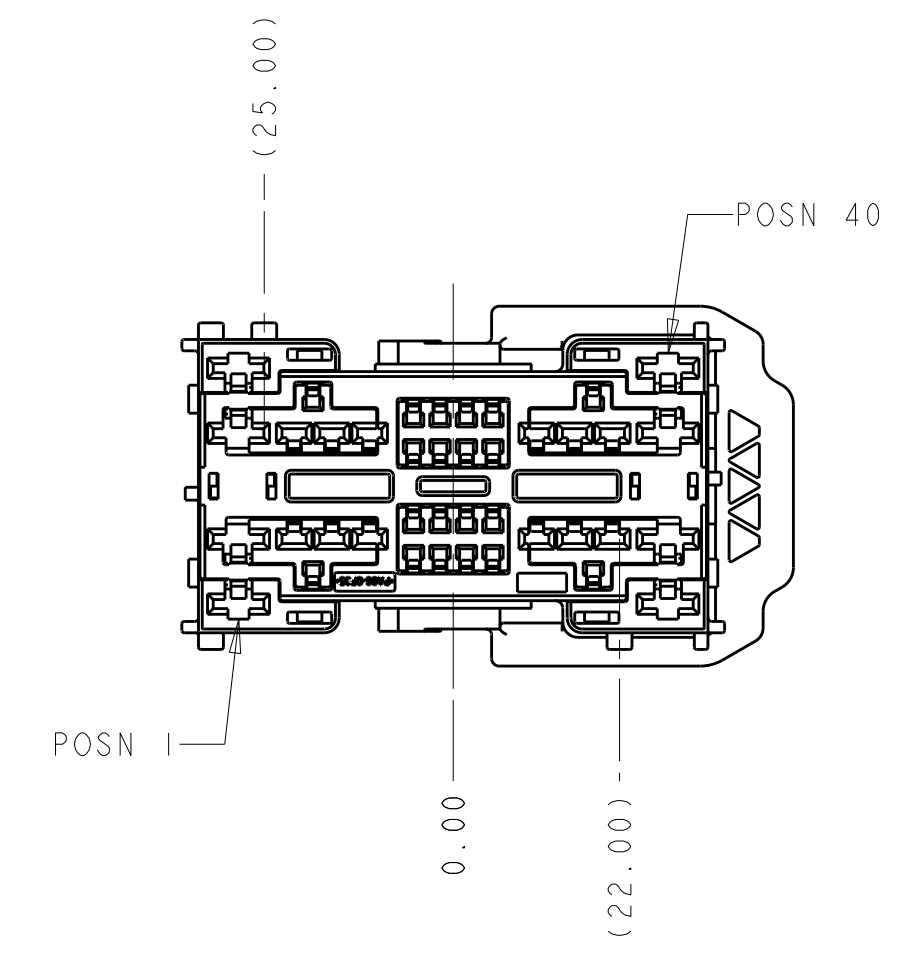
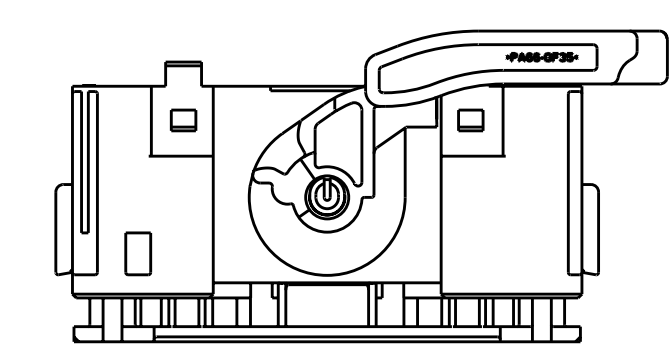
1488846-3  
 KEYING CODE: A  
 LEVER ORIENTATION: RIGHT  
 PLUG HOUSING COLOR: BLACK  
 SCALE 1:1



1488846-4  
 KEYING CODE: B  
 LEVER ORIENTATION: RIGHT  
 PLUG HOUSING COLOR: GRAY  
 SCALE 1:1



1488846-5  
 KEYING CODE: C  
 LEVER ORIENTATION: LEFT  
 PLUG HOUSING COLOR: BROWN  
 SCALE 1:1



1488846-6  
 KEYING CODE: C  
 LEVER ORIENTATION: RIGHT  
 PLUG HOUSING COLOR: BROWN  
 SCALE 1:1

VIEWS FOR LEVER ORIENTATION, KEYING CODE ARRANGEMENT, AND PLUG HOUSING COLOR

<small>THIS DRAWING IS UNPUBLISHED. RELEASED FOR PUBLICATION BY TYCO ELECTRONICS CORPORATION. IT IS SUBJECT TO CHANGE WITHOUT NOTICE AND WITHOUT OBLIGATION. SHOULD BE CONTACTED FOR THE LATEST REVISION.</small>		DWN: D. AHERON CHK: JOSEP2003 APD: GALEN MARTIN PRODUCT SPEC: - APPLICATION SPEC: - WEIGHT: - CUSTOMER DRAWING: -	Tyco Electronics Harrisburg, PA 17105-3608
DIMENSIONS: mm TOLERANCES UNLESS OTHERWISE SPECIFIED: 9 PLC ± 1 PLC ±0.50 3 PLC ± 4 PLC ± ANGLES ± FINISH: - SEE CALL OUT: -	NAME: PLUG ASSEMBLY, 40 POSITION, FOR 1.5, 2.8, 6.35 CONTACT SIZES, HYBRID SIZE: A CAGE CODE: 00779 DRAWING NO: C-1488846 RESTRICTED TO: -	SCALE: 4:1 SHEET: 2 OF 2 REV: C2	Tyco Electronics logo