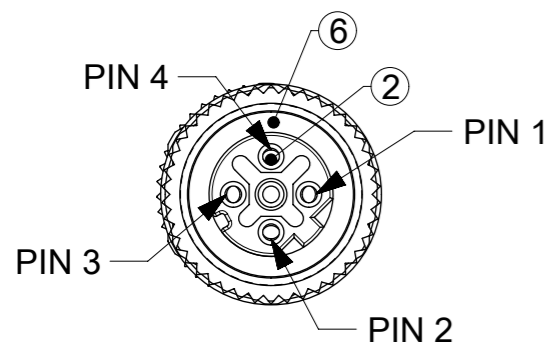
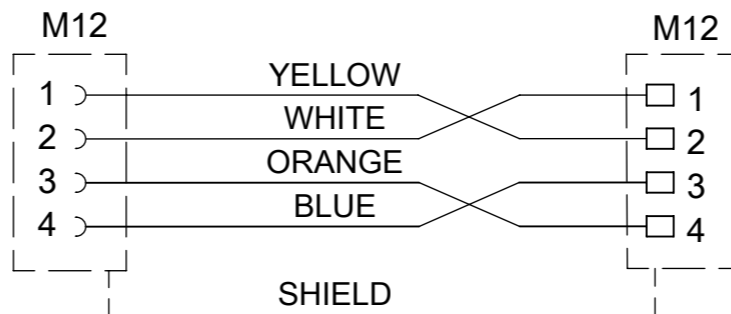


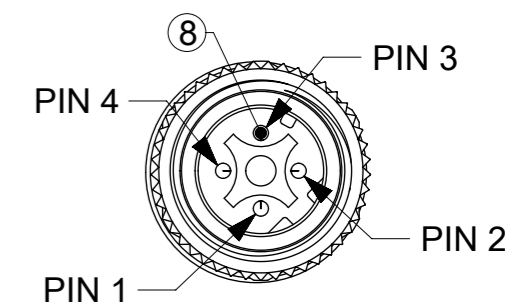
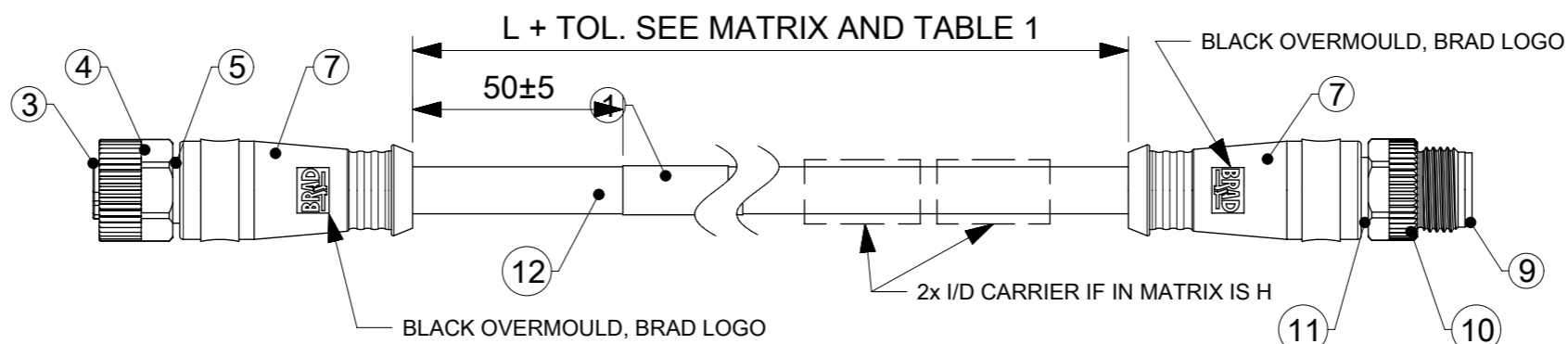
TABLICA TOLERANCJI DŁUGOŚCI TABLE OF LENGTH TOLERANCES		
POWYŻEJ OVER	DO I WŁĄCZNIE Z UP TO AND INCLUDING	TOLERANCJA (+) TOLERANCE
0	1000	+40 0
1000	5000	+60 0
5000	10000	+80 0
10000	20000	+140 0
20000	30000	+160 0
30000	>	+1% DŁUGOŚCI OF LENGTH

REVISION A	ORIGINAL RELEASE
REVISION A1	NEW PN ADDED

WIRING DIAGRAM



VIEW FROM THE FRONT SIDE
(SCALE 2:1)



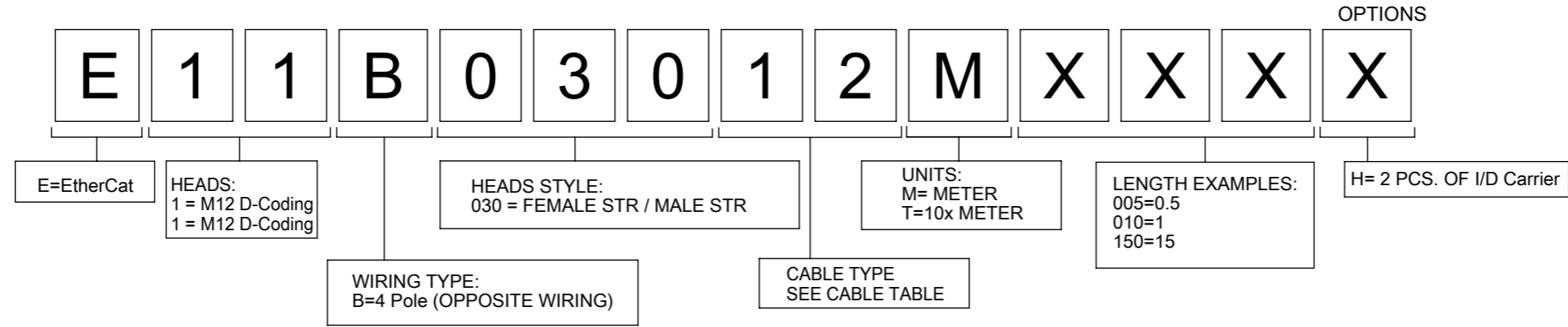
VIEW FROM THE FRONT SIDE
(SCALE 2:1)

BILL OF MATERIALS

ITEM	QTY	DESCRIPTION	MATERIAL	FINISH
12	1	LABEL WH	-	-
11	1	SLEEVE MA	BRASS	NICKEL PLATED
10	1	LOCKING NUT MA	BRASS	NICKEL PLATED
9	1	INSERT MA 4P DCODE BK	PUR	-
8	4	TERMINAL MA	COPPER ALLOY	GOLD OVER NICKEL
7	-	MOLDING MATERIAL BK	TPU	-
6	1	GASKET ORING RD	FPM	-
5	1	SLEEVE FE	BRASS	NICKEL PLATED
4	1	LOCKING NUT FE	BRASS	NICKEL PLATED
3	1	INSERT FE 4P DCODE BK	PUR	-
2	4	TERMINAL FE	COPPER ALLOY	GOLD OVER NICKEL
1	-	CABLE 2x2x22AWG D6.7 GN	TPU-SPEC	-
ITEM	QTY	DESCRIPTION	MATERIAL	FINISH

THIS DRAWING CONTAINS INFORMATION THAT IS PROPRIETARY TO MOLEX ELECTRONIC TECHNOLOGIES, LLC AND SHOULD NOT BE USED WITHOUT WRITTEN PERMISSION										
EC NO: 119341 DRWN: DSTACHOWIAK CHK'D: APPR: MIWASIECZKO	2017/07/13 2017/07/17	GENERAL TOLERANCES (UNLESS SPECIFIED)		DIMENSION UNITS	SCALE	 MIC 4P M/FE ST/ST D-CODED XM PRODUCT CUSTOMER DRAWING SERIES: 130048 MATERIAL NUMBER: SEE MATRIX AND TABLE 1 CUSTOMER: 1300488179 DOCUMENT NUMBER: 1300488179 DOC TYPE: PSD DOC PART: 000 SHEET NUMBER: 1 OF 2				
		ANGULAR TOL ± °		MM	1:1					
		4 PLACES ±	DRWN BY	DATE	DSTACHOWIAK 2017/05/10					
		3 PLACES ±	CHK'D BY	DATE						
		2 PLACES ±	APPR BY	DATE	MIWASIECZKO 2017/05/11					
		1 PLACE ±	DRAWING SIZE	THIRD ANGLE PROJECTION	A3					
		0 PLACES ±	DRAFT WHERE APPLICABLE MUST REMAIN WITHIN DIMENSIONS							

PART No MATRIX



CABLE TABLE

CABLE TYPE	WIRE GAUGE	CABLE JACKET	UL	CSA	TEMPERATURE RANGE: STATIC	TEMPERATURE RANGE: DINAMIC	DRAG CHAIN TESTED	SHIELD
12	0.34 mm ²	TPU BASED	STYLE 21215	YES	-40°C TO +80°C	-20°C TO +60°C	2 MIO CYCLES	YES

TABLE 1

MOLEX PN	ENGINEERING No.	L[mm]
1300488179	E11B03012M010	1000
1300488180	E11B03012M050	5000
1300488181	E11B03012M100	10000
1300488183	E11B03012M015	1500

THIS DRAWING CONTAINS INFORMATION THAT IS PROPRIETARY TO MOLEX ELECTRONIC TECHNOLOGIES, LLC AND SHOULD NOT BE USED WITHOUT WRITTEN PERMISSION

EC NO: 119341 DRWN: DSTACHOWIAK CHK'D: APPR: MIWASIECZKO	2017/07/13 2017/07/17	GENERAL TOLERANCES (UNLESS SPECIFIED)		DIMENSION UNITS	SCALE	molex [®]		
		ANGULAR TOL ± °		MM	1:1			
		4 PLACES ±	DRWN BY		DATE			
		3 PLACES ±	DSTACHOWIAK		2017/05/10			
		2 PLACES ±	CHK'D BY		DATE			
1 PLACE ±	APPR BY		DATE	PRODUCT CUSTOMER DRAWING				
0 PLACES ±	MIWASIECZKO		2017/05/11	DRAWING SIZE	THIRD ANGLE PROJECTION	SERIES	MATERIAL NUMBER	CUSTOMER
DRAFT WHERE APPLICABLE MUST REMAIN WITHIN DIMENSIONS		A3		130048	SEE MATRIX AND TABLE 1			
A1	REV			DOCUMENT NUMBER		DOC TYPE	DOC PART	SHEET NUMBER
				1300488179		PSD	000	2 OF 2