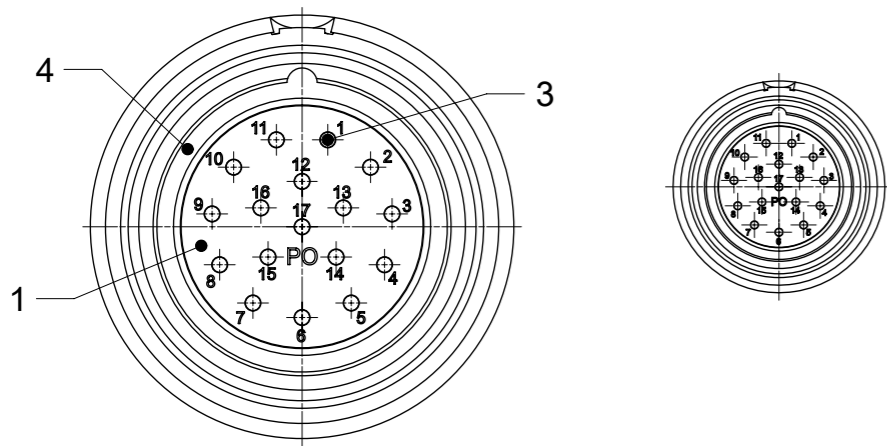
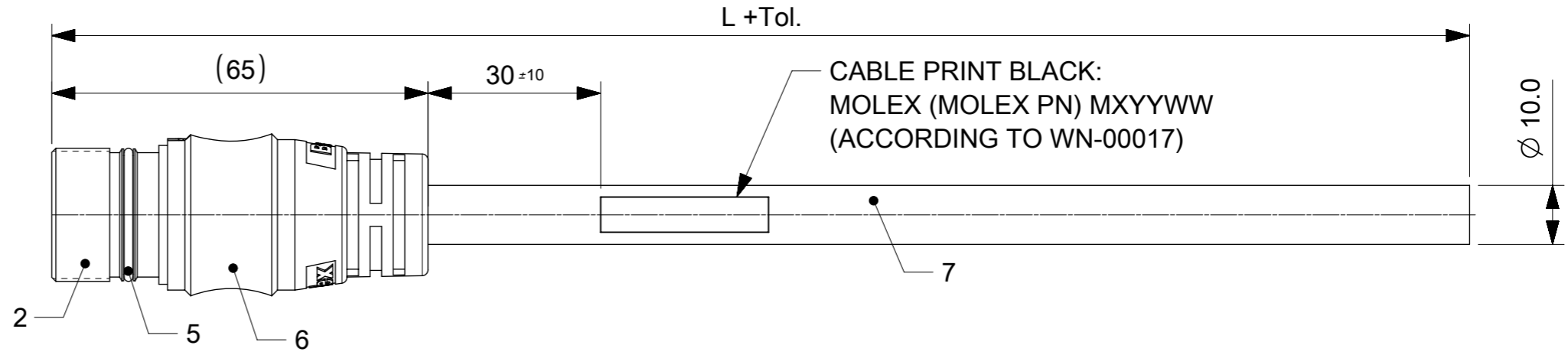


Connector pin assignment
Plug M23 17P MA



SCALE 2:1



Technical Data:

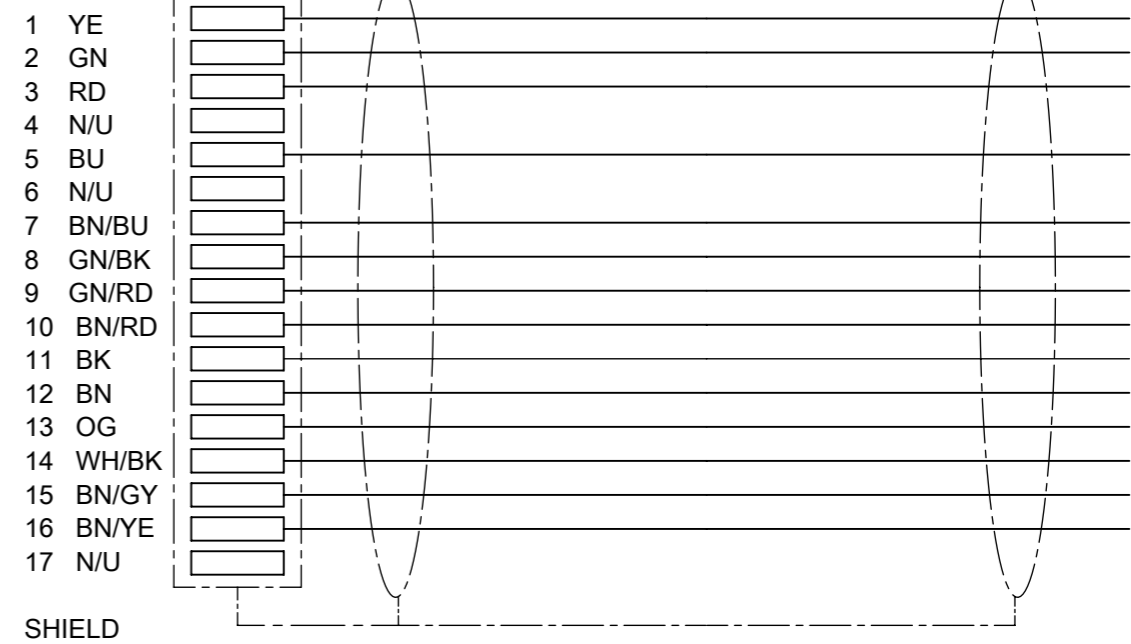
Contact Ø [mm]	1
Nominal current [A]	4,5 (for 0.50mm ² and for 0.25mm ²) / 3 (for 0.14mm ²)
Nominal voltage [V~]	160
Degree of pollution	3
Test voltage [V~]	1000
Max. contact resistance [mΩ]	3
Insulation resistance [MΩ]	> 100
Protection	IP67 (connected)
Temperature range (fixed)	-40°C to 90°C
Temperature range (flex)	-25°C to 80°C

Further technical data see
Product Specification 1204900050
Electrical Test according to 1204900051

Packaging:
The cordsets delivered packed into Carton.

Plug M23
17P MA

WIRING DIAGRAM



- 1 YE
- 2 GN
- 3 RD
- 4 N/U
- 5 BU
- 6 N/U
- 7 BN/BU
- 8 GN/BK
- 9 GN/RD
- 10 BN/RD
- 11 BK
- 12 BN
- 13 OG
- 14 WH/BK
- 15 BN/GY
- 16 BN/YE
- 17 N/U

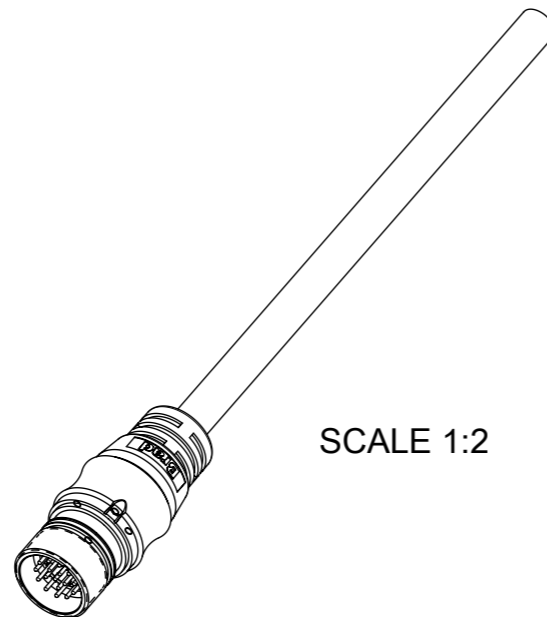
SHIELD CONNECTED TO SHELL

TABLE 2

ITEM	QTY	DESCRIPTION	MATERIAL	FINISH
1	1	INSERT M23 MALE 17P BLACK	PA66	-
2	1	SHELL M23 MALE	BRASS	NICKEL PLATED
3	17	CONTACT 10 MALE	BRASS	GOLD
4	1	GASKET OR 17X2 BLACK	NBR	-
5	1	GASKET OR 20X1.5 BLACK	NBR	-
6	-	OVERMOLD BLACK	TPU	-
7	-	CABLE 3X(2X0.14)+2X0.50+4X0.14+4X0.25 WS	WSOR	-

TABLE 1

MOLEX PN	ENGINEERING No.	L [mm]	Tol. [mm]
1204900521	K0SJS06W10M010	1000	+40
1204900522	K0SJS06W10M020	2000	+60
1204900523	K0SJS06W10M030	3000	+60
1204900524	K0SJS06W10M040	4000	+60
1204900525	K0SJS06W10M050	5000	+60
1204900526	K0SJS06W10M100	10000	+80
1204900527	K0SJS06W10M150	15000	+140
1204900528	K0SJS06W10M200	20000	+140



SCALE 1:2

THIS DRAWING CONTAINS INFORMATION THAT IS PROPRIETARY TO MOLEX ELECTRONIC TECHNOLOGIES, LLC AND SHOULD NOT BE USED WITHOUT WRITTEN PERMISSION

SYMBOLS	THIS DRAWING DIMENSION UNITS	SCALE	CURRENT REV DESC:
	mm	1:1	
▽ = 0	GENERAL TOLERANCES (UNLESS SPECIFIED)		EC NO: 628246 DRWN: SSM 2019/11/27 CHK'D: RSILLER 2019/11/28 APPR: RSILLER 2019/11/28
▽ = 0	ANGULAR TOL ± 1.0°		
▽ = 0	4 PLACES ±	INITIAL REVISION:	DOCUMENT NUMBER: 1204900521 DOC TYPE: PSD DOC PART: 000 REVISION: A3
▽ = 0	3 PLACES ±		
▽ = 0	2 PLACES ± 0.05	DRWN: FGAIK 2016/12/15 APPR: RSILLER 2017/02/02	MATERIAL NUMBER: SEE TABLE 1 CUSTOMER: GENERAL MARKET
▽ = 0	1 PLACE ± 0.3		
▽ = 0	0 PLACES ± 0.5	THIRD ANGLE PROJECTION	SHEET NUMBER: 1 OF 1
▽ = 0	DRAFT WHERE APPLICABLE MUST REMAIN WITHIN DIMENSIONS		