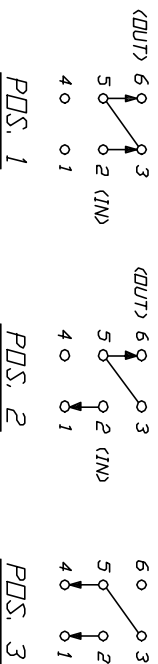


RECOMMENDED PCB LAYOUT

SWITCH FUNCTION			
PDS. 1	PDS. 2	PDS. 3	
DN	DN	(DN)	
2-3,5-6	2-3,5-4	2-1,5-4	

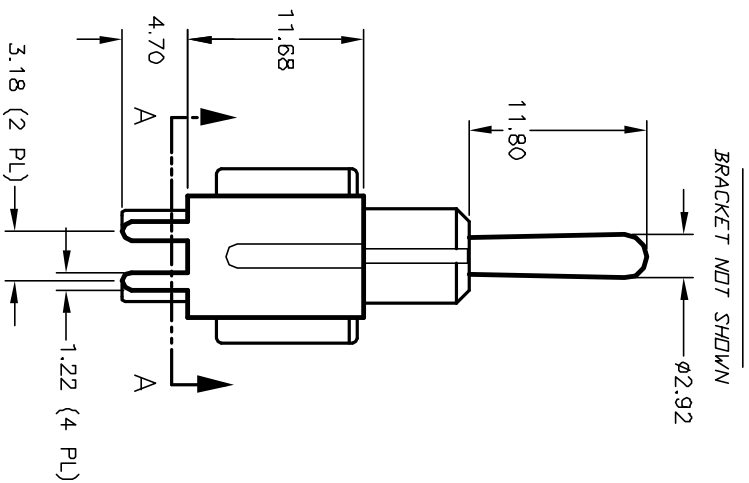
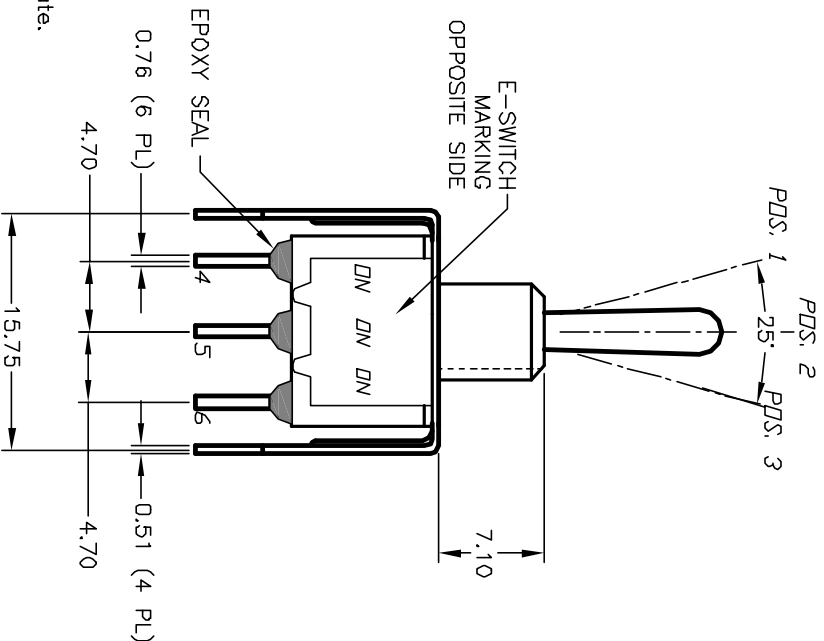
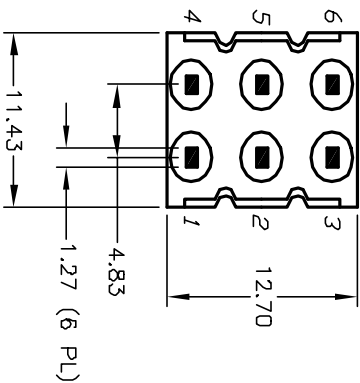
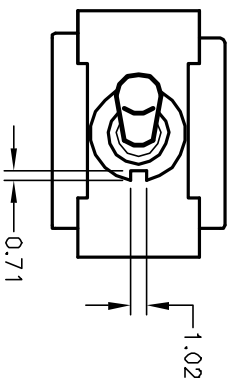
() = Momentary



CIRCUIT: DPDT 3-WAY

NOTE: JUMPER PIN 3 TD PIN 5

- NOTES:
1. ALL DIMENSIONS IN MM
 2. GENERAL TOLERANCE: X.X=±0.4
X.XX=±0.25
 3. TERMINAL NUMBERS FOR REF ONLY
 4. RATING: 0.4(VA) Max. @20V (AC or DC)
 5. FIXED TERM. & MOVING CONTACT: Copper Alloy
 6. ELECTRIC LIFE: 50,000 make-and-break cycles
at full load.
w/Gold Plate over Ni plate.
 7. INSULATION RESISTANCE: 1,000 Mega-ohm min.
 8. DIELECTRIC STRENGTH: 1,000 V RMS @sea level.
 9. OPERATING TEMP.: -30°C to 85°C



REV. A	ECN NO. 12526	RELEASED	10/28/02	CJB	TITLE	100 DP-7 T1 B4 V52 R E	SCALE	2:1	DATE	10/28/02	DR	CJB	DWG	T121736	REV	A
		DESCRIPTION	DATE	CHKD												

THE INFORMATION CONTAINED IN THIS DOCUMENT IS PRELIMINARY TO E-SWITCH AND IS NOT TO BE COPIED OR TRANSMITTED

