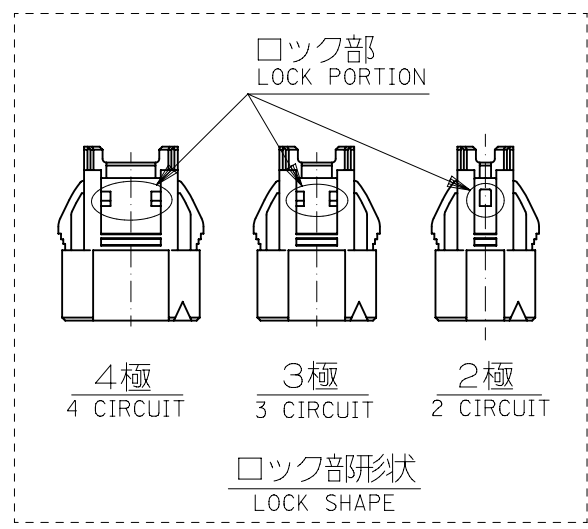
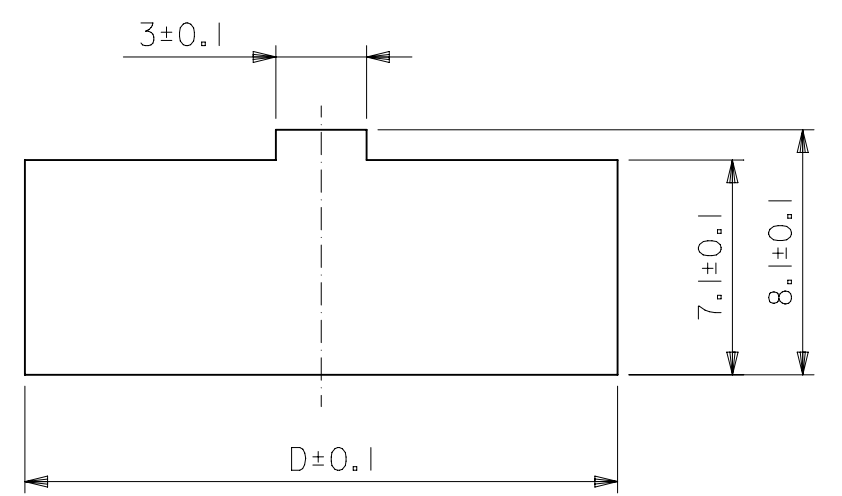


ターミナル装着状態図
TERMINAL ASSEMBLY DRAWING



注記 NOTES.
 1. 適合端子 : 50837-8*00
 APPLICABLE TERMINAL
 2. 本図は、5極を示す。
 5 CIRCUIT VERSION IS SHOWN
 IN THIS DRAWING.
 3. ハウジングは、パネル打ち抜き側から
 挿入すること。
 INSERT HOUSING FROM PUNCH
 SIDE OF PANEL



参考パネルスロット寸法
PANEL SLOT DIM.(REF.)
 (パネル厚: 0.8 ~ 2.0)
 (THICKNESS : 0.8 ~ 2.0)

44.6	46.7	45.7	39.9	51198-1500	15
42.1	44.2	43.2	37.4	-1400	14
39.6	41.7	40.7	34.9	-1300	13
37.1	39.2	38.2	32.4	-1200	12
34.6	36.7	35.7	29.9	-1100	11
32.1	34.2	33.2	27.4	-1000	10
29.6	31.7	30.7	24.9	-0900	9
27.1	29.2	28.2	22.4	-0800	8
24.6	26.7	25.7	19.9	-0700	7
22.1	24.2	23.2	17.4	-0600	6
19.6	21.7	20.7	14.9	-0500	5
17.1	19.2	18.2	12.4	-0400	4
14.6	16.7	15.7	9.9	-0300	3
12.1	14.2	13.2	7.4	51198-0200	2
D	C	B	A	製品番号 MATERIAL NO.	NO. OF CIRCUIT

THIS DRAWING CONTAINS INFORMATION THAT IS PROPRIETARY TO MOLEX ELECTRONIC TECHNOLOGIES, LLC AND SHOULD NOT BE USED WITHOUT WRITTEN PERMISSION

DIMENSION UNITS	SCALE	CURRENT REV DESC:		molex		
mm	4:1					
GENERAL TOLERANCES (UNLESS SPECIFIED)				2.5 WIRE TO BOARD CONN. PANEL MOUNT HSG		
ANGULAR TOL ± 3.0°				PRODUCT CUSTOMER DRAWING		
4 PLACES ±		EC NO: 698824		DOCUMENT NUMBER		DOC TYPE DOC PART REVISION
3 PLACES ±		DRWN: RWATANABE01	2022/02/03	SD-51198-002		PSD 001 D
2 PLACES ±		CHK'D: AIDA	2022/03/16			
1 PLACE ± 0.2		APPR: SAKIYAMA	2022/03/17			
0 PLACES ± 0.2		INITIAL REVISION:				
DRAFT WHERE APPLICABLE MUST REMAIN WITHIN DIMENSIONS				MATERIAL NUMBER		CUSTOMER
THIRD ANGLE PROJECTION				SEE CHART		GENERAL MARKET
DRAWING				SERIES		SHEET NUMBER
A3-SIZE				51198		1 OF 1

MATERIAL
 ポリエステル(PBT) POLYESTER
 色: 白 COLOR: WHITE
 UL94V-0