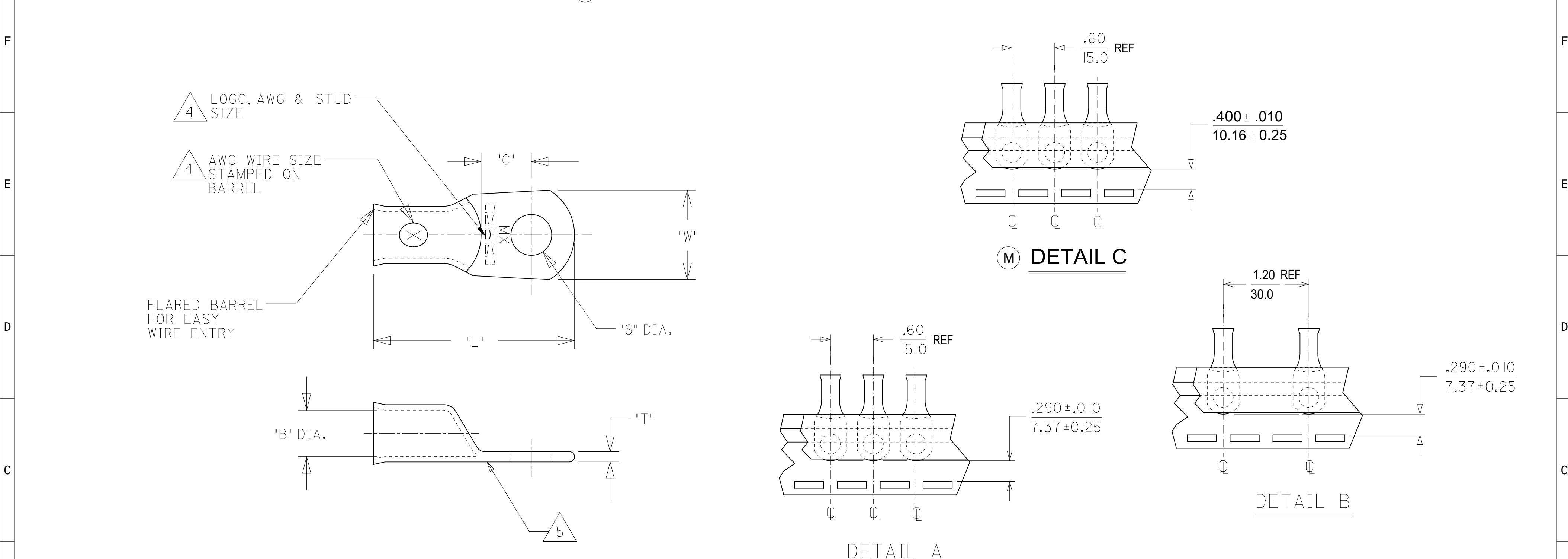


| 12 | 11 | 10 | 9 | 8 | 7 | 6 | 5 | 4 | 3 | 2 | 1 | | | | | |
|--------------------------|----------------------|---------------------------|---------------------------|------------------------|---------------------------|-------------------------|-------------------------|------------|-----------|-------------------------|-------------------|-------------------|-------------------|-------------------|-------------------|-------------------|
| UNPLATED MATERIAL NUMBER | UNPLATED ENG. NUMBER | UNPLATED MAT. NO. ON TAPE | UNPLATED ENG. NO. ON TAPE | PLATED MATERIAL NUMBER | PLATED ENGINEERING NUMBER | PLATED MAT. NO. ON TAPE | PLATED ENG. NO. ON TAPE | SEE DETAIL | STUD SIZE | WIRE RANGE | "S" ±.015/0.38 | "L" ±.050/1.27 | "W" ±.050/1.27 | "C" ±.050/1.27 | "B" ±.020/0.51 | "T" ±.020/0.51 |
| 192210408 | BCL-810 | --- | --- | 192210223 | BCL-810-PL | 190820011 | BCL-810-PLT | A | 10/4.8mm | 8 AWG/10mm ² | .214/5.45 | 1.187/30.15 | .438/11.13 | .376/9.55 | .185/4.70 | .070/1.78 |
| 192210409 | BCL-814 | 190820014 | BCL-814T | 192210224 | BCL-814-PL | 190820013 | BCL-814-PLT | A | 1/4"/M6 | 8 AWG/10mm ² | .278/7.06 | 1.187/30.15 | .438/11.13 | .376/9.55 | .185/4.70 | .070/1.78 |
| 192210562 | BCL-814-WP | --- | --- | 192210563 | BCL-814-WP-PL | --- | --- | --- | 1/4"/M6 | 8 AWG/10mm ² | .278/7.06 | 1.313/33.35 | .594/15.09 | .422/10.72 | .185/4.70 | .070/1.78 |
| 192210411 | BCL-8516 | --- | --- | 192210225 | BCL-8516-PL | --- | --- | A | 5/16"/M8 | 8 AWG/10mm ² | .340/8.63 | 1.187/30.15 | .438/11.13 | .376/9.55 | .185/4.70 | .070/1.78 |
| 192210482 | BCL-8516-WP | --- | --- | 192210483 | BCL-8516-WP-PL | 190820016 | BCL-8516-PLT | B | 5/16"/M8 | 8 AWG/10mm ² | .340/8.63 | 1.313/33.35 | .594/15.09 | .422/10.72 | .185/4.70 | .070/1.78 |
| 192210410 | BCL-838-WP | 190820015 | BCL-838-WPT | 192210226 | BCL-838-WP-PL | 192210566 | BCL-838-WP-PLT | B | 3/8"/M9 | 8 AWG/10mm ² | .400/10.16 | 1.313/33.35 | .594/15.09 | .422/10.72 | .185/4.70 | .070/1.78 |
| 192210481 | BCL-838-XWP | --- | --- | 192210484 | BCL-838-XWP-PL | --- | --- | --- | 3/8"/M9 | 8 AWG/10mm ² | .400/10.16 | 1.469/37.31 | .766/19.46 | .394/10.01 | .185/4.70 | .070/1.78 |
| 192210415 | BCL-812-XWP | --- | --- | 192210414 | BCL-812-XWP-PL | --- | --- | --- | 1/2"/M12 | 8 AWG/10mm ² | .520/13.21 | 1.469/37.31 | .766/19.46 | .394/10.01 | .185/4.70 | .070/1.78 |
| 192210425 | BCL-610 | --- | --- | 192210424 | BCL-610-PL | 190820003 | BCL-610-PLT | c | 10/4.8mm | 6 AWG/16mm ² | .214/5.45 | 1.281/32.54 | .438/11.13 | .381/9.68 | .232/5.89 | .075/1.90 |
| 192210406 | BCL-614-WP | --- | --- | 192210227 | BCL-614-WP-PL | 190820005 | BCL-614-PLT | B | 1/4"/M6 | 6 AWG/16mm ² | .278/7.06 | 1.406/35.72 | .594/15.09 | .427/10.85 | .232/5.89 | .080/2.03 |
| 192210494 | BCL-614 | --- | --- | 192210495 | BCL-614-PL | 192210498 | BCL-614I-PLT | c | 1/4"/M6 | 6 AWG/16mm ² | .278/7.06 | 1.281/32.54 | .438/11.13 | .381/9.68 | .232/5.89 | .075/1.90 |
| 192210407 | BCL-6516-WP | --- | --- | 192210228 | BCL-6516-WP-PL | 190820009 | BCL-6516-PLT | B | 5/16"/M8 | 6 AWG/16mm ² | .340/8.63 | 1.406/35.72 | .594/15.09 | .427/10.85 | .232/5.89 | .080/2.03 |
| 192210493 | BCL-6516 | 190820010 | BCL-6516T | 192210492 | BCL-6516-PL | --- | --- | c | 5/16"/M8 | 6 AWG/16mm ² | .340/8.63 | 1.281/32.54 | .438/11.13 | .381/9.68 | .232/5.89 | .075/1.90 |
| 192210384 | BCL-638-WP | --- | --- | 192210229 | BCL-638-WP-PL | 190820007 | BCL-638-PLT | B | 3/8"/M9 | 6 AWG/16mm ² | .400/10.16 | 1.406/35.72 | .594/15.09 | .427/10.85 | .232/5.89 | .080/2.03 |
| --- | --- | --- | --- | --- | --- | --- | --- | --- | 3/8"/M9 | 6 AWG/16mm ² | .400/10.16 | 1.563/39.70 | .766/19.46 | .472/11.99 | .232/5.89 | .080/2.03 |
| 192210417 | BCL-612-XWP | --- | --- | 192210416 | BCL-612-XWP-PL | (M)--- | --- | --- | 1/2"/M12 | 6 AWG/16mm ² | .520/13.21 | 1.563/39.70 | .766/19.46 | .472/11.99 | .232/5.89 | .080/2.03 |



- NOTES:
- FOR INSPECTION SIGHT HOLE, PLEASE CONSULT FACTORY.
 - OTHER STUD SIZES MAY BE AVAILABLE, PLEASE CONSULT FACTORY.
 - MATERIAL: COPPER
PLATING: TIN
 - MARKINGS CAN BE AT EITHER LOCATION SHOWN.
 - IF TONGUE IS TO BE BENT AT ANY ANGLE, IT MUST BE BENT AROUND A RADIUS ONE HALF THE TONGUE THICKNESS.
 - ALL PARTS ARE RoHS COMPLIANT.

THIS DRAWING CONTAINS INFORMATION THAT IS PROPRIETARY TO MOLEX ELECTRONIC TECHNOLOGIES, LLC AND SHOULD NOT BE USED WITHOUT WRITTEN PERMISSION

| | | | | | | | |
|--|------------------------|---|--------------|---------------------|----------------|---|------------------------|
| DIMENSION UNITS INCH/MM | SCALE NTS | CURRENT REV DESC: REMOVED INACTIVE PN, ADDED "DETAIL C" | molex | | | | |
| GENERAL TOLERANCES (UNLESS SPECIFIED) | | EC NO: 739834 | | | | EYELET STYLE COPPER TERMINALS 8 AND 6 AWG LUGS | |
| 4 PLACES ± | MM | DRWN: DEANMM1 | 2023/02/17 | | | | |
| 3 PLACES ± | INCH | CHK'D: JMACNEIL | 2023/02/23 | | | | |
| 2 PLACES ± | | APPR: JMACNEIL | 2023/02/23 | | | | |
| 1 PLACE ± | | INITIAL REVISION: | | | | | |
| 0 PLACES ± | | DRWN: DMYRICK | 2005/05/03 | | | | |
| ANGULAR TOL ± ° | | APPR: RDEROSS | 2005/05/03 | | | | |
| DRAFT WHERE APPLICABLE MUST REMAIN WITHIN DIMENSIONS | THIRD ANGLE PROJECTION | DRAWING | SERIES | DOCUMENT NUMBER | DOC TYPE | DOC PART | REVISION |
| | | C-SIZE | 19221 | SD-19221-001 | PSD | 001 | M |
| | | | | SEE TABLE | GENERAL MARKET | | SHEET NUMBER 1 OF 1 |