

Nook Style Table Box and HDMI Retractable Cable

specifications

Panduit table boxes provide a way to have connectivity and power at a conference room table or podium. The table boxes should be able to open and close. Each nook table box is supplied with 2 front faceplates in both Mini-Com and NetKey footprints. The Mini-Com faceplate is compatible with any Panduit Mini-Com module. The NetKey faceplate is compatible with any Panduit NetKey module or any standard keystone module. Each table box comes prepopulated with an UL/cUL listed power receptacle with 12 AMP AC capacity with 2 type A USB 2.0 5 VDC 3 AMP and 9.5 ft power cord. Mounting brackets, screws, wiring nuts, faceplates, faceplate screws and brackets and an Allen key are included with each nook table box. The nook table box has an access door that opens to 90-degrees and slides into the unit. Access door should have a curved opening that allows cables to be passed through while door is closed. Optional HDMI retractor cable allows a clean appearance and HDMI flat cable to "retract" back into table. HDMI retractor unit shall include required mounting bracket and cord pass through faceplate.



PND100



PND400

technical information

| | |
|------------------------------------|--|
| Material: | Aluminum |
| Power Receptacle: | UL-cUL listed power module with 12 AMP AC capacity and 2 type A USB 2.0 5 VDC 3 AMP, with 9.5ft power cord |
| Dimensions: | 4.7 in (height), 6.2 in (width), 5.4 in (depth) |
| Color: | Black (BL) |
| Minimum Table Thickness: | 0.5 in (13 mm) |
| Maximum Table Thickness: | 3.5 in (89 mm) |
| Operating temperature: | 10 – 50 degrees C |
| HDMI Video Specifications: | 1080p and 30fps |
| HDMI Retractable Length: | 4 feet |
| Module Spaces in faceplate: | up to 8 modules |

key features and benefits

| | |
|-----------------------------|--|
| Removable Faceplates | Each table box is supplied with 2 a Mini-Com and 2 NetKey (keystone) removable faceplates. Once installed, a faceplate can be removed and remounted for future moves, adds and changes. |
| Designer profile | Table box mounts flush with surface allowing an aesthetically pleasing appearance and box can be easily closed when not in use for a clean look. Retractable HDMI cable allows storage of cable when not in use. |
| Power and Data | Each box comes pre-populated with a power receptacle and has room for multiple connector styles in the removable front faceplates. |

applications

Panduit nook table boxes are ideal for conference room tables, podiums, and work table surfaces. They are a component of Panduit's end to end copper cabling and audio video system. This end-to-end system is interoperable and backwards compatible, providing design flexibility to protect A/V and network systems well into the future.

Table Boxes

| | |
|---|--------|
| Nook Style: | PND100 |
| Tilt Up Style: | PND110 |
| Retractable HDMI cable for Nook Style: | PND400 |

Mini-Com® Modules

| | |
|---|-------------|
| Blank Module: | CMBBL-X |
| Cat 6 Jack: | CJ688TGBL |
| Cat 6A Jack: | CJ6X88TGBL |
| Angled Wire Caps: | CJLRCAPBU-C |
| 2-Position HDMI Module: | CMHDMIBL |
| 2-Position HDMI Module with Pigtail: | CMHDMITBL |
| USB Module: | CMUSBAABL |
| 3.5 Stereo Coupler: | CM35MSCBLY |

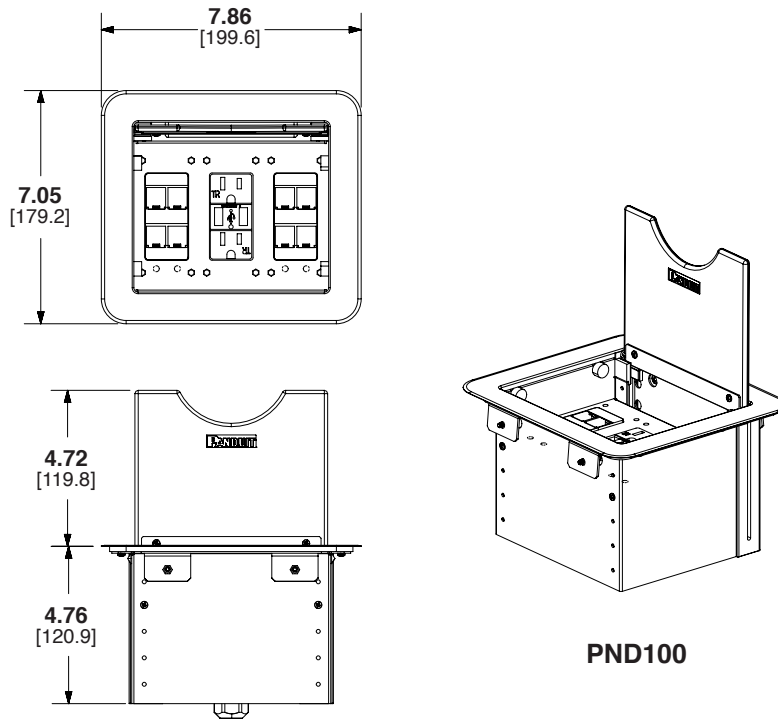
NetKey® Modules

| | |
|----------------------------|-----------|
| Blank Module: | NKBMBL-X |
| Cat 6 Jack: | NK688MBL |
| Cat 6A Jack: | NK6X88MBL |
| HDMI Module: | NKHDMIBL |
| USB Module: | NKUSBAABL |
| 3.5 Stereo Coupler: | NK35MSCBL |

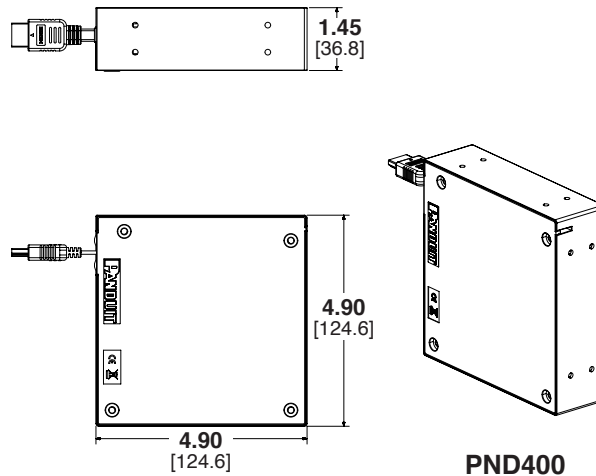
^For additional colors and module types, please see Panduit.com

Nook Style Table Box and HDMI Retractable Cable

Nook Table Box



HDMI Retractor Cable



Dimensions are in inches (Dimensions in parenthesis are metric)

WORLDWIDE SUBSIDIARIES AND SALES OFFICES

PANDUIT US/CANADA
Phone: 800.777.3300

PANDUIT EUROPE LTD.
London, UK
cs-emea@panduit.com
Phone: 44.20.8601.7200

PANDUIT SINGAPORE PTE. LTD.
Republic of Singapore
cs-ap@panduit.com
Phone: 65.6305.7575

PANDUIT JAPAN
Tokyo, Japan
cs-japan@panduit.com
Phone: 81.3.6863.6000

PANDUIT LATIN AMERICA
Guadalajara, Mexico
cs-la@panduit.com
Phone: 52.33.3777.6000

PANDUIT AUSTRALIA PTY. LTD.
Victoria, Australia
cs-aus@panduit.com
Phone: 61.3.9794.9020

For a copy of Panduit product warranties, log on to www.panduit.com/warranty

For more information

Visit us at www.panduit.com

Contact Customer Service by email: cs@panduit.com
or by phone: 800.777.3300

PANDUIT[®]

©2018 Panduit Corp.
ALL RIGHTS RESERVED.
OTSP56--SA-ENG
6/2018