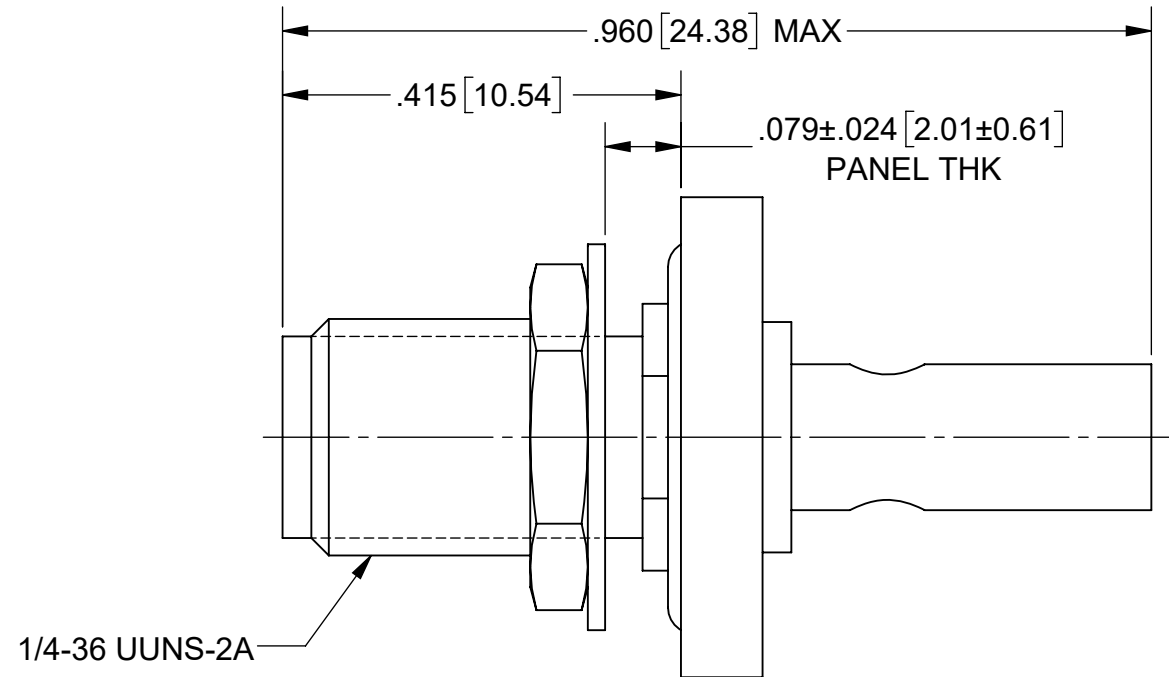
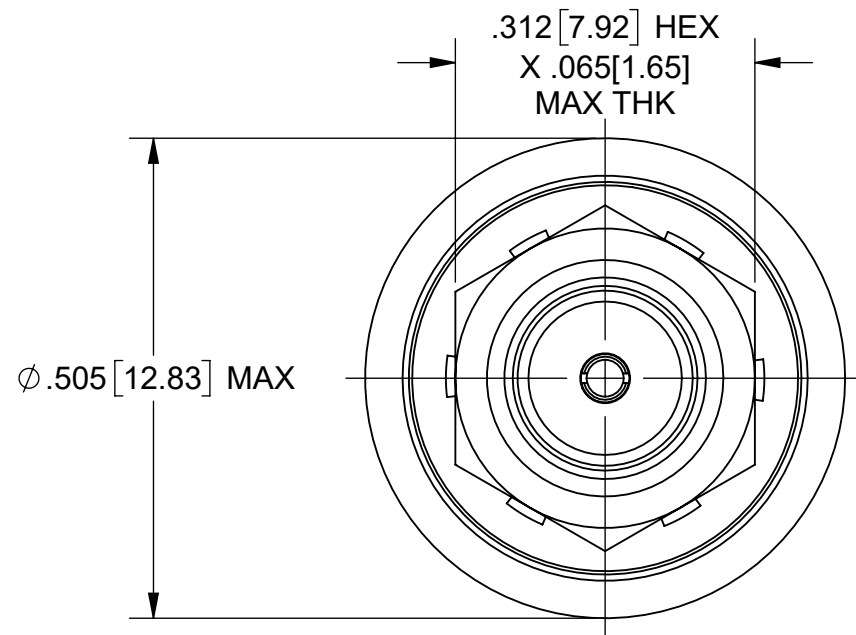
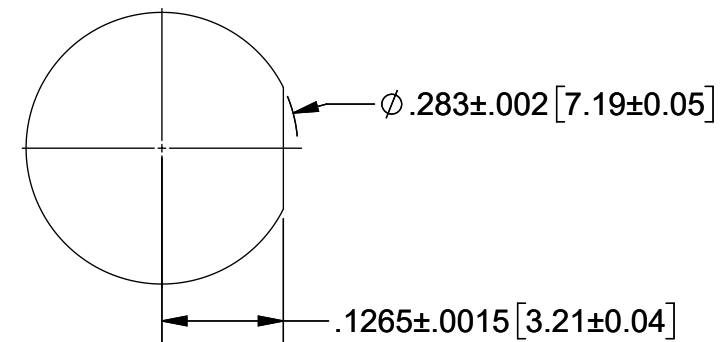


# PRODUCT DATA DRAWING

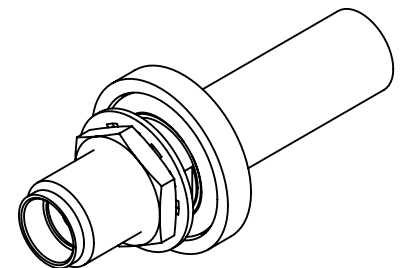
REVISION HISTORY			
REV	DESCRIPTION	DATE	APPROVED
A	REV. DCN 49513	12/19/19	STW
B	REV. DCN 51974	09/19/22	STW


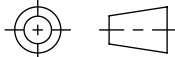


- MATERIAL:**
- BODY & HEX NUT:** STAINLESS STEEL PER AMS 5640, ALLOY UNS S30300, TYPE 1 OR ASTM A582, TYPE 303, CONDITION A
- CONTACT:** BERYLLIUM COPPER PER ASTM B196, ALLOY No. UNS C17300, TD04.
- INSULATOR:** PTFE PER ASTM D1710, TYPE I, GRADE 1, CLASS B.
- O-RING:** SILICONE RUBBER PER A-A-59588, CLASS 2B, GRADE 60/70.
- LOCKWASHER:** 300 SERIES STAINLESS STEEL.
- SOLDER RING:** BRASS PER ASTM B16, ALLOY UNS C36000.
- SHRINK TUBING (NOT SHOWN):** PER M23053/4-102.
- FINISH:**
- HEX NUT & L'WASHER:** PASSIVATED PER AMS 2700.
- BODY, SOLDER SLEEVE:** GOLD PER MIL-DTL-45204, TYPE II, GRADE C, CLASS 1 OVER NICKEL PER AMS-QQ-N-290, CLASS 1, .000050" MIN.
- CONTACT:** GOLD PER ASTM B488, TYPE II, CODE C, CLASS 1.27 OVER NICKEL PER AMS-QQ-N-290, CLASS 1, .000050" MIN.
- PERFORMANCE:**
- IMPEDANCE:** 50 OHMS
- FREQ. RANGE:** DC TO 12.4 GHz OR APPROXIMATELY 80 % OF CABLE CUT-OFF FREQUENCY



RECOMMENDED MOUNTING HOLE



MATERIAL: SEE NOTES	DIMENSIONS ARE IN INCHES TOLERANCES: FRACTIONAL: ±1/64 ANGULAR: X° ±1'0" X'X' ±15'	UNLESS OTHERWISE SPECIFIED 1) ALL DIMENSIONS ARE IN INCHES (MILLIMETERS) 2) ALL DIMENSIONS ARE AFTER PLATING. 3) BREAK CORNERS & EDGES .005 R. MAX. 4) CHAM. 1ST & LAST THREADS. 5) SURFACE ROUGHNESS 63-MIL-STD-10. 6) DIA.'S ON COMMON CENTERS TO BE CONCENTRIC WITHIN .005 T.I.R. 7) REMOVE ALL BURRS	 www.svmicrowave.com
FINISH: SEE NOTES	DECIMAL: X ±.030 .XX ±.010 .XXX ±.005	INTERPRET DIMENSIONS AND TOLERANCES PER ASME Y14.5M - 1994	
SURFACE AREA: N/A	THIRD ANGLE PROJECTION	DRAWN: CT 12/12/85	TITLE: SMA JACK SOLDER BULKHEAD MOUNT FOR RG-316 CABLE
<p><b>PROPRIETARY</b></p> <p>THE INFORMATION CONTAINED IN THIS DRAWING IS THE SOLE PROPERTY OF SV MICROWAVE, INC. ANY REPRODUCTION IN PART OR AS A WHOLE WITHOUT THE WRITTEN PERMISSION OF SV MICROWAVE, INC IS PROHIBITED.</p>		CHECKED: JMC 12/19/19	SIZE DWG. NO. B M39012/59-3007
		APPROVED: ND 02/27/86	SCALE: 5:1 SHEET 1 OF 1