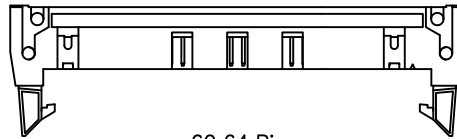
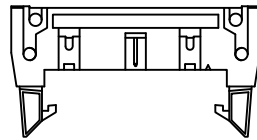


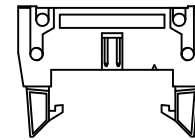
- * Insulation: Glass filled polyester
UL 94V-0
- * Contact: Brass
- * For Tin-Lead Wave Flow Process



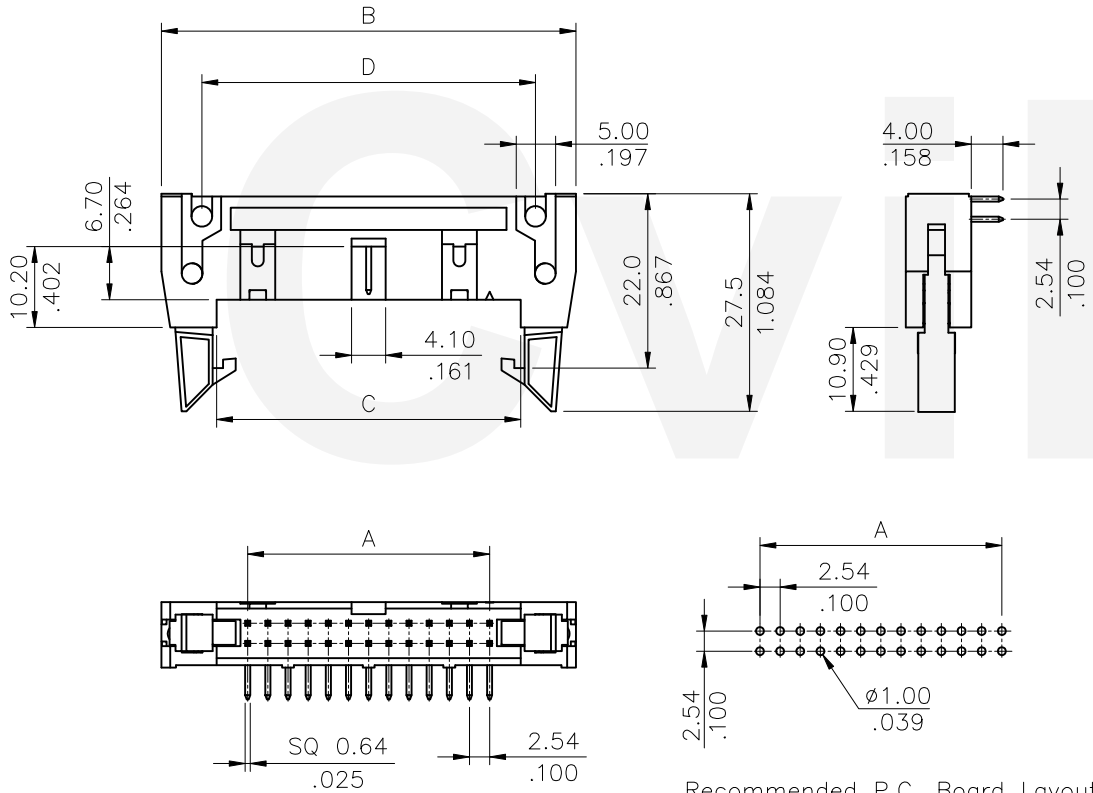
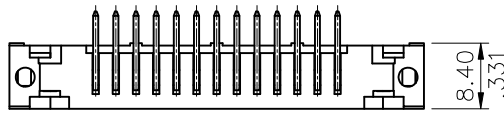
60.64.Pin



20~50.Pin



10.14.16.Pin



Recommended P.C. Board Layout

Ordering Code

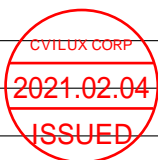
CH88 ** * B 1 00-B
① ② ③ ④ ⑤ ⑥

- ① Series No.
- ② No. of Contacts
- ③ Plating option :
 - 1= 3.05 μ m(120 μ "") Min. Tin over 0.76 μ m(30 μ "") Nickel
 - 2= Gold Flash plated over 1.27 μ m(50 μ "") Nickel
 - 3= 0.38 μ m(15 μ "") Gold plated over 1.27 μ m(50 μ "") Nickel
 - 4= 0.76 μ m(30 μ "") Gold plated over 1.27 μ m(50 μ "") Nickel
- ④ B= With long latch/Right angle
- ⑤ Color : 1= Black
- ⑥ Option :
00-B= Standard

Circuits	Dimension			
	A	B	C	D
10	10.16 (.400)	31.87 (1.255)	17.90 (.705)	21.70 (.854)
14	15.24 (.600)	36.95 (1.455)	22.95 (.904)	26.88 (1.058)
16	17.78 (.700)	39.48 (1.554)	25.50 (1.004)	29.27 (1.152)
20	22.86 (.900)	44.62 (1.757)	30.58 (1.204)	34.50 (1.358)
24	27.94 (1.100)	49.67 (1.956)	35.70 (1.406)	39.50 (1.555)
26	30.48 (1.200)	52.23 (2.056)	38.25 (1.506)	42.05 (1.656)
30	35.56 (1.400)	57.30 (2.256)	43.35 (1.707)	47.20 (1.858)
34	40.64 (1.600)	62.38 (2.456)	48.40 (1.906)	52.15 (2.053)
40	48.26 (1.900)	69.95 (2.754)	56.05 (2.207)	59.90 (2.358)
50	60.96 (2.400)	82.70 (3.256)	68.70 (2.705)	72.55 (2.856)
60	73.66 (2.900)	95.45 (3.758)	81.50 (3.209)	85.25 (3.356)
64	78.74 (3.100)	100.60 (3.961)	86.40 (3.402)	90.35 (3.557)

Tin-Lead Process

RoHS Compliant



④					DATE	UNIT: mm / inch	TITLE: 2.54MM RIGHT ANGLE DUAL ROW SHROUDED HEADER	瀚荃股份有限公司 CviLux Corporation
③				DRAWN BY: Sandy	11/12-20'	TOLERANCE UNLESS OTHERWISE SPECIFIED	MATERIAL:	
②				ENGINEER: Sun	11/13-20'	.X ± 0.30/.012 X' ± r	FINISH:	
①				CHECKED BY: Eisley	11/18-20'	.XX ± 0.20/.008 X' ±		
SYM	NAME	DATE	REVISIONS	APPROVED BY: Eisley	11/18-20'	.XXX ± 0.10/.004 XX' ±		DRAWING NO. CH8855SA PART NO. CH88***B100-B SCALE 1 / 1 SHEET 1 OF 1