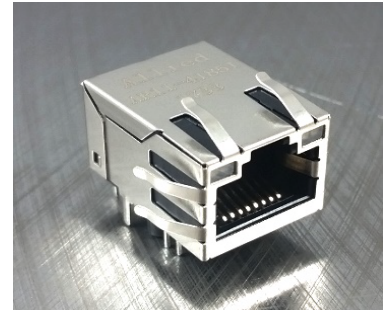




**SINGLE PORT RJ45 CONNECTOR**

**AR11-4185I**

- 10/100/1000 Base-T for Ethernet applications
- Designed to meet IEEE802.3ab standard
- Transmit open circuit inductance (OCL): 350µH (MIN) @100KHz, 0.1VRMS with 8mA DC Bias
- RJ45 jack cavity conforms to FCC rules and regulations Part 68, SUB Part F
- Industrial Operating Temp: -40°C to +85°C



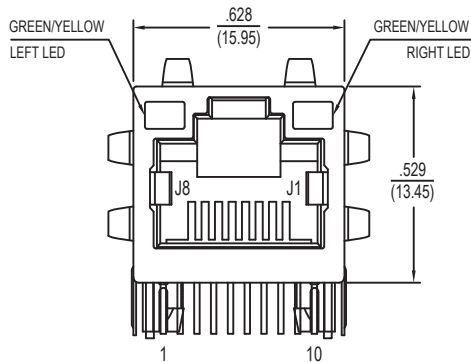
**Electrical Specifications @ 25°C**

OCL(µH Min) @ 100KHz, 0.1V With 8mA DC Bias	Turns Ratio (±3%)	Return Loss (dB Min) @ 100Ω				Insertion Loss (dB Max)	Cross Talk (dB Min)	CMR (dB Min)	HI-POT (Vrms Min)
		1-30MHz	30-60MHz	60-80MHz	80-100MHz				
350	1CT:1CT	-18	-14	-12	-10	-1.0	-30	-30	1500

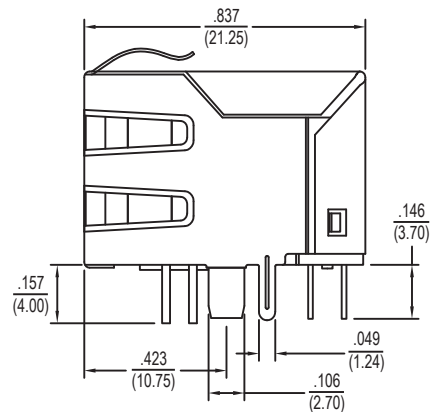
All specifications subject to change without notice.

**MECHANICAL**

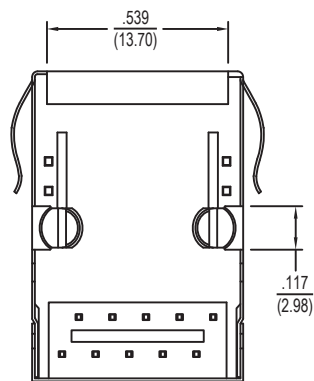
DIMENSIONS:  $\frac{\text{inch}}{\text{mm}}$



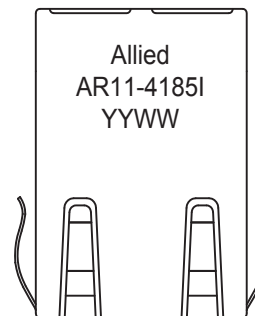
**FRONT VIEW**



**SIDE VIEW**



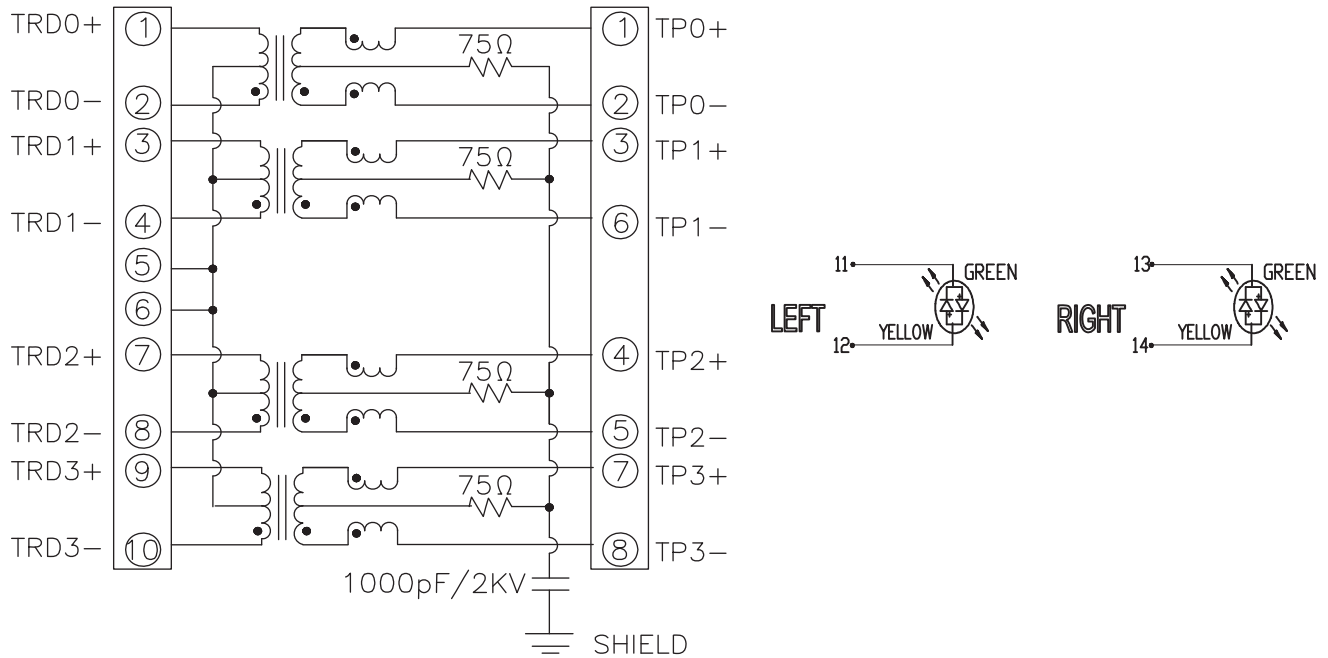
**BOTTOM VIEW**



**TOP VIEW**

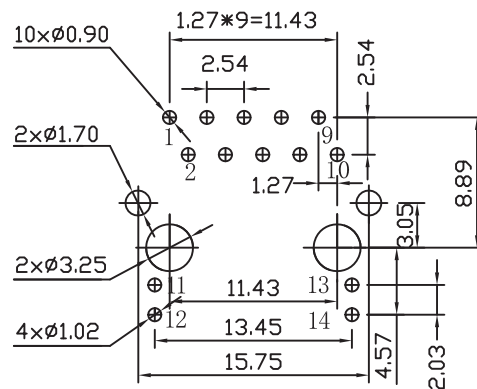


SCHEMATICS



PCB LAYOUT

DIMENSIONS: mm



NOTES

- CONNECTOR MATERIALS:  
 HOUSING MATERIAL: THERMOPLASTIC PBD +30%G.F. UL 94V-0  
 CONTACT MATERIAL: PHOSPHOR BRONZE C5210R-EH THICKNESS=0.35mm  
 PINS: BRASS C2680R-H THICKNESS=0.35mm  
 SHIELD: SUS 201-1/2H THICKNESS=0.2mm  
 CONTACT PLATING: GOLD 30μ" MIN IN CONTACT AREA
- WAVE SOLDER TIP TEMPERATURE: 265°C MAX, 5 SEC MAX