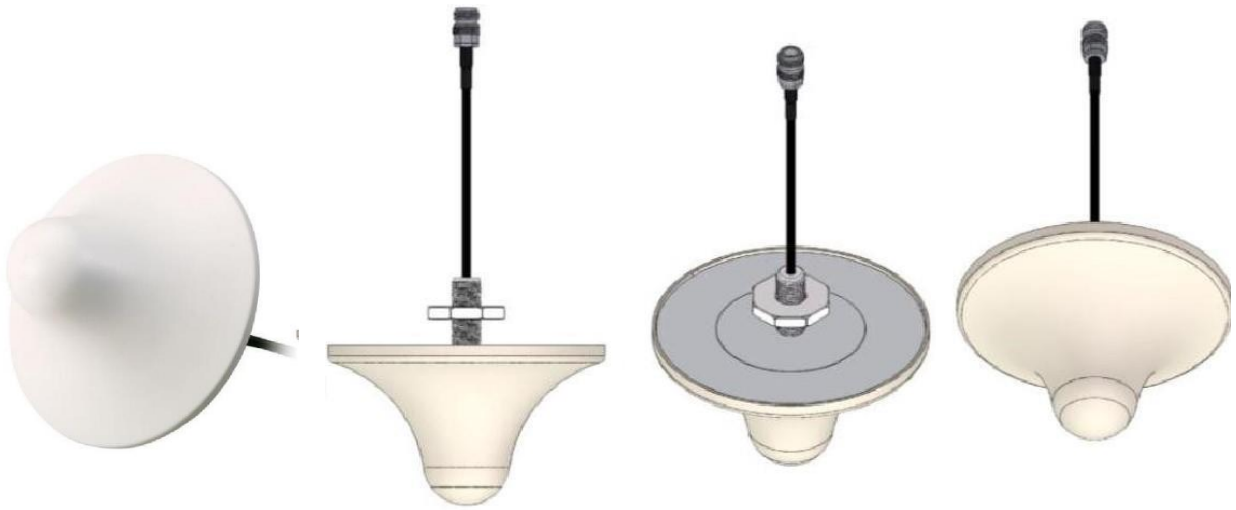
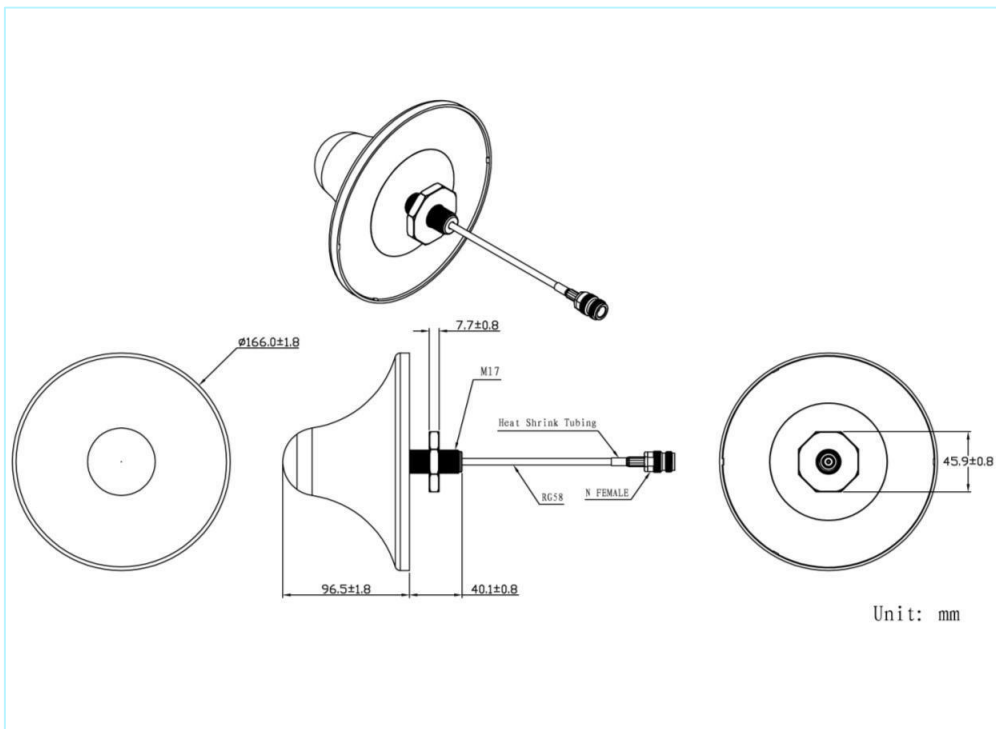


Ceiling antenna for 4G LTE, 3G and Wifi coverage

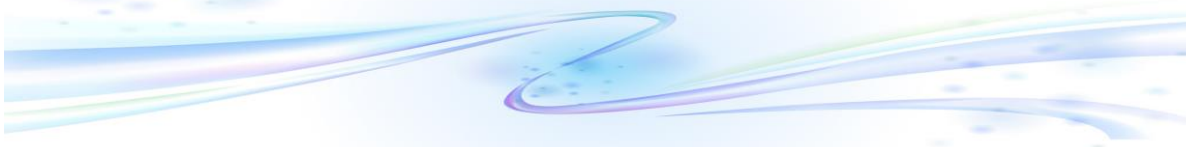
AN_GSM_915



Mechanical dimension



Ceiling antenna for 4G LTE, 3G and Wifi coverage



Specifications

Item	Specifications	
Antenna	Frequency Range	824~2500MHz
	Polarization	Linear
	Gain	3dBi
	V.S.W.R	<2.0
	Impedance	50Ω
Mechanical	Cable	5 meters
	Connector	SMA
	Mounting Method	Screw
	Radome Material	ABS
Environmental	Operating Temperature	-40℃~+85℃
	Relative Humidity	Up to 95%
	Environmentally Friendly	ROHS Compliant

Ceiling antenna for 4G LTE, 3G and Wifi coverage

Radiation Patterns

