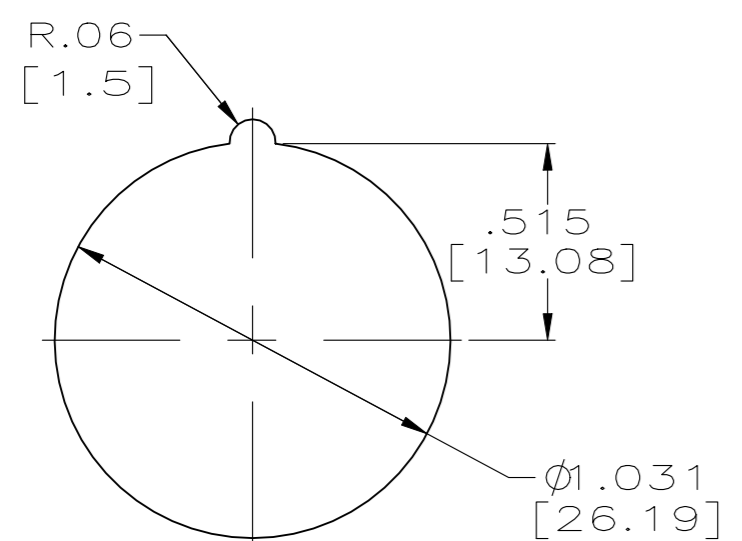
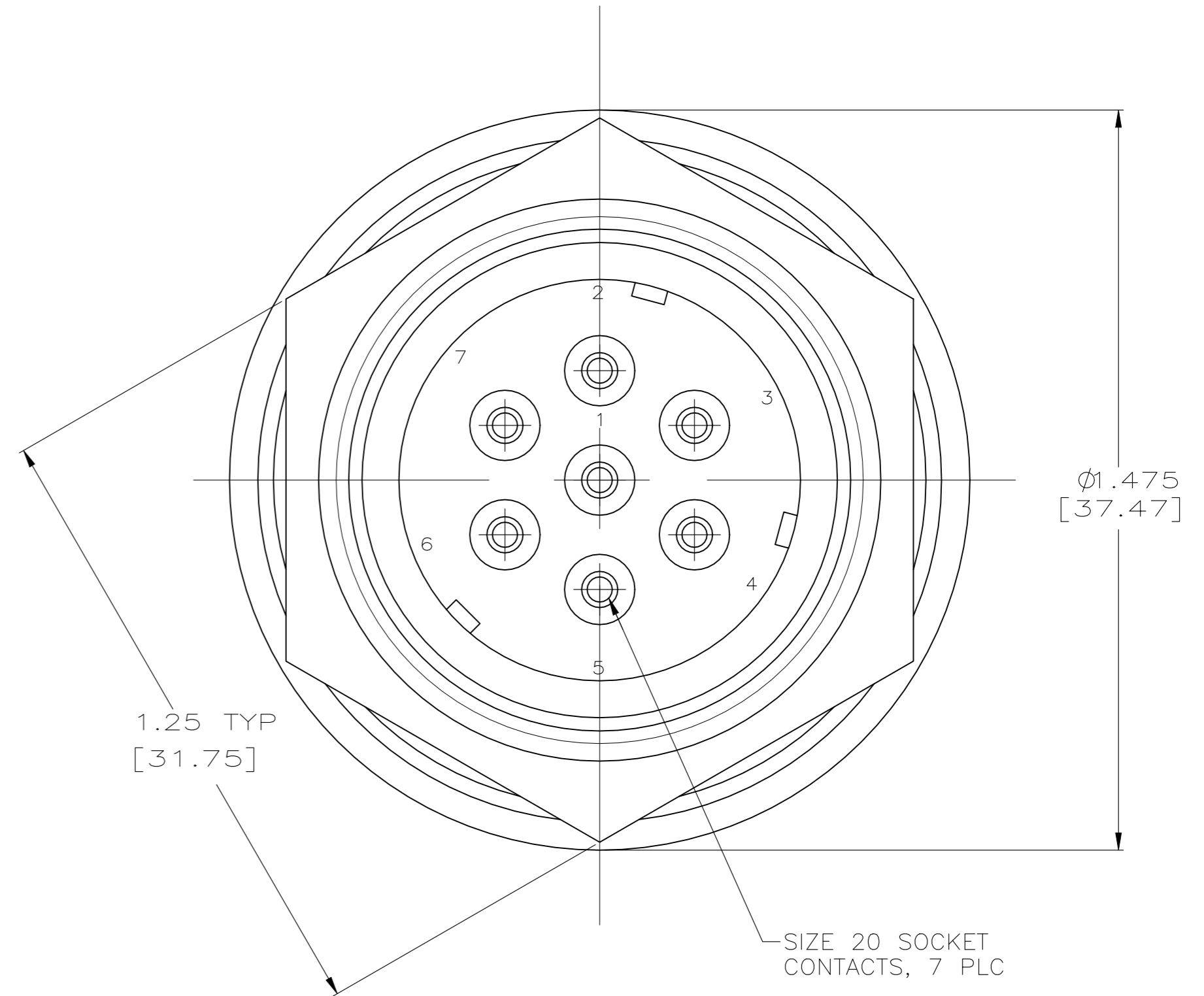
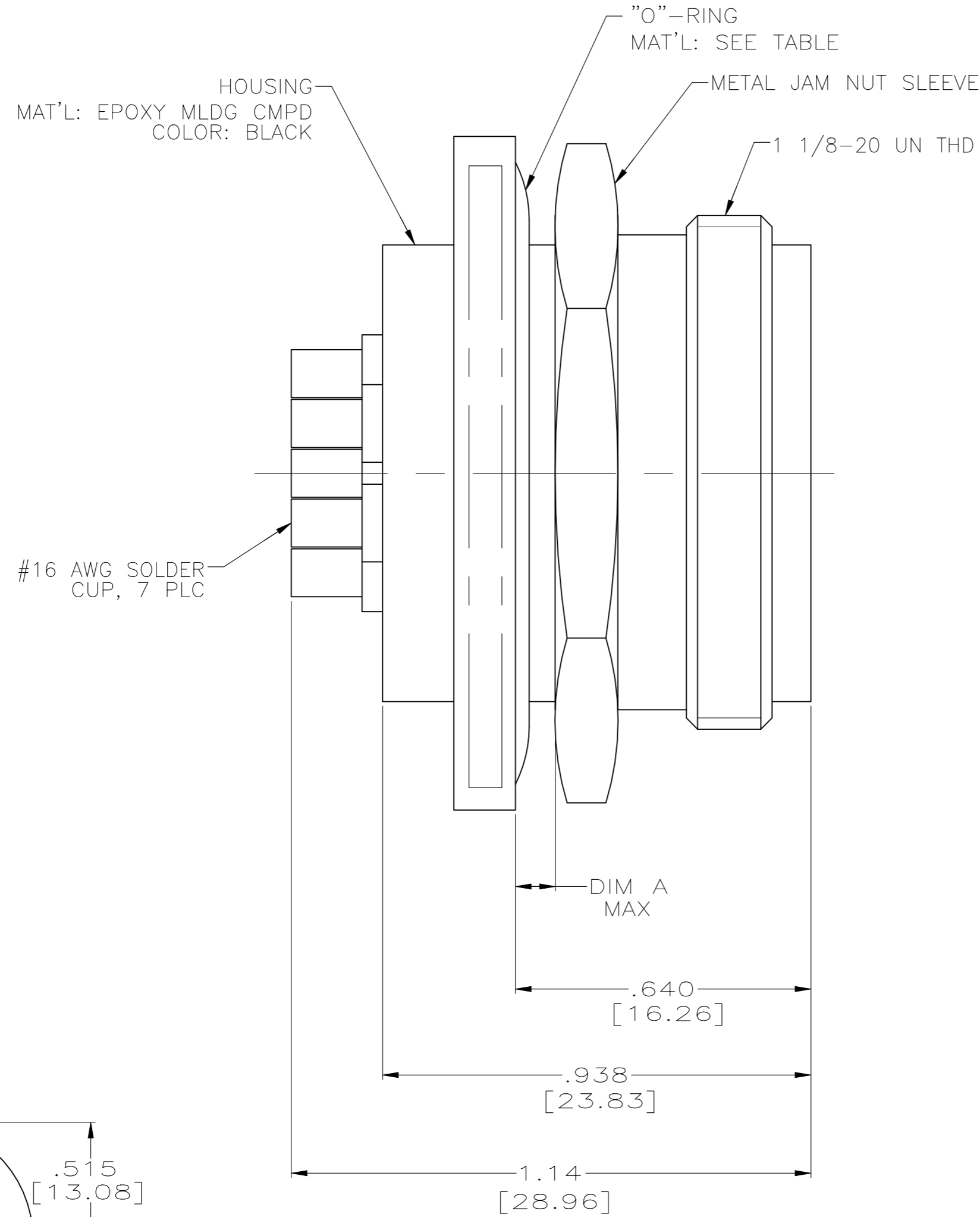


REVISIONS					
P	LTR	DESCRIPTION	DATE	DWN	APVD
H		REV PER ECO 21-004890	5-3-21	CT	DM



FLUORO RUBBER	.125 [3.18]	862004-4
SILICONE	.060 [1.52]	862004-3
SILICONE	.125 [3.18]	862004-1
O-RING MATERIAL	DIM A MAX	PART NUMBER
	PANEL THICKNESS	

1. THIS RECEPTACLE IS NOT HERMETICALLY SEALED.
2. MARKED PER MIL-STD-130.

THIS DRAWING IS A CONTROLLED DOCUMENT.		DWN	C.C.THOMAS	7-19-96	 TE Connectivity																		
DIMENSIONS: INCHES [mm]		CHK	S.GLATFELTER	8-13-96																			
TOLERANCES UNLESS OTHERWISE SPECIFIED:		APVD	S.GLATFELTER	8-13-96																			
<table border="1"> <tr><td>0 PLC</td><td>±</td><td>-</td></tr> <tr><td>1 PLC</td><td>±</td><td>-</td></tr> <tr><td>2 PLC</td><td>±</td><td>.01 [0.3]</td></tr> <tr><td>3 PLC</td><td>±</td><td>.010 [0.25]</td></tr> <tr><td>4 PLC</td><td>±</td><td>-</td></tr> <tr><td>ANGLES</td><td>±</td><td>-</td></tr> </table>		0 PLC	±	-	1 PLC	±	-	2 PLC	±	.01 [0.3]	3 PLC	±	.010 [0.25]	4 PLC	±	-	ANGLES	±	-	PRODUCT SPEC		NAME	
0 PLC	±	-																					
1 PLC	±	-																					
2 PLC	±	.01 [0.3]																					
3 PLC	±	.010 [0.25]																					
4 PLC	±	-																					
ANGLES	±	-																					
MATERIAL SEE CALLOUTS		FINISH SEE CALLOUTS		APPLICATION SPEC																			
		WEIGHT	0.000000	SIZE	A2																		
		CUSTOMER DRAWING		CAGE CODE	00779																		
				DRAWING NO	C=862004																		
				RESTRICTED TO	-																		
				SCALE	4:1																		
				SHEET	1 OF 1																		
				REV	H																		

862004-2004