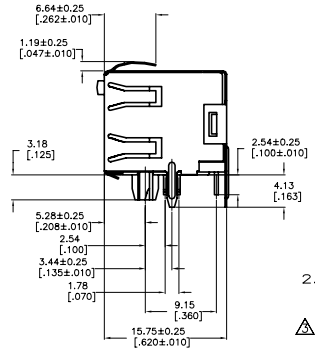
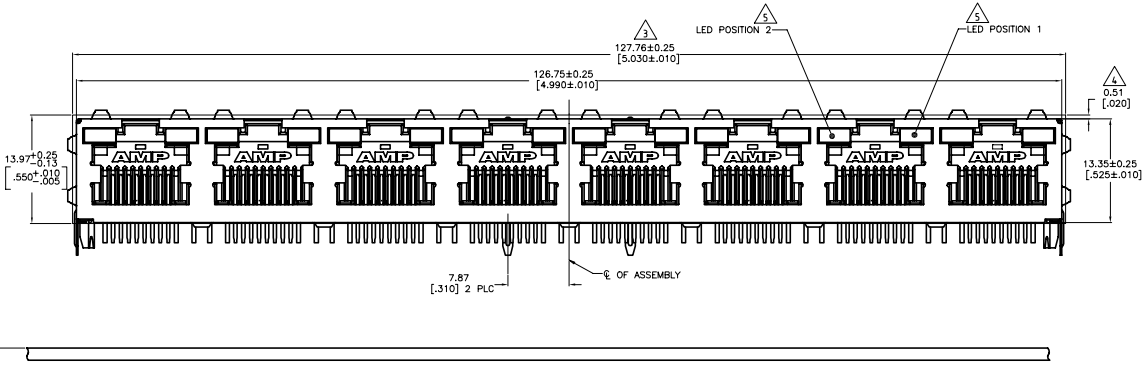
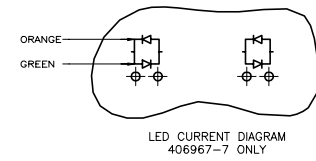
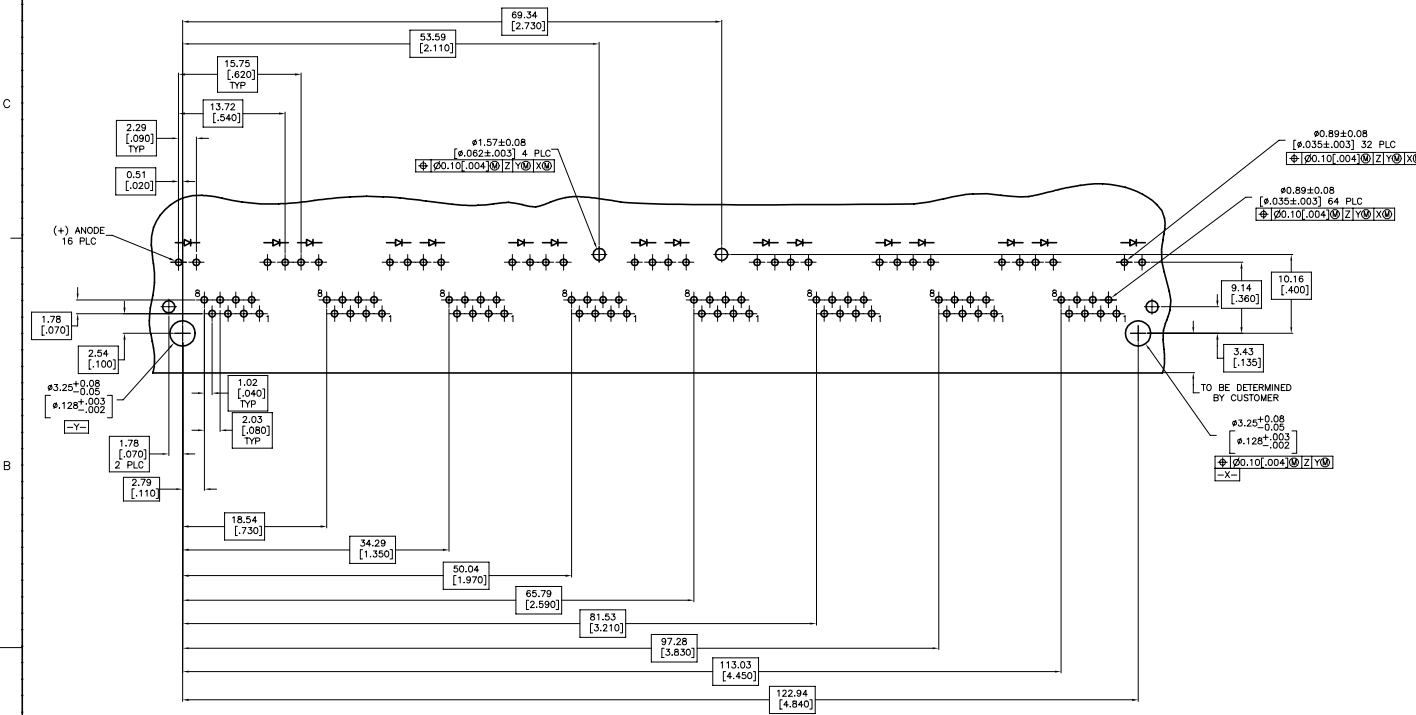


REVISIONS				
REV	DATE	BY	APP'D	DESCRIPTION
E2	29AUG2020	RR	SH	ECO-18-014918



- MATERIAL:
HOUSING — HIGH TEMPERATURE THERMOPLASTIC, COLOR: BLACK, UL94V-0
TERMINALS — 0.36[.014] THICK PHOS BRONZE PLATED WITH 3.81µm[.000150] MIN THICK BRIGHT TIN LEAD IN SOLDER AREA, 1.27µm[.000050] MIN GOLD IN LOCALIZED PLATE AREA. ENTIRE TERMINAL PLATED WITH 1.27µm[.000050] MIN THICK NICKEL.
SHIELD — 0.196[.0077] THICK COPPER ZINC ALLOY PREPLATED WITH 1.27µm[.000050] MIN SATIN NICKEL WITH 2.03µm[.000080] MIN TIN POST DIPPED ON PCB GROUND TABS
LIGHT EMITTING DIODE (LED) — DIFFUSED EPOXY LENS, 0.51 X 0.51[.020 X .020] CARBON STEEL WIREFRAME LEADS PLATED WITH 8.89µm[.000350] TIN/COPPER OVER 2.03µm[.000080] SILVER OVER 1.02µm[.000040] NICKEL UNDERPLATE OVER 2.03µm[.000080] COPPER UNDERPLATE
- JACK CAVITY CONFORMS TO FCC RULES AND REGULATIONS PART 68, SUBPART F.
- SUGGESTED PANEL OPENING DIMENSIONS.
- SUGGESTED CLEARANCE BETWEEN TOP OF CONNECTOR AND TOP PANEL OPENING.
- SEE TABLE FOR COLOR OF LEDS AND NUMBER REQUIRED.
- THIS MODULAR JACK WITH INTEGRATED LED IS NOT IR REFLOW SOLDERING PROCESS COMPATIBLE.
- OBsolete PARTS: OBSOLETE CIS STREAMLINING PER D.RENAUD/D.SINISI



SUPERCEDED	INDICATOR COLOR FOR EACH HOUSING		PART NUMBER
	POSITION 2	POSITION 1	
OBsolete	ORANGE/GREEN	ORANGE/GREEN	-406967-7
OBsolete	YELLOW	YELLOW	-406967-6
OBsolete	GREEN	GREEN	-406967-5
OBsolete	GREEN	YELLOW	-406967-4
OBsolete	YELLOW	-	-406967-3
OBsolete	-	GREEN	-406967-2
OBsolete	YELLOW	GREEN	-406967-1

THIS DRAWING IS A CONTROLLED DOCUMENT. DATE: 22SEP97
 DIMENSIONS: mm (INCHES) DRAWN BY: WOOTEN
 CHECKED BY: SPRINKLE
 APPROVED BY: M. DESTINE
 PRODUCT SPEC: 108-1163-4
 APPLICATION SPEC: 114-2154
 MATERIAL: SEE NOTE 1
 FINISH: SEE NOTE 1
 WEIGHT: 0.000000
 SCALE: 3:1
 SHEET: 1 of 1
 REV: F2
 CUSTOMER DRAWING