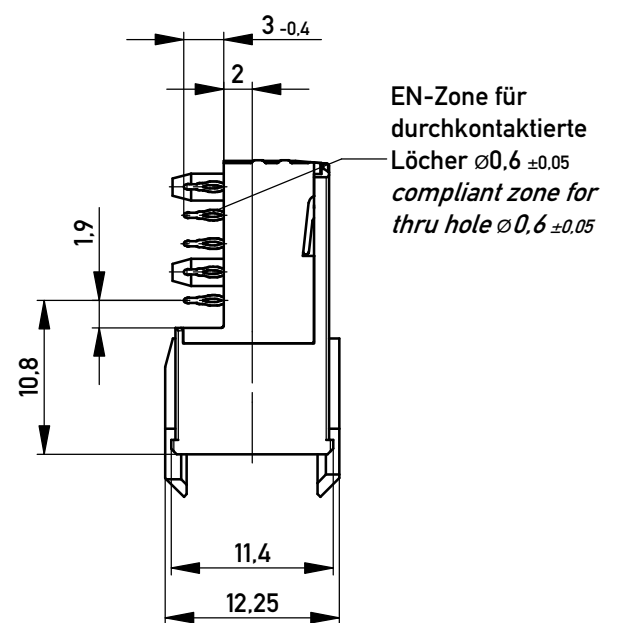
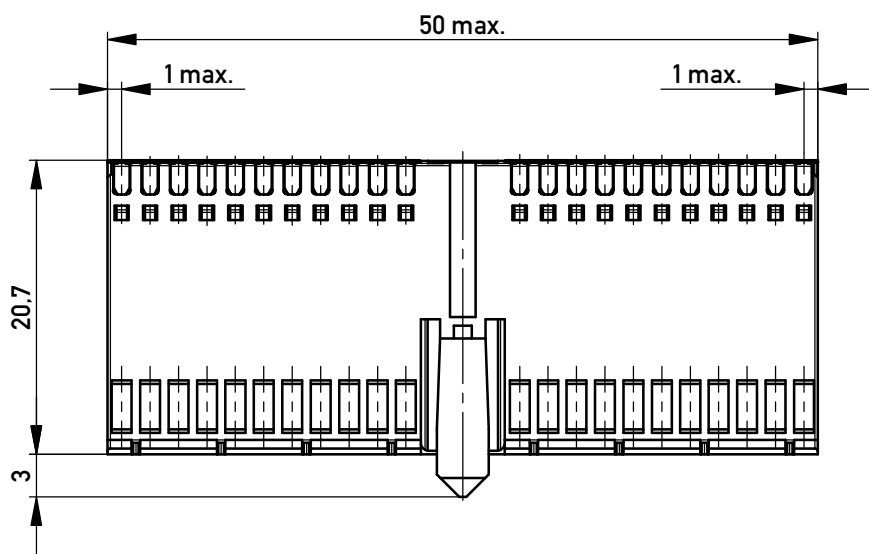
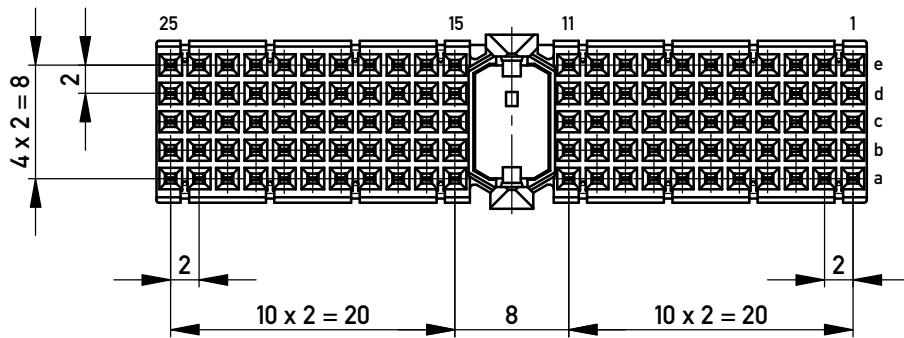
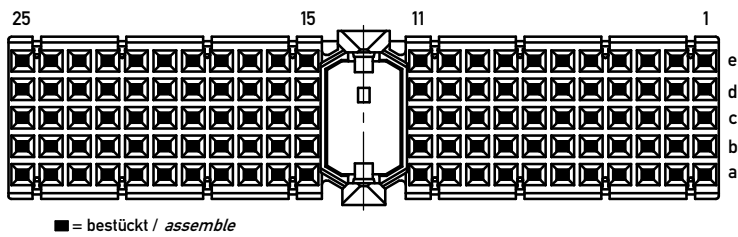
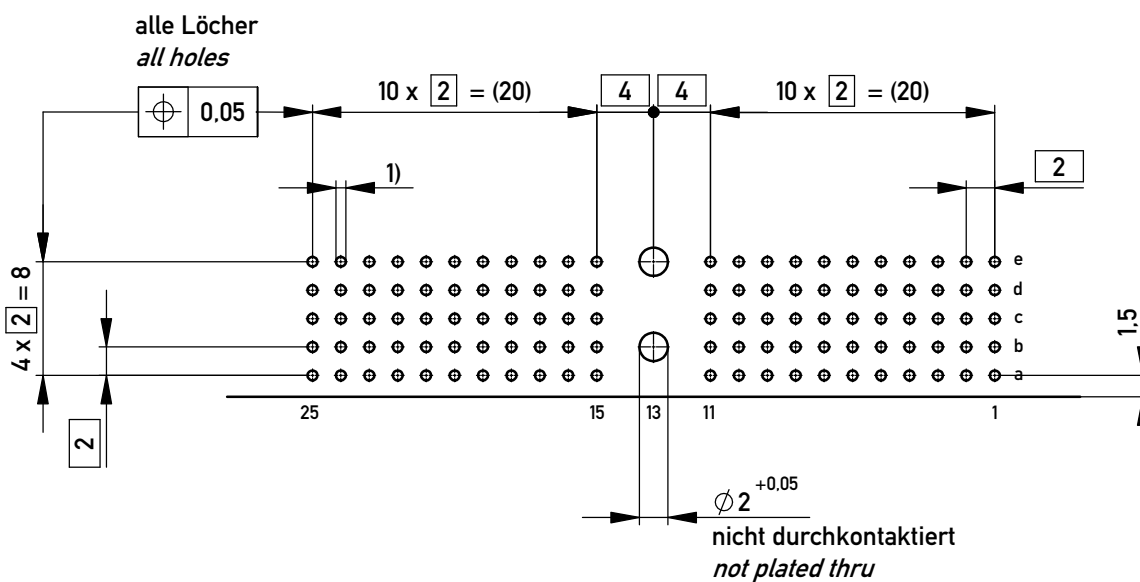


Bestückungsplan - contact layout



Lochbild für Leiterplatte Board hole pattern (Bestückungsseite) (Component mounting side)



1)  $\varnothing 0.6 \pm 0.05$  Durchmesser des metallisierten Loches  
 $\varnothing 0.6 \pm 0.05$  Diameter of finished plated-through hole

Schichtaufbau im metallisierten Loch  
 siehe Zeichnung 164062 Nr.1

Metal plating of plated through hole  
 see drawing 164062 No.1

Fehlende Maße und Angaben nach IEC 61076-4-101  
 Missing information and dimensions per IEC 61076-4-101

Information: <b>Anforderungsstufe 2 / class2</b> <b>BA2</b>  All rights reserved. Only for Information. To ensure that this is the latest version of this drawing, please contact one of the ERNI companies before using.	Tolerances	 All Dimensions in mm	Scale	2:1
	Subject to modification without prior notice. Drawing will not be updated.		Designation	<b>ERmet Federleiste A</b> <b>ERmet Female Type A</b>
c Index	15.02.2016 Date	 www.ERNI.com	Class	ERMA
			Designation	<b>364297</b>
			Class	ERMA
			Index	A3

Copyright by ERNI Production GmbH & Co. KG  
 Proprietary notice pursuant to ISO 16016 to be observed.