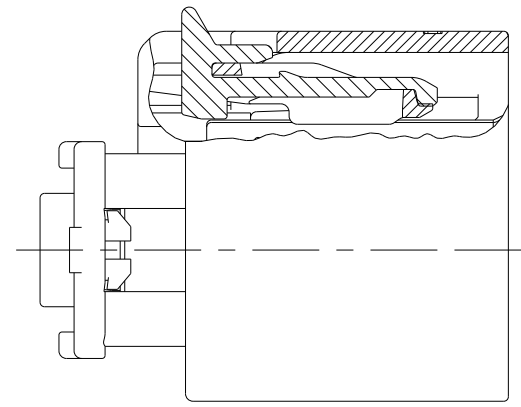
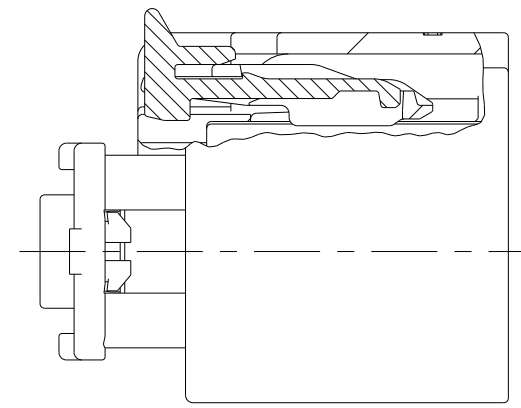


REVISIONS					
P	LTR	DESCRIPTION	DATE	DWN	APVD
B12		REVISED PER ECO-18-000662	16JAN2018	JMS	CS
B13		REVISED PER ECN-21-130901	07JAN2022	SMR	CS
B14		REVISED PER ECN-22-135983	31JAN2022	JMS	CS
B15		REV PER ECN-23-209877	11MAY2023	JMS	CJS

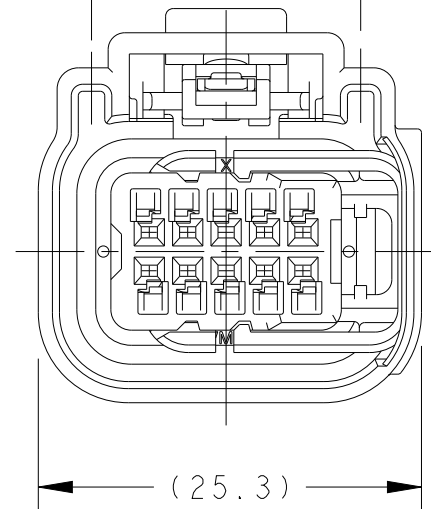


CPA CLOSED POSITION <sup>3</sup>

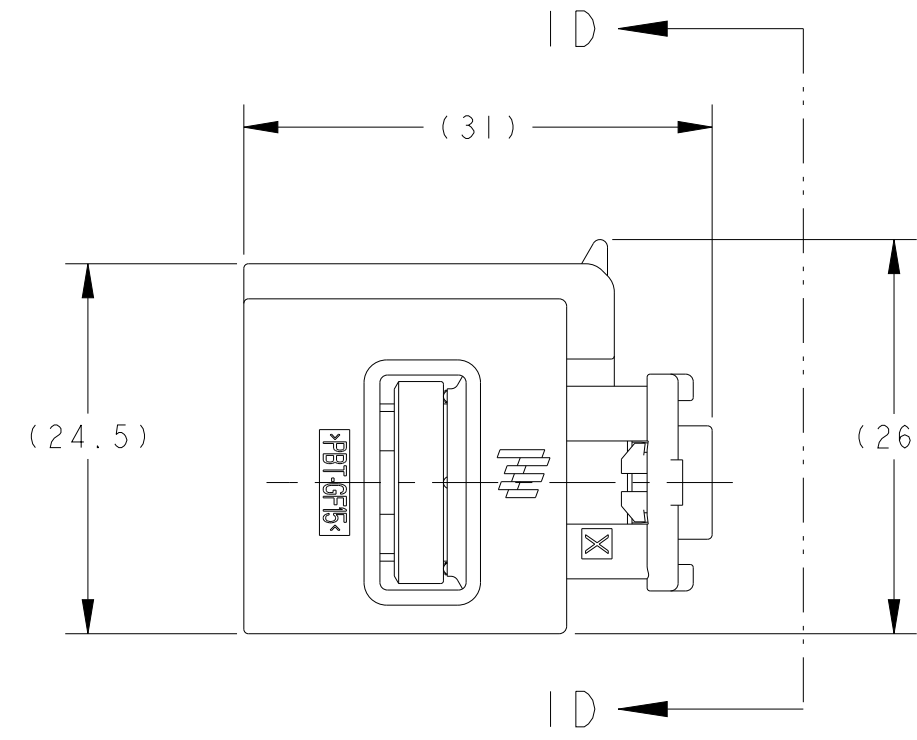


CPA PRE-LATCHED POSITION <sup>2</sup>

(8.9) (8.9)



(25.3)

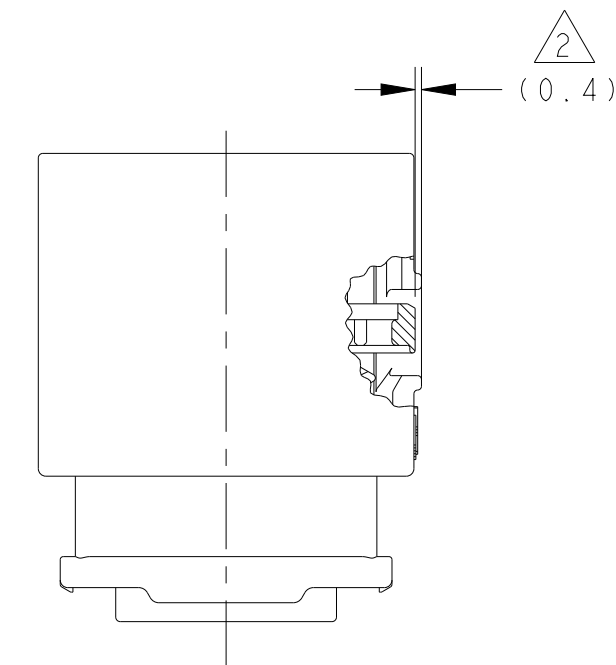


(24.5)

(26)

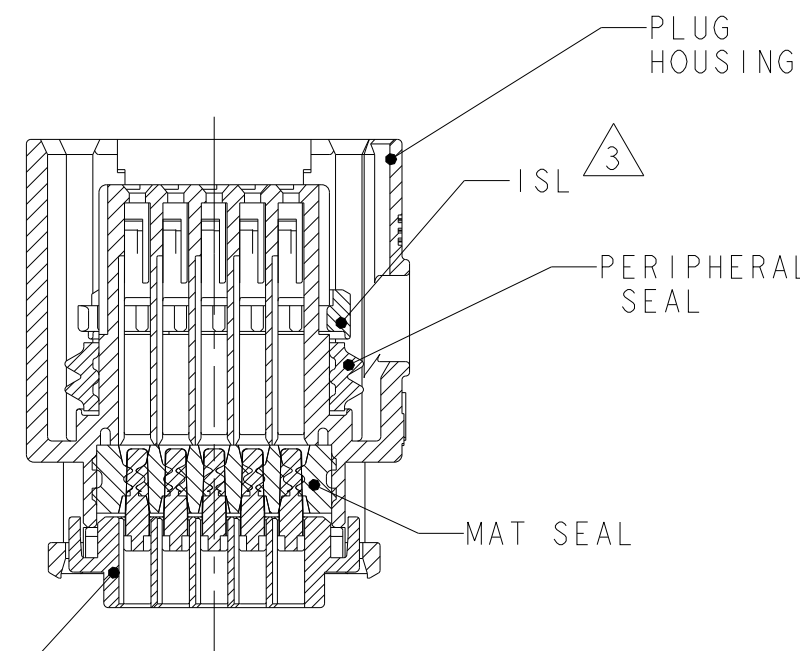
- <sup>1</sup> PLUG HOUSING: PBT, 15% GLASS-FILLED, COLOR: SEE TABLE  
PERIPHERAL SEAL: SILICONE, GREEN  
MAT SEAL: SILICONE, BLUE  
SEAL COVER: NYLON 6/6, 15% GLASS-FILLED, BLACK  
ISL: NYLON 6/6, 35% GLASS-FILLED, NATURAL  
CPA: PBT, 33% GLASS-FILLED, GRAY

- <sup>2</sup> OPTIONAL CPA & ISL SHOWN IN PRE-LATCHED, AS SHIPPED, POSITION.
- <sup>3</sup> OPTIONAL CPA & ISL SHOWN IN CLOSED POSITION.
- 4. PLUG ASSEMBLY MATES WITH USCAR INTERFACE DRAWING 064-S-010-2-Z01.
- 5. PLUG ASSEMBLY WILL ACCEPT THE FOLLOWING TERMINAL PART NUMBERS: 2035170-1, 2035170-2
- <sup>6</sup> PART NUMBERS MARKED AS PRELIMINARY HAVE NOT BEEN RELEASED PER FORMAL QUALIFICATIONS.
- 7. REFERENCE INSTRUCTION SHEET 408-10350 FOR ASSEMBLY INSTRUCTIONS.
- 8. KEYING OPTION "A" AS SHOWN.

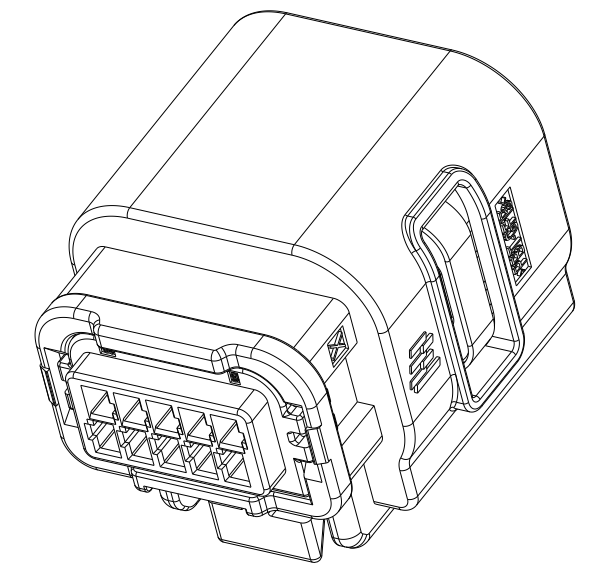
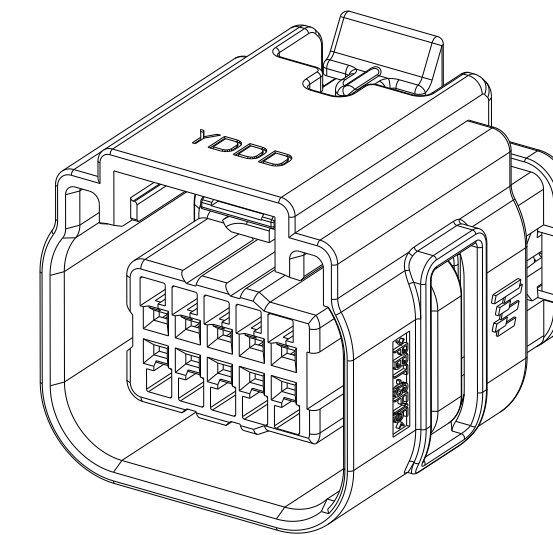


ISL PRE-LATCHED POSITION

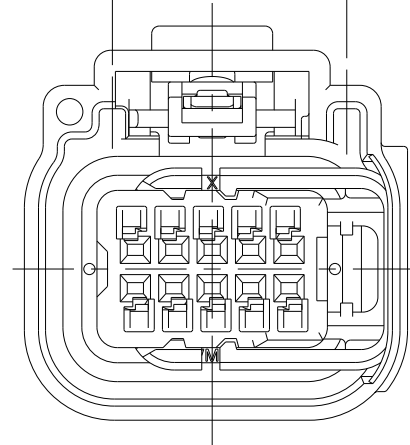
<sup>2</sup>  
(0.4)



ISL CLOSED POSITION

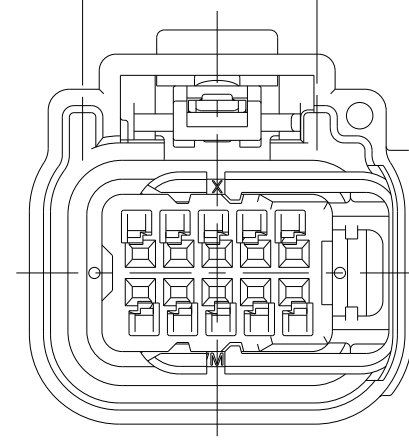


(6.6) (8.9)



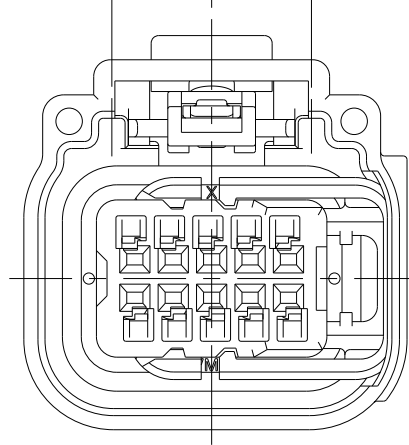
KEYING OPTION "B"

(8.9) (6.6)



KEYING OPTION "C"

(6.6) (6.6)



KEYING OPTION "D"

SEE SHEET 2 FOR PART NUMBERS AND CIRCUIT CONFIGURATIONS

THIS DRAWING IS A CONTROLLED DOCUMENT.		DWN S. VINAY 25MAR2009	TE Connectivity				
DIMENSIONS: mm		CHK MD BROWN 14APR2009					
TOLERANCES UNLESS OTHERWISE SPECIFIED:		APVD MD BROWN 14APR2009	NAME PLUG ASSEMBLY, 10 POSITION (2x5), SEALED, GENERATION Y				
0 PLC ±- 1 PLC ±0.3 2 PLC ±0.1 3 PLC ±- 4 PLC ±- ANGLES ±1° FINISH -		PRODUCT SPEC - APPLICATION SPEC -	SIZE A2	CAGE CODE 00779	DRAWING NO C-2098269	RESTRICTED TO -	
MATERIAL - <sup>1</sup>		WEIGHT -	CUSTOMER DRAWING		SCALE 2:1	SHEET 1 OF 2	REV B15

