

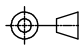

CODE 18 - DIRECT COUPLING, LOW PROFILE HEAT SHRINK BOOT BACKSHELL

218M516-19B

SERIES _____
 DASH NUMBER (TABLE 1) _____
 MANUFACTURER CODE _____
 SEE TABLE 2
 MATERIAL _____
 REFER TO CH00-0250-004
 FINISH _____
 REFER TO CH00-0250-004

NOTES:

1. THIS PRODUCT IS DESIGNED TO TERMINATE A HEAT SHRINKABLE LIPPED BOOT TO A CONNECTOR.
2. FOR ADDITIONAL DIMENSIONS, ORDERING INFORMATION AND MODIFICATION, SEE CH00-0250-004.
3. BACKSHELL TO BE PERMANENTLY MARKED/BAGGED AND LABELLED WITH CODE IDENTIFICATION NUMBER AND PART NUMBER. (e.g. 06090-218M516-19B).
4. BACKSHELL MATES TO MIL-DTL-5015D, CLASS A, E & R, MS3100, MS3101 & MS3106.
- ⑤ ALL THREAD SIZES FOR ORDER APPLY.
- ⑥ ADDITIONAL PIECE(S) SUPPLIED WHEN CONNECTOR MFR IS UNKNOWN (D IN TABLE 2)
- ⑦ OPTIONAL DESIGN FEATURE WHEN REQUIRED TO ALLOW SUFFICIENT SHOULDER FORWARD OF BOOT GROOVE

DRAWN	K.WINCZURA	DATE 25/09/2015	 3RD ANGLE PROJECTION NOT TO SCALE	TITLE: DIRECT COUPLING, LOW PROFILE HEAT SHRINK BOOT BACKSHELL	
CHECKED		25/09/2015		ASSY USED ON: MIL-DTL-5015D	
APPROVED	K.SHEPPARD	25/09/2015	UNLESS OTHERWISE SPECIFIED ALL DIMENSIONS IN MILLIMETRES GENERAL TOL LINEAR +/-0.25MM ANGULAR +/- 1°		
APPROVED	H.SMITH	06/10/2015			
REVISIONS					
LTR	DESCRIPTION	DATE	APPROVED		
G	REVISED PER ECN AD93042				
H	REVISED PER ECO-15-014373	06/10/2015	H.SMITH		
TE CAGE CODE: 06090 POLAMCO/TE CAGE CODE: U5792				TE CONNECTIVITY - POLAMCO LTD RESERVES THE RIGHT TO AMEND THIS DRAWING AND THE INFORMATION SET FORTH HEREON AT ANY TIME. USERS SHOULD INDEPENDENTLY EVALUATE THE SUITABILITY OF THE PRODUCT FOR THEIR APPLICATION.	DRAWING NO: 218M5XX
				DRAWING REV: H	SHT 1

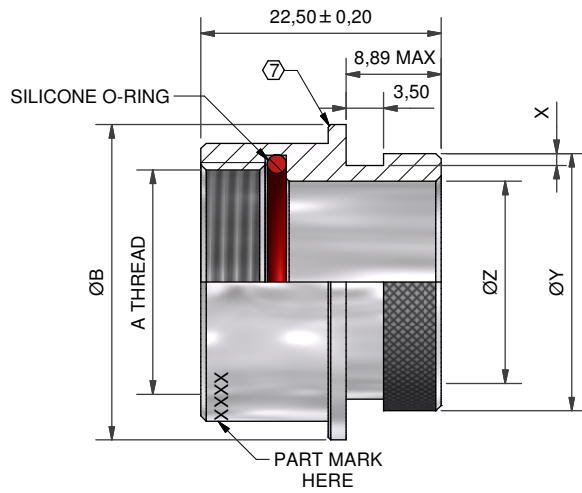
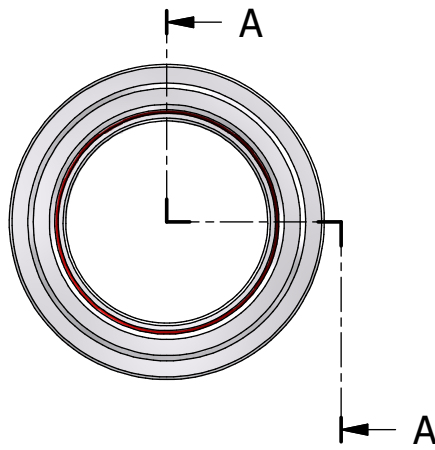
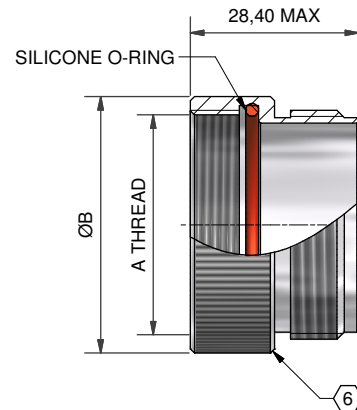


TABLE 1

ORDER NUMBER	SHELL SIZE	MFR CODE TABLE 3	A THREAD	ØB MAX	ØZ MIN	ØY MAX	X +0,20/-0,00
08	8S	B	3/8-32 UNEF	20,1	6,22	13,16	1,11
	8S	C	7/16-28 UNEF	20,1	7,80	13,16	1,11
	8S	A, R	7/16-27 UNS	20,1	7,80	13,16	1,11
	8S	D (6)	(5)	20,1	7,80	13,16	1,11
10	10S	-	1/2-28 UNEF	20,1	9,40	14,99	1,11
11	10SL	C	9/16-24 UNEF	23,1	11,00	14,99	1,11
	10SL	A, B, R	5/8-24 UNEF	23,1	12,57	19,28	1,11
	10SL	D (6)	(5)	23,1	11,00	19,28	1,11
12	12 & 12S	B, C	5/8-24 UNEF	23,1	12,57	19,28	1,11
	12 & 12S	A, R	11/16-24 UNEF	24,6	14,15	19,28	1,11
	12 & 12S	D (6)	(5)	24,6	12,57	19,28	1,11
14	14 & 14S	-	3/4-20 UNEF	26,4	15,75	20,91	1,11
16	16 & 16S	-	7/8-20 UNEF	29,5	18,92	24,08	1,11
18	18	-	1-20 UNEF	32,8	20,50	26,07	1,11
20	20	A, B, C	1 1/8-18 UNEF	35,8	25,27	34,04	1,75
	20	R	1 1/8-24 UNS	35,8	25,27	34,04	1,75
	20	D (6)	(5)	35,8	25,27	34,04	1,75
22	22	-	1 1/4-18 UNEF	39,1	28,45	36,28	1,75
24	24	-	1 3/8-18 UNEF	42,2	31,62	40,49	1,75
28	28	-	1 5/8-18 UNEF	48,5	34,80	43,03	2,18
32	32	B, C	1 7/8-16 UN	54,9	41,15	48,37	2,18
	32	A, R	1 29/32-18 UN	54,9	41,15	48,37	2,18
	32	D (6)	(5)	54,9	41,15	48,37	2,18
36	36	B	2 1/16-16 UNS	61,2	47,50	54,72	2,18
	36	R	2 1/16-20 UNS	61,2	47,50	54,72	2,18
	36	C	2 1/8-16 UN	61,2	47,50	54,72	2,18
	36	A	2 1/8-18 UNS	61,2	47,50	54,72	2,18
	36	D (6)	(5)	61,2	47,50	54,72	2,18
40	40	B	2 5/16-16 UN	67,6	53,85	60,63	2,18
	40	A, C, R	2 3/8-16 UN	67,6	53,85	60,63	2,18
	40	D (6)	(5)	67,6	53,85	60,63	2,18
44	44	-	2 5/8-16 UN	74,6	60,20	67,10	2,18
48	48	C	2 13/16-18 UNS	81,0	66,55	73,46	2,18
	48	A, R	2 7/8-16 UN	81,0	66,55	73,46	2,18
	48	D (6)	(5)	81,0	66,55	73,46	2,18

TABLE 2

MFR CODE	CONNECTOR MANUFACTURER (MS 3100, MS 3101 & MS 3106)
A	AMPHENOL - CLASS A
B	BENDIX - CLASS A, E & R
C	CANNON - CLASS A, E & R
D	MFR UNKNOWN, CLASS A, E & R
R	AMPHENOL - CLASS R
-	MFR CODE NOT REQUIRED



DRAWN	K.WINCZURA	DATE	25/09/2015
CHECKED		DATE	25/09/2015
APPROVED	K.SHEPPARD	DATE	25/09/2015
APPROVED	H.SMITH	DATE	06/10/2015

3RD ANGLE PROJECTION NOT TO SCALE

UNLESS OTHERWISE SPECIFIED ALL DIMENSIONS IN MILLIMETRES

GENERAL TOL LINEAR +/-0,25MM ANGULAR +/- 1°

TITLE: DIRECT COUPLING, LOW PROFILE HEAT SHRINK BOOT BACKSHELL

ASSY USED ON: MIL-DTL-5015D

REVISIONS			
LTR	DESCRIPTION	DATE	APPROVED
G	REVISED PER ECN AD93042		
H	REVISED PER ECO-15-014373	06/10/2015	H.SMITH

TE CONNECTIVITY - POLAMCO LTD RESERVES THE RIGHT TO AMEND THIS DRAWING AND THE INFORMATION SET FORTH HEREON AT ANY TIME. USERS SHOULD INDEPENDENTLY EVALUATE THE SUITABILITY OF THE PRODUCT FOR THEIR APPLICATION.

DRAWING NO:	218M5XX	DRAWING REV:	H	SHT	2
-------------	---------	--------------	---	-----	---



TE CAGE CODE: 06090
POLAMCO/TE CAGE CODE: U5792