

Würth Elektronik eiSos GmbH &amp; Co. KG

EMC &amp; Inductive Solutions

Max-Eyth-Straße 1 · 74638 Waldenburg · Germany

Tel. +49 (0) 79 42 945-0 · Fax +49 (0) 79 42 945-400

eiSos@we-online.de · www.we-online.de



## Retraction of Product / Process Change Notification (PCN)

- Major change  
 Minor change

**PCN #:** PCN\_WL-SWTP\_20210701\_1\_Retraction

**Affected Series:** WL-SWTP; 1583012xx

**PCN Date:** June 10, 2021

**Effective Date:** June 10, 2021

### Change Category:

- Equipment / Location  
 General Data  
 Material  
 Process  
 Product Design  
 Shipping / Packaging  
 Supplier  
 Software

**Contact:** Product Management

**Phone:** +49 (0) 7942 - 945 5001

**Fax:** +49 (0) 7942 - 945 5179

**E-Mail:** pcn.eisos@we-online.com

### Data Sheet Change:

Yes  No

### Attachment:

Yes  No

### DESCRIPTION AND PURPOSE OF CHANGE:

Due to factory investments Würth Elektronik is able to continue offering the original part before the change implemented in PCN\_WL-SWTP\_20210701\_1 (see attachment) from April 1<sup>st</sup> 2021 with effective date July 1<sup>st</sup> 2021.

There will be no change in form, fit, function, quality or reliability of the product.

### DETAIL OF CHANGE:

The lead frame will stay as it is before and the PCN\_WL-SWTP\_20210701\_1 is not valid.

The parts with the changed lead frame as described in PCN\_WL-SWTP\_20210701\_1 are not yet delivered or on stock, so no mix-up can occur.

See technical drawing below for current and continued valid drawings.

Würth Elektronik eiSos GmbH & Co. KG

EMC & Inductive Solutions

Max-Eyth-Straße 1 · 74638 Waldenburg · Germany

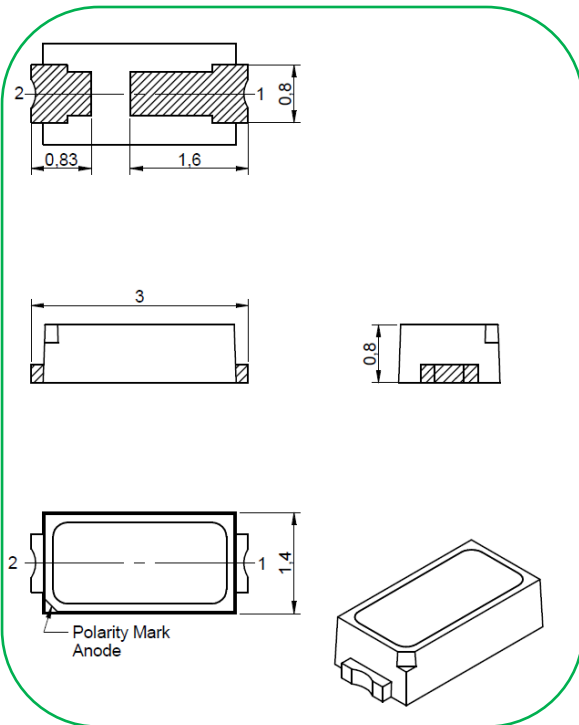
Tel. +49 (0) 79 42 945-0 · Fax +49 (0) 79 42 945-400

eiSos@we-online.de · www.we-online.de



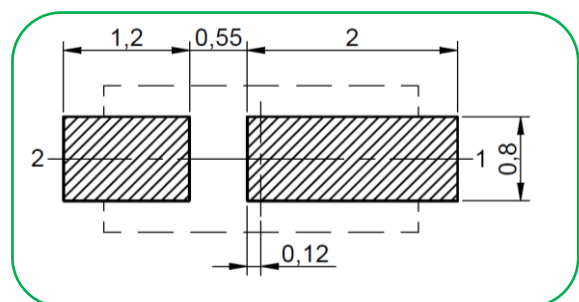
**TECHNICAL DRAWING:**

BEFORE CHANGE AND CONTINUED PRODUCT:



**SOLDERING PAD:**

BEFORE CHANGE AND CONTINUED PRODUCT:



Würth Elektronik eiSos GmbH & Co. KG

EMC & Inductive Solutions

Max-Eyth-Straße 1 · 74638 Waldenburg · Germany

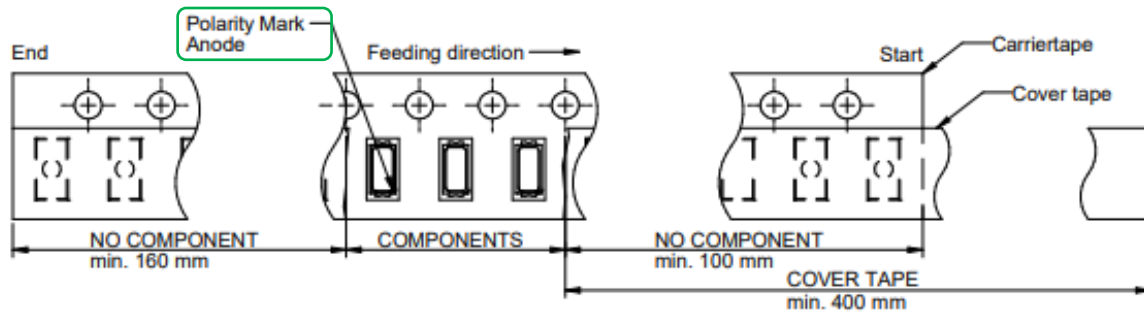
Tel. +49 (0) 79 42 945-0 · Fax +49 (0) 79 42 945-400

eiSos@we-online.de · www.we-online.de



#### PACKAGING DRAWING:

BEFORE CHANGE AND CONTINUED PRODUCT:



#### RELIABILITY / QUALIFICATION SUMMARY:

Product approval is according to the specification and is internally released by the Product Management Department.