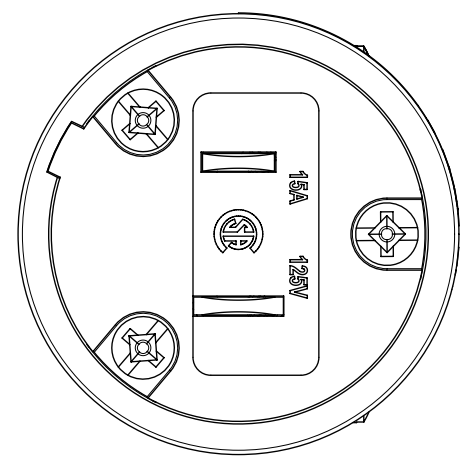
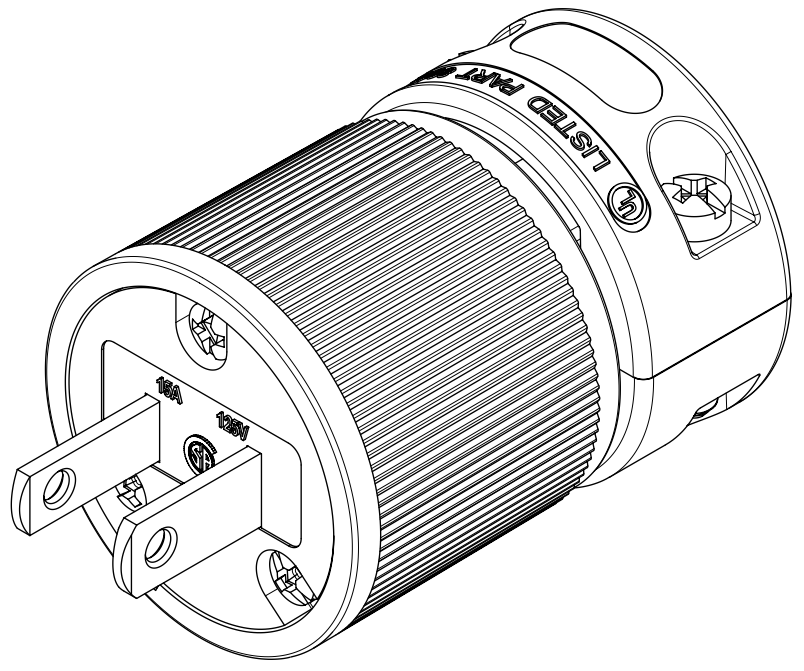
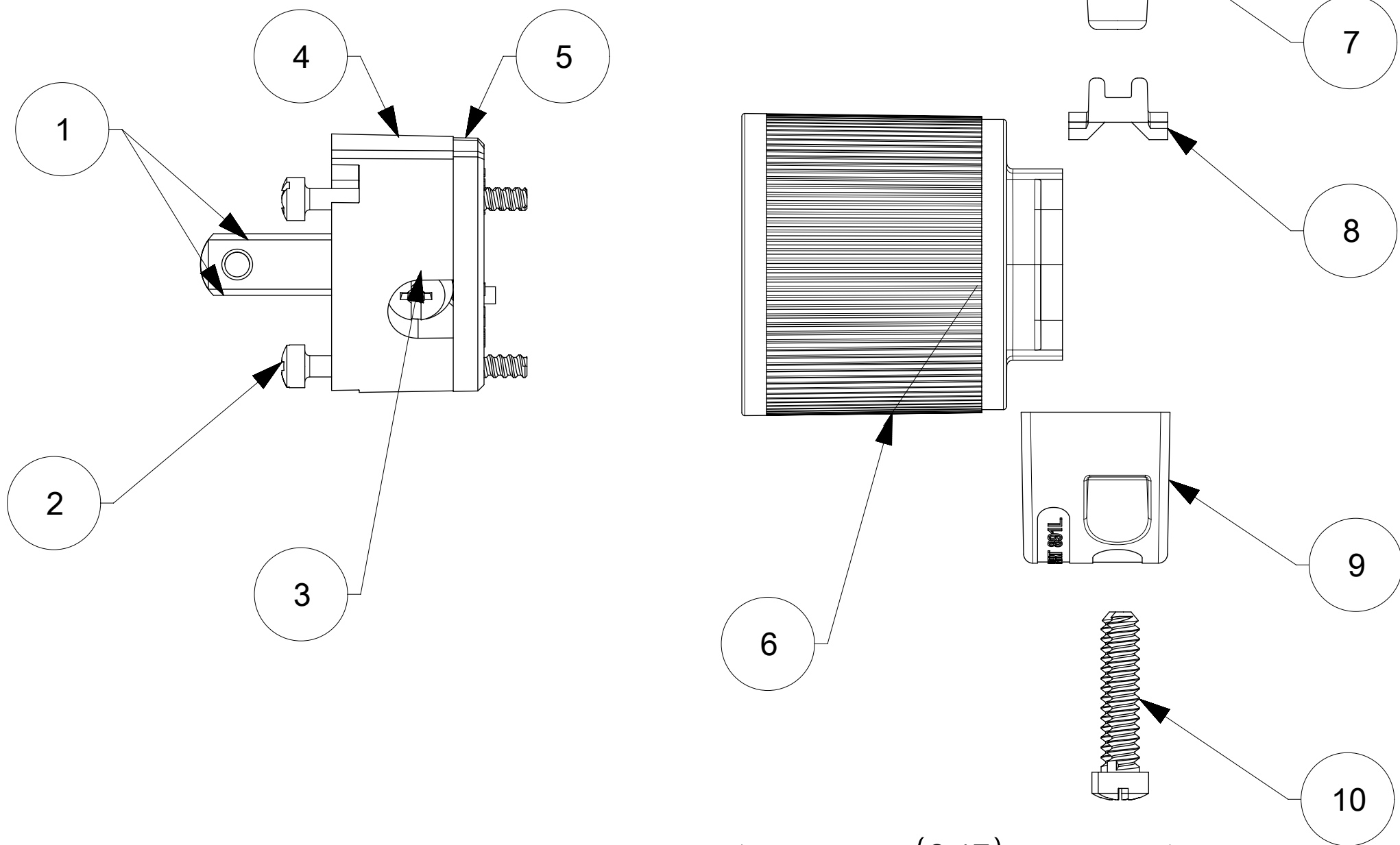
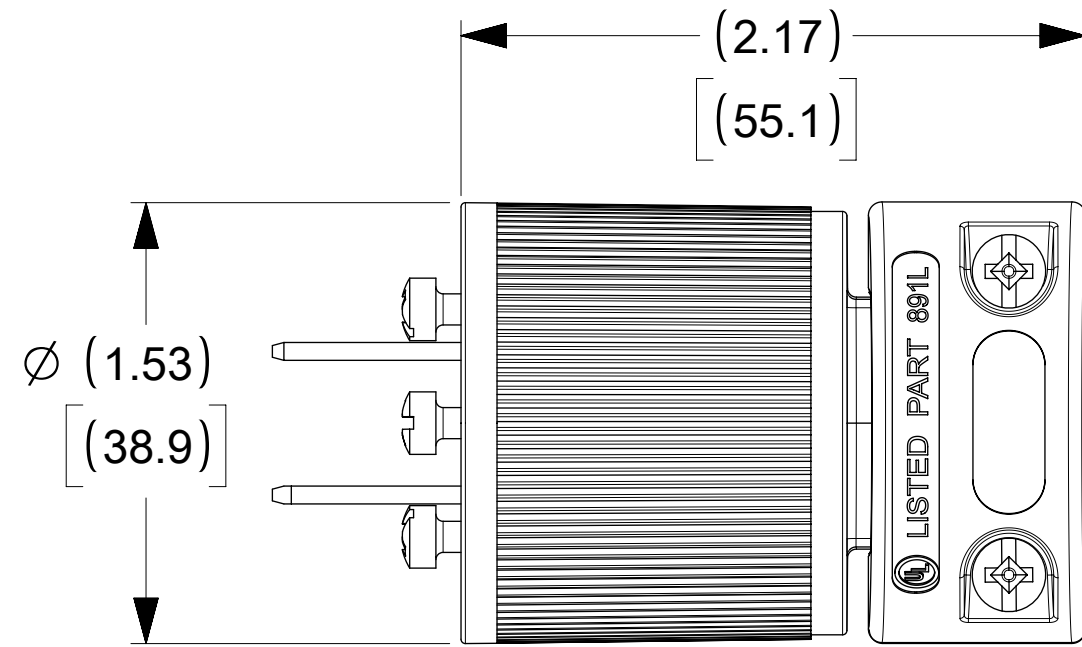


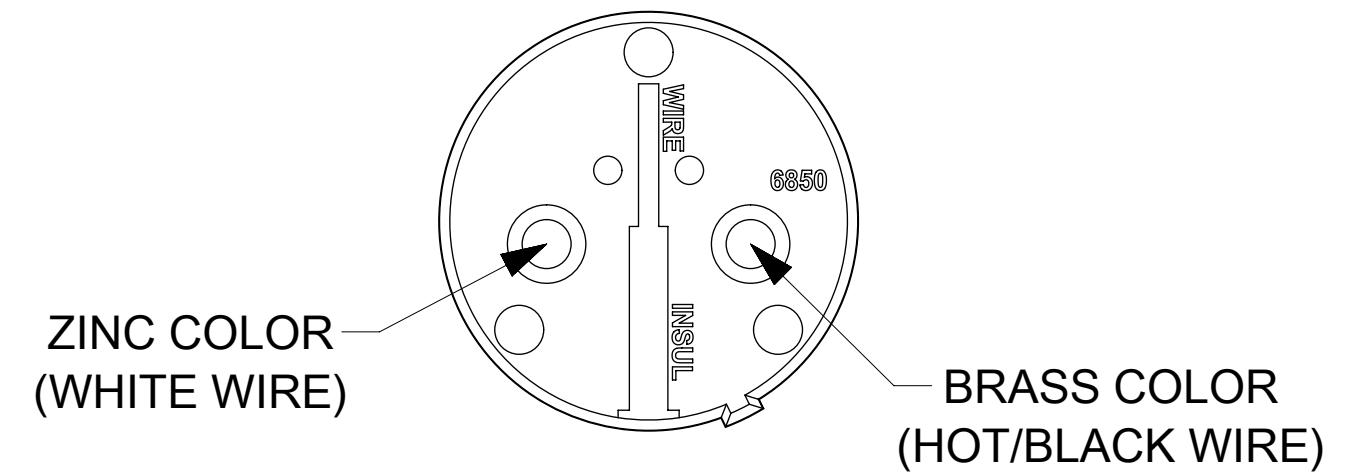
ORDER NO.	WOODHEAD NO.	COLOR
130144-0008	5176	BLACK



FACE VIEW



WIRING TERMINATION



ITEM NO.	DESCRIPTIONS	MATERIAL	QTY.
1	BLADES	BRASS	2
2	RETAINING SCREWS	STAINLESS STEEL	3
3	TERMINAL SCREWS/CLAMP ASSEMBLY	BRASS, ZINC PLATED	2
4	INSERT	NYLON	1
5	TERMINAL COVER	POLYCARBONATE	1
6	HOUSING	NYLON	1
7	CLAMP CORD MALE	NYLON	1
8	CLAMP CORD INSERT	NYLON	1
9	CLAMP CORD FEMALE	NYLON	1
10	RETAINING SCREWS	STEEL, ZINC PLATED	2

SYMBOLS	THIS DRAWING CONTAINS INFORMATION THAT IS PROPRIETARY TO MOLEX ELECTRONIC TECHNOLOGIES, LLC AND SHOULD NOT BE USED WITHOUT WRITTEN PERMISSION			
	DIMENSION UNITS	SCALE	CURRENT REV DESC: NEW RELEASE	
▽ = 0	INCH[MM]	NTS	<p>molex</p> <p>SAFeway POLAR PLUG 2P2W 1-15</p> <p>PRODUCT CUSTOMER DRAWING</p> <p>DOCUMENT NUMBER: 1301440008 DOC TYPE: PSD DOC PART: 000 REVISION: A</p> <p>MATERIAL NUMBER: SEE TABLE CUSTOMER: GENERAL MARKET SHEET NUMBER: 1 OF 1</p>	
▽ = 0	GENERAL TOLERANCES (UNLESS SPECIFIED)			
▽ = 0	MM	INCH		
▽ = 0	4 PLACES ±	±		
▽ = 0	3 PLACES ±	±	EC NO: 621489	
▽ = 0	2 PLACES ±	±	DRWN: V BASUTHKARP 2019/02/25	
▽ = 0	1 PLACE ±	±	CHK'D: DNGUYEN62 2019/12/02	
▽ = 0	0 PLACES ±	±	APPR: HKNEELAND 2020/01/13	
▽ = 0	ANGULAR TOL ± °		INITIAL REVISION:	
▽ = 0	DRAFT WHERE APPLICABLE MUST REMAIN WITHIN DIMENSIONS	THIRD ANGLE PROJECTION	DRWN: V BASUTHKARP 2019/02/25	
		DRAWING	APPR: HKNEELAND 2020/01/13	
		SERIES	C-SIZE 130144	