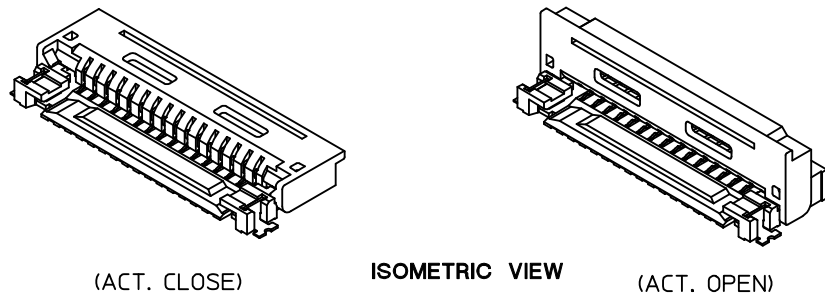
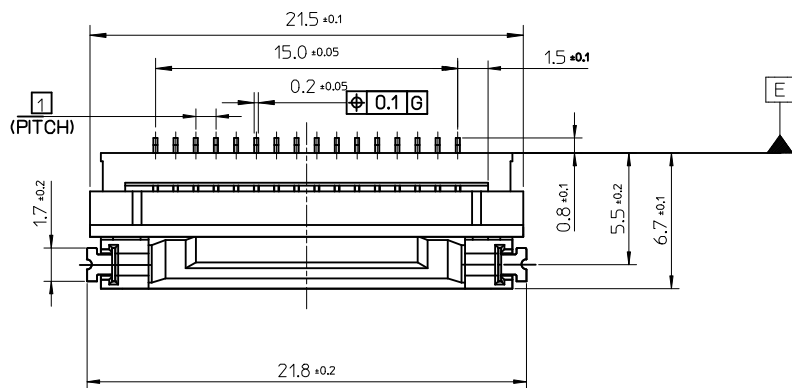
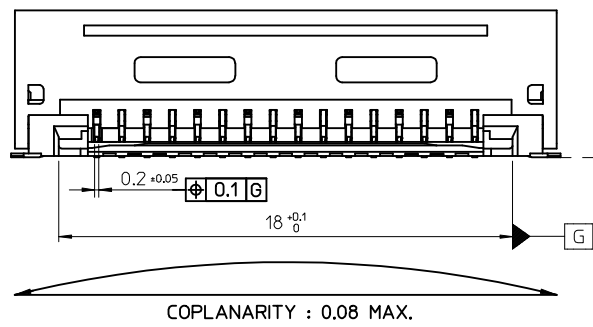


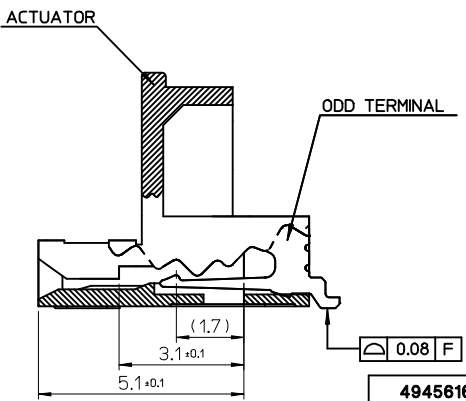
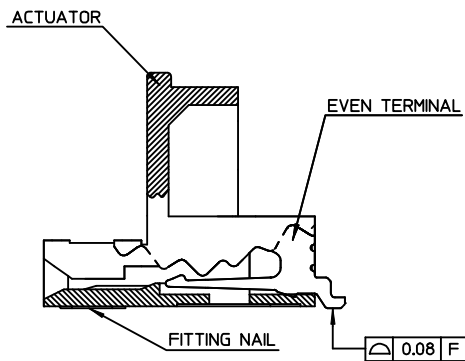
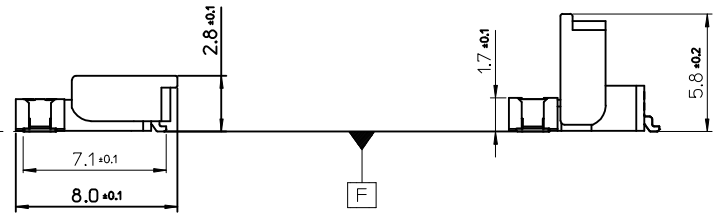
10 9 8 7 6 5 4 3 2 1



ISOMETRIC VIEW



COPLANARITY : 0.08 MAX.



NOTES

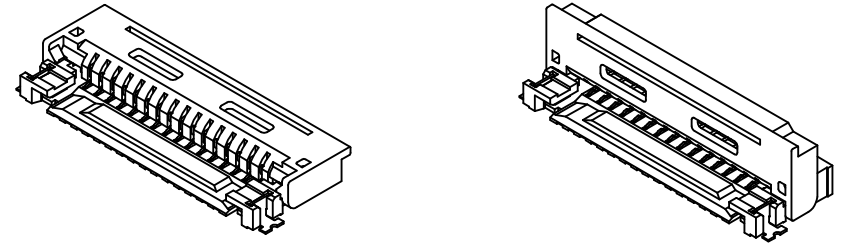
1. MATERIAL
 - HOUSING : LCP GLASS FILLED, UL94V-0, COLOR:BEIGE.
 - ACTUATOR : LCP GLASS FILLED, UL94V-0, COLOR:BLACK.
 - TERMINAL : COPPER ALLOY, C52100-H10.
 - FITTING NAIL : COPPER ALLOY, C52100-H04.
2. FINISHES
 - TERMINAL : TIN[Sn] OVER NICKEL[Ni] PLATING.
TIN[Sn] 1.5~3 MICROMETER
NICKEL[Ni] 2~4 MICROMETER (UNDER PLATING)
 - FITTING NAIL : TIN[Sn] OVER NICKEL[Ni] PLATING.
TIN[Sn] 1.5~3 MICROMETER.
NICKEL[Ni] 1~3 MICROMETER (UNDER PLATING)
3. PRODUCT SPECIFICATION : PS-49456-001
4. PACKING SPECIFICATION : PK-49456-001
5. ACTUATOR IS OPEN IN THE EMBOSSED PACKING

494561617
ORDER NO.

REVISED EC NO: KOR2016-0047 DRW:KTK1M01 2015/12/01 CHK:DKSKIM 2015/12/01 APPR:YSK1M02 2015/12/07	DESCRIPTION QUALITY SYMBOLS ▽=0 ◻=0	GENERAL TOLERANCES (UNLESS SPECIFIED)		DIMENSION STYLE MM ONLY		SCALE METRIC	DESIGN UNITS METRIC	THIRD ANGLE PROJECTION		
		4 PLACES ± --- ± ---	DRAWN BY JH.LEE	DATE 2007/10/22	TITLE 1.0 FFC BACKFLIP CONN. HOUSING ASSY 16P		MOLEX INCORPORATED			
		3 PLACES ± --- ± ---	CHECKED BY KSKIM	DATE 2007/10/22	MATERIAL NO. SEE TABLE					
		2 PLACES ± 0.25 ± ---	APPROVED BY YUNSIKKIM	DATE 2012/01/10	DRAFT WHERE APPLICABLE MUST REMAIN WITHIN DIMENSIONS		THIS DRAWING CONTAINS INFORMATION THAT IS PROPRIETARY TO MOLEX INCORPORATED AND SHOULD NOT BE USED WITHOUT WRITTEN PERMISSION			
1 PLACE ± 0.3 ± ---	ANGULAR ± 1 °		SIZE A3							

9 8 7 6 5 4 3 2 1

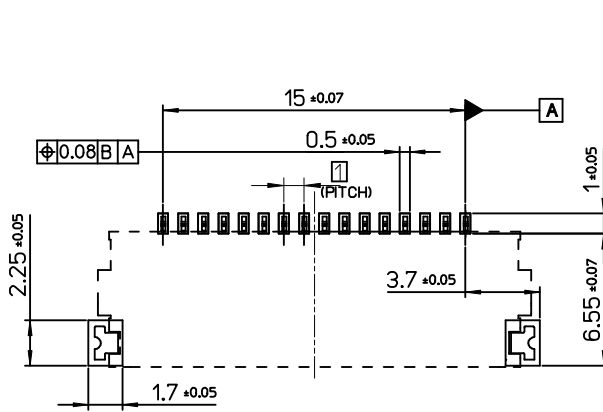
LEAD-FREE



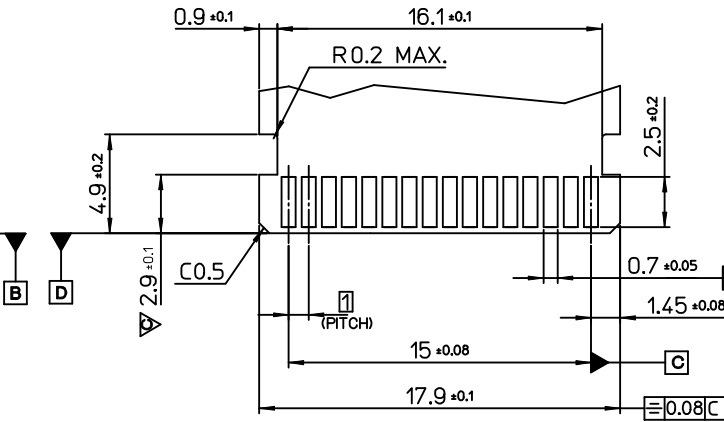
(ACT. CLOSE)

ISOMETRIC VIEW

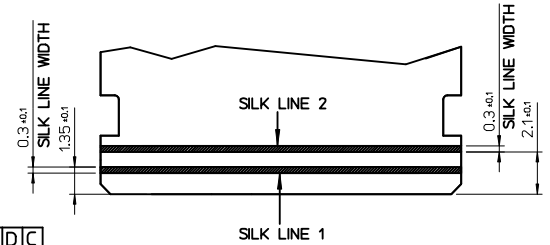
(ACT. OPEN)



P.C. BOARD DIMENSION (RECOMMEND)



FPC/FFC DIMENSION (RECOMMEND)
(FLIM THICKNESS = 0.3±0.05)

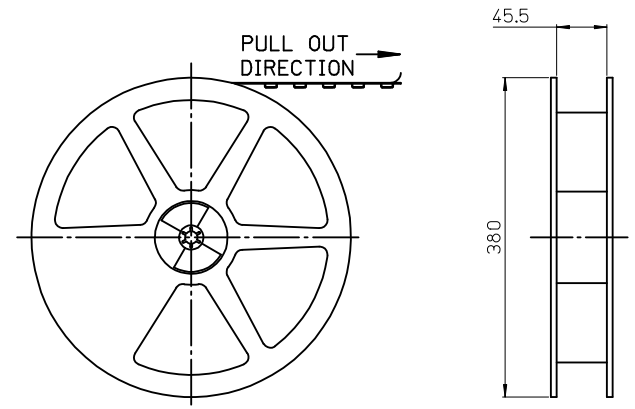
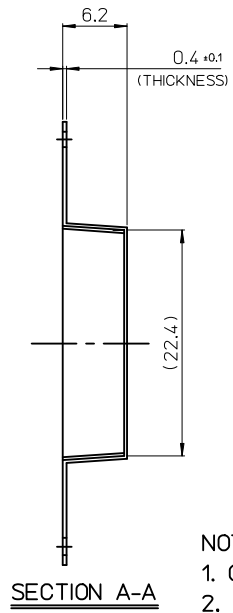
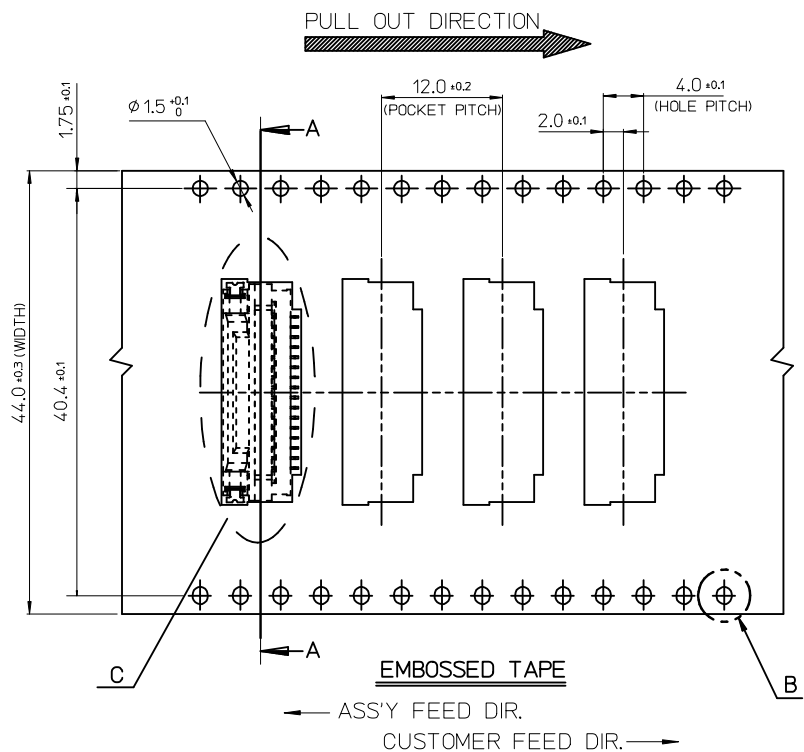


FPC/FFC DIMENSION BACK SIDE (RECOMMEND)

1. RECOMMENDED FFC SPECIFICATION
WHEN FFC FULLY INSERT : SILK LINE 1 : INVISIBLE
SILK LINE 2 : VISIBLE

REVISED EC NO: KOR2016-0047 DRW:KTK/IM01 2015/12/01 CHK:D-KSK/IM 2015/12/01 APPR:YSK/IM02 2015/12/07	QUALITY SYMBOLS ▽=0 Ⓢ=0	GENERAL TOLERANCES (UNLESS SPECIFIED)		DIMENSION STYLE MM ONLY		SCALE	DESIGN UNITS	THIRD ANGLE PROJECTION		
			mm	INCH	DRAWN BY	DATE	TITLE			
		4 PLACES	± ---	± ---	JH.LEE	2007/10/22	1.0 FFC BACKFLIP CONN. HOUSING ASSY 16P			
		3 PLACES	± ---	± ---	CHECKED BY	DATE				
	2 PLACES	± 0.25	± ---	KS.KIM	2007/10/22					
	1 PLACE	± 0.3	± ---	APPROVED BY	DATE					
		ANGULAR ± 1 °		YUNSIKKIM	2012/01/10					
		DRAFT WHERE APPLICABLE MUST REMAIN WITHIN DIMENSIONS		MATERIAL NO.						
				SIZE	SEE SHEET1					
				THIS DRAWING CONTAINS INFORMATION THAT IS PROPRIETARY TO MOLEX INCORPORATED AND SHOULD NOT BE USED WITHOUT WRITTEN PERMISSION						

10 9 8 7 6 5 4 3 2 1

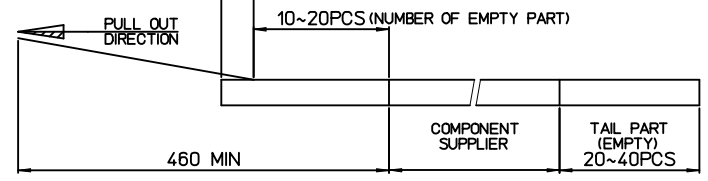


PLASTIC BOBBIN

NOTES

1. QUANTITY OF CONNECTORS : 1200PCS/REEL

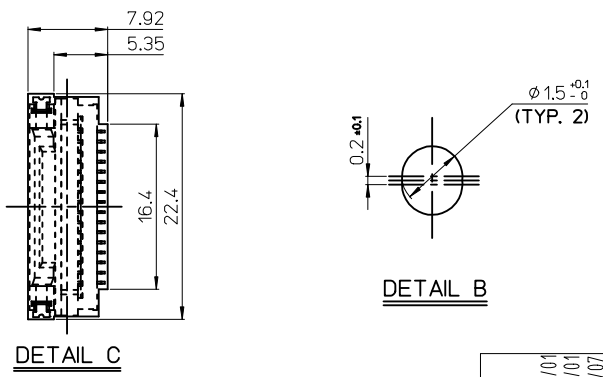
2. LEAD LENGTH 25 ± 10
10~20PCS (NUMBER OF EMPTY PART)



3. PEELING OFF FORCE OF COVER TAPE : 0.1N~0.59N(10.2gf~60gf)
(PEELING DIRECTION AS SHOW IN FOLLOW FIG.)
PEELING OFF SPEED : 300mm/Min.(Ref.)



4. FLASH IN ANY PORTION SHOULD BE LESS THAN 0.20mm MAX.



NO.	DESCRIPTION	MATERIAL	REMARK
3	PLASTIC BOBBIN	HI P.S	WHITE
2	COVER TAPE	P.E.T	37.5mm
1	CARRIER (EMBOSSD) TAPE	P.E.T	-

MATERIAL NO.	CONNECTOR	EMBOSS TAPE
494561617	494561610	494569916

REVISED

EC NO: KOR2016-0047

DRW:KTK/IM01 2015/12/01

CHK:KSK/IM 2015/12/01

APPR:YSK/IM02 2015/12/07

DESCRIPTION

REV

QUALITY SYMBOLS	GENERAL TOLERANCES (UNLESS SPECIFIED)	
	mm	INCH
▽=0	4 PLACES ± ---	± ---
∇=0	3 PLACES ± ---	± ---
	2 PLACES ± 0.25	± ---
	1 PLACE ± 0.3	± ---
	ANGULAR ± 1 °	

DRAFT WHERE APPLICABLE MUST REMAIN WITHIN DIMENSIONS

DIMENSION STYLE	
MM ONLY	
DRAWN BY	DATE
JH.LEE	2007/10/22
CHECKED BY	DATE
KS.KIM	2007/10/22
APPROVED BY	DATE
YUNSIKKIM	2012/01/10
MATERIAL NO.	
SEE TABLE	

SCALE	DESIGN UNITS	THIRD ANGLE PROJECTION
	METRIC	
TITLE		
1.0 FPC BACKFLIP CONN. HOUSING ASSY 16P		
MOLEX INCORPORATED		
DOCUMENT NO.	SHEET NO.	
SD-49456-002	3 OF 3	
THIS DRAWING CONTAINS INFORMATION THAT IS PROPRIETARY TO MOLEX INCORPORATED AND SHOULD NOT BE USED WITHOUT WRITTEN PERMISSION		

9 8 7 6 5 4 3 2 1