

MICRO SWITCH

FREERPORT ILLINOIS, U.S.A
A DIVISION OF HONEYWELL
FED. MFG. CODE 91929

SWITCH-BASIC

CATALOG LISTING

V3-3015

CK-X3270

V3-3015

M

DRAWING NUMBER

X 2

X 5

ISSUE

X 5

REPLACES

PR-5823

CHECK

REVISIONS

CHECK

CHECK

CHECK

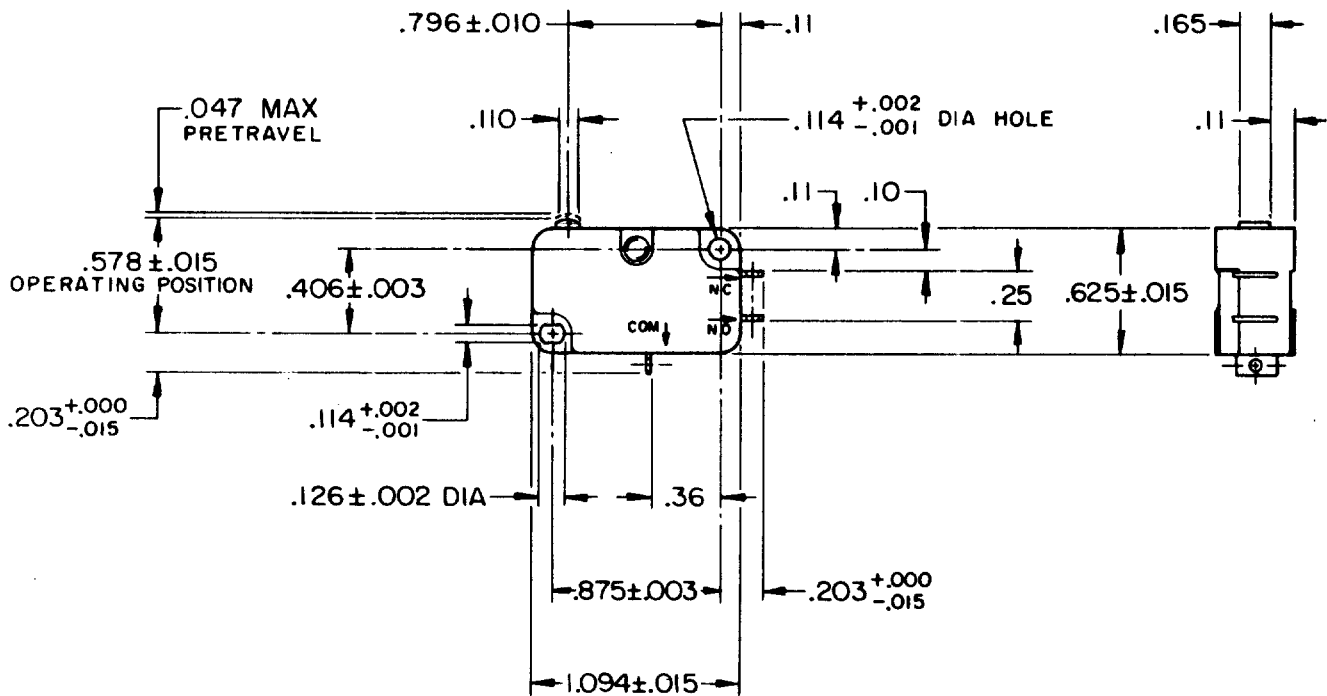
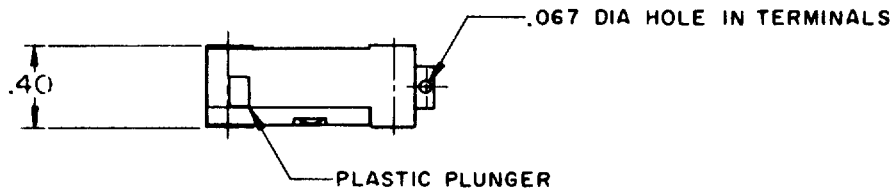
CHECK

CHECK

CHECK

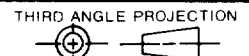
CHECK

CHECK



NOTE -
I - TERMINALS ARE PLATED FOR SOLDERING

THIS DRAWING COVERS A PROPRIETARY ITEM AND IS THE PROPERTY OF MICRO SWITCH, A DIVISION OF HONEYWELL. THIS DRAWING IS NOT TO BE COPIED OR USED WITHOUT THE APPROVAL OF MICRO SWITCH.



CHARACTERISTICS	
OPERATING FORCE	---150 GRAM MAX
RELEASE TRAVEL	----- .010 MIN
RELEASE FORCE	-----15 GRAM MIN
DIFFERENTIAL TRAVEL	----.002-.010
OVERTRAVEL	----- .050 MIN
FREE POSITION	----- .625 MAX

ELECTRICAL DATA	
CONTACT ARRANGEMENT S P D T	
L83 15.1A 1/2HP 125 OR 250 VAC 1/2A 125 VDC, 1/4A 250 VDC 5A 125 VAC "L"	

SCALE FULL				
DO NOT SCALE PRINT				
TOLERANCES				
APPLY TO DESIGN UNITS. CONVERSIONS ARE ONLY FOR REFERENCE. UNLESS NOTED, TOLERANCES ARE ±				
DIM.	TOL.	DIM.	TOL.	
mm	mm/in	in	mm/in	
NO PLACES	X	1/04	X X	0.8/03
ONE PLACE	X,X	0.4/016	X XX	0.38/015
TWO PLACES	X,XX	0.15/006	X XXX	0.13/005
THREE PLACES	X,XXX			
ANGLES				
SI METRIC		US CUSTOMARY		
DESIGN UNITS	<input type="checkbox"/>	<input checked="" type="checkbox"/>		
WEIGHT				

FO-52848-A

DRAWN

GLH 22 APR 76