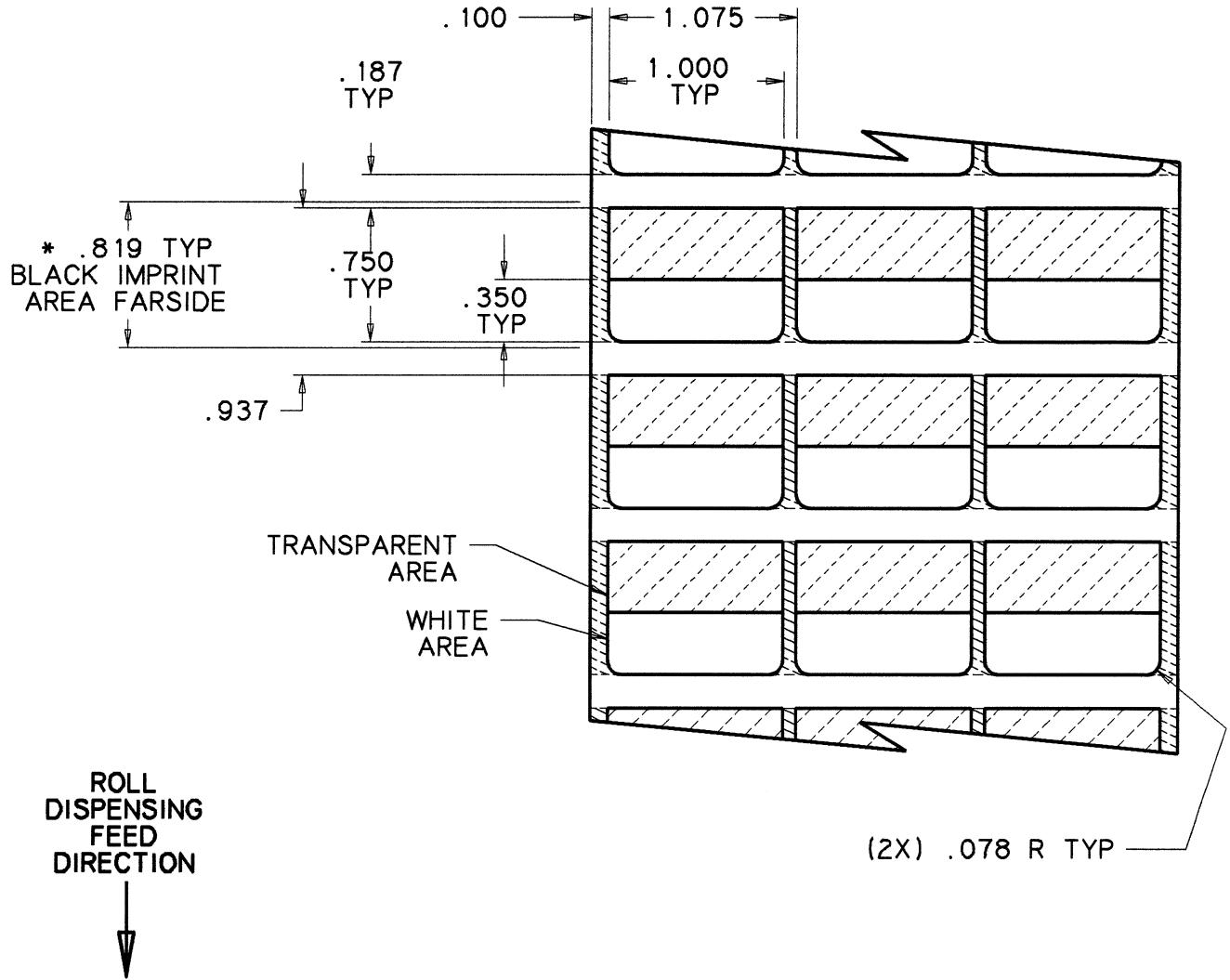


name	date	city, state

NOTES

* DIMENSIONS FOR FAR SIDE OF RELEASE LINER



10,000 WHITE/TRANSPARENT LABELS PER ROLL
3 ACROSS

REVISION	level	A	DIMENSIONS	.XXXX=	PART	number	TAG51T3-100B	phase	PRODUCTION	DRAWING	FORMAT AV version J	CAD	PD	scale	1X
	by	AAM		TOLERANCES		.XXX= ±.010	name	TAG51T3-100B	computer file number		LA\DTL\3002120A	previous number			
	date	12/8/98		.XX=		.X=	THERMAL TRANSFER	checked	12/8/98		checked	12/11/98	approved		
	ECN #	000943		∠=		unless otherwise specified	SELF-LAMINATING LABEL	type	DETAIL		sheet	1 of 1			
	part level	A		units		inches	material	100 CLEAR VINYL ON A 50 LB LINER	number		LA3002120DTL				