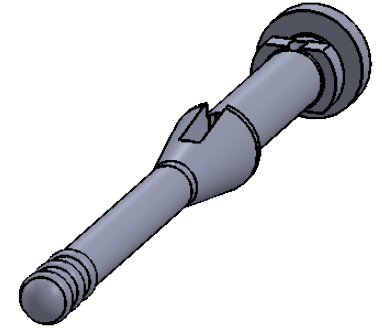
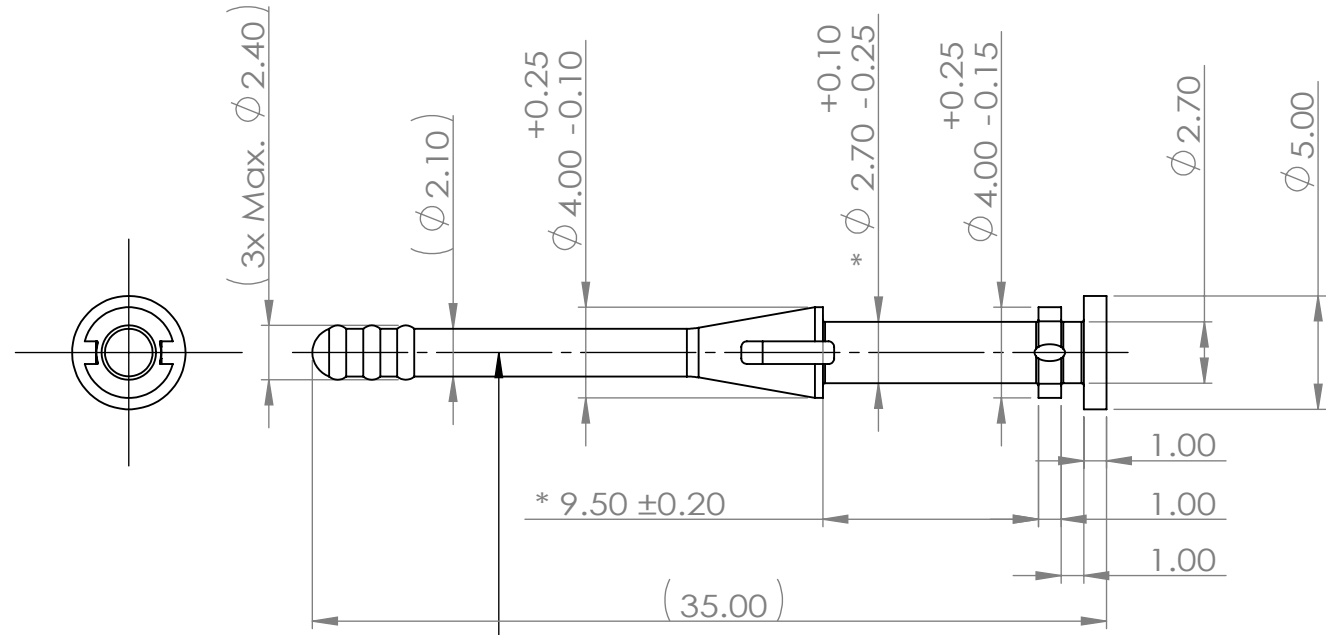


REVISIONS				
DRAWN	REV.	DESCRIPTION	DATE	APPROVED
PM	1	Initial Design	Jun. 07, 2018	MS



SCALE 3:1

SCALE 3:1

Cavity Number

- NOTES:
- * Critical Dimension
 - Tolerance table on the last page

	MATERIAL / Color: See Material and Tolerance table on the last page	AEARO TECHNOLOGIES LLC * a 3M company		
	QUALITY CONTROL: MUST COMPLY WITH AEARO TECHNOLOGIES LLC SUPPLIER QUALITY MANUAL REQUIREMENTS	TITLE Fan Mount		
UNIT: mm	NOTES: MANY FEATURE NOT DIMENSIONED IN PRINT MUCH BE VISIBLY PRESENT, UTILIZE 3D CAD FOR CREATION	SIZE	DWG NO.	PAGE OF
VOL. & WT 195 mm^3		A4	F-251-X	1/2
3RD ANGLE PROJECTION				

PART NUMBER	MATERIAL	COLOR
X-XXX-1	C-1002	BLUE
X-XXX-2	C-1105	TURQUOISE
X-XXX-3	C-1100	YELLOW
X-XXX-C1130	C-1130	GREY
X-XXX-C8002	C-8002	SKY BLUE
X-XXX-C8012	C-8012	BLACK
X-XXX-C8070	C-8070	BLACK
X-XXX-C8130	C-8130	BLACK
X-XXX-C6040	C-6040	BLACK
X-XXX-C6050	C-6050	BLACK
X-XXX-C6060	C-6060	BLACK
X-XXX-SL20300	SL-20300	BLACK
X-XXX-SL35300	SL-35300	BLACK
X-XXX-SL50300	SL-50300	BLACK
X-XXX-SL60300	SL-60300	BLACK
X-XXX-V2325	V-2325	BLACK
X-XXX-V2350	V-2350	BLACK
X-XXX-V2375	V-2375	BLACK
X-XXX-V2525	V-2525	BLACK
X-XXX-V2550	V-2550	BLACK
X-XXX-V2575	V-2575	BLACK
X-XXX-V2590	V-2590	BLACK
X-XXX-V2599	V-2599	NATURAL
X-XXX-V2725	V-2725	BLACK
X-XXX-V2750	V-2750	BLACK
X-XXX-V2775	V-2775	BLACK

C-1XXX, C-8XXX,
C-6XXX, V-XXXX


RANGE	TOL.
0.00 < DIM < 2.00	±0.15
2.00 <= DIM < 25.00	±0.25
25.00 <= DIM < 50.00	±0.40
50.00 <= DIM	±0.60
PARTING LINE	±0.10
DRAFT ANGLE	±1.0°
FLASH	±0.12
GATE	±0.15

C-8070, C-8130

RANGE	TOL.
0.00 < DIM < 2.00	±0.10
2.00 <= DIM < 25.00	±0.20
25.00 <= DIM < 50.00	±0.30
50.00 <= DIM	±0.40
PARTING LINE	±0.10
DRAFT ANGLE	±1.0°
FLASH	±0.10
GATE	±0.20

SL-XXXXX

RANGE	TOL.
0.00 < DIM < 10.00	±0.10
10.00 <= DIM < 20.00	±0.20
20.00 <= DIM < 50.00	±0.25
50.00 <= DIM < 80.00	±0.35
80.00 <= DIM	±0.5%
PARTING LINE	±1.0°
FLASH	Max.0.3

		AEARO TECHNOLOGIES LLC * a 3M company	
		TITLE Fan Mount	
QUALITY CONTROL: <small>MUST COMPLY WITH AEARO TECHNOLOGIES LLC SUPPLIER QUALITY MANUAL REQUIREMENTS</small>	SIZE A4	DWG NO. F-251-X	PAGE OF 2/2
NOTES: <small>MANY FEATURE NOT DIMENSIONED IN PRINT MUCH BE VISIBLY PRESENT. UTILIZE 3D CAD FOR CREATION</small>			