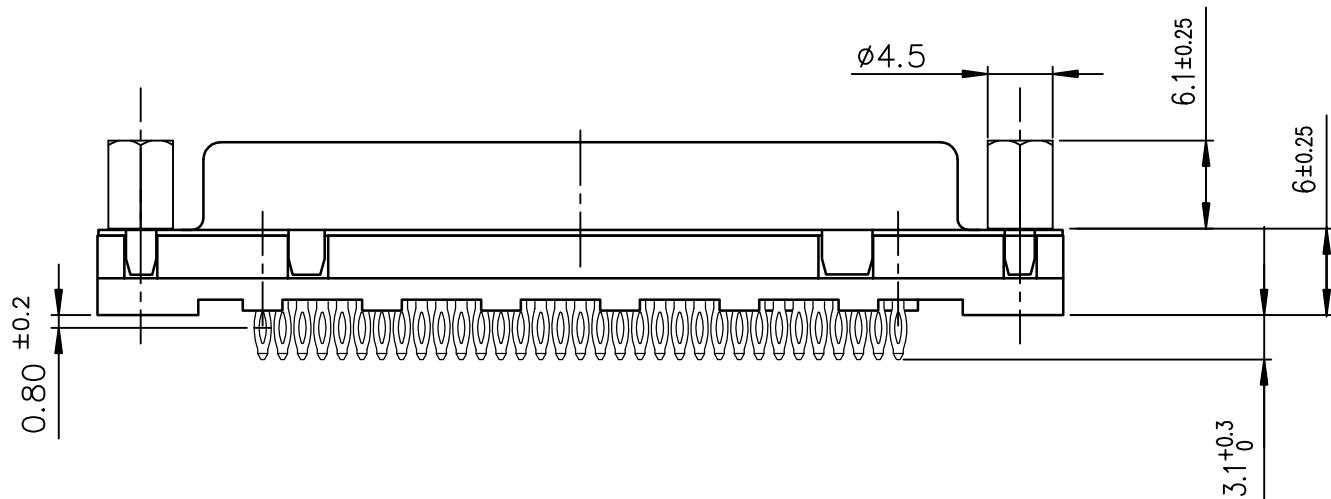


A

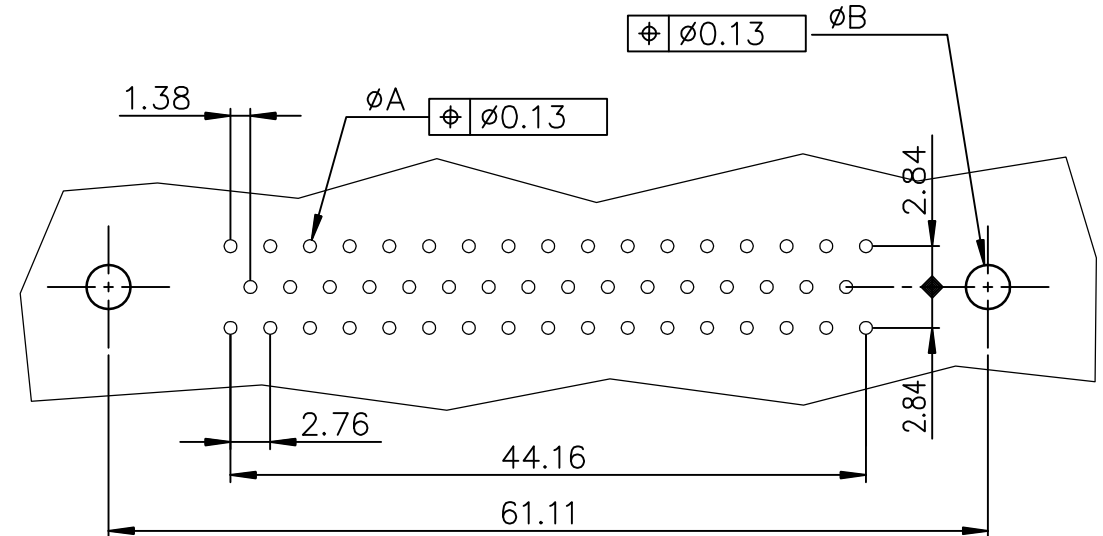
A

B

B



PC board drilling dimensions
(after plating – thickness: 1.60 to 3.20 mm)



C

C

PART NUMBER	
flash gold	D50S91C4PS00LF
0.76» gold	D50S91C6PS00LF

GENERAL CHARACTERISTICS AND ROHS INFORMATIONS:

SEE DRAWING C01-8646-0001

European Views

www.fciconnect.com			surface ISO 1302	tolerance std ISO 406 ISO 1101	projection mm
			TOLERANCES UNLESS OTHERWISE SPECIFIED		size A3
Dr	NIRMAL GEORGE	2009-09-23	ANGULAR	0.X	±0.1
Eng	NIRMAL GEORGE	2009-09-23	LINEAR	0.XX	±0.1
Chr	NIRMAL GEORGE	2009-10-13	0.XX' ±2'	0.XXX	±0.1
Appr	SUDHIR VARMA	2009-10-13	Product family	D-SUB	Spec ref -
FCi			title FEMALE CONNECTOR DELTA D Straight Press fit-Female Screw M2.6		Rev. A
			catalog no	see table	dwg no C-DD-0137
					CUSTOMER sheet 1 of 1

rev	ecn no	dr	date
A	109-0220	NG	2009-10-13
-	-	-	-
-	-	-	-
-	-	-	-
-	-	-	-



Copyright FCI.

D

D