

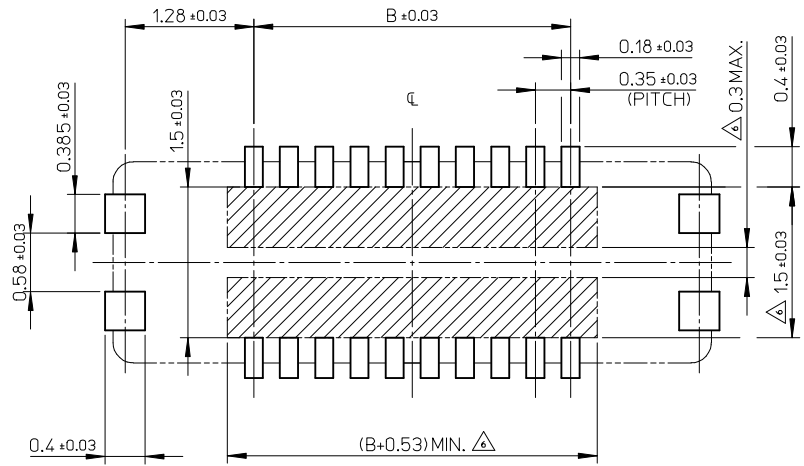
NOTES

- MATERIAL  
HOUSING : LIQUID CRYSTAL POLYMER UL94V-0(COLOR : BLACK)  
TERMINAL : COPPER ALLOY  
FITTING NAIL : COPPER ALLOY
- PLATING  
TERMINAL :  
GOLD  
UNDER PLATING : NICKEL  
\*DIVIDE INTO PARTS THE GOLD PLATING OF THE CONTACT AND THE TAIL PART BY THE NICKEL PLATING.  
FITTING NAIL :  
GOLD  
UNDER PLATING : NICKEL  
\*DIVIDE INTO PARTS THE GOLD PLATING OF THE CONTACT AND THE TAIL PART BY THE NICKEL PLATING.
- APPLY FOR (CIRCUIT/2)=EVEN.
- MATE WITH : 505070-\*\*\*10
- TAIL AND FITTING NAIL COPLANARITY TO BE 0.08MAXIMUM.
- PROHIBITED AREA OF PATTERN WIRING AND SOLDER.  
(FOR EACH AREA, THE WIRING THAT TOUCHES ON THE SOLDER CAN BE ATTACHED, THEN COVERED WITH A FILM TO KEEP SOLDER OUT.)
- ELV and RoHS COMPLIANT.

1.75	4.55	505066-1210	o	---	12
0.70	3.50	505066-0610	o	---	6
B	A	EMBOSSED TAPE PACKAGE	HIGH VOL. TOOL	LOW VOL. TOOL	CIRCUIT
		ORDER NO.	SAMPLE PREPARATION o : TOOLED Δ : WORK IN PROCESS ---: TOOLING TO BE CONFIRMED		

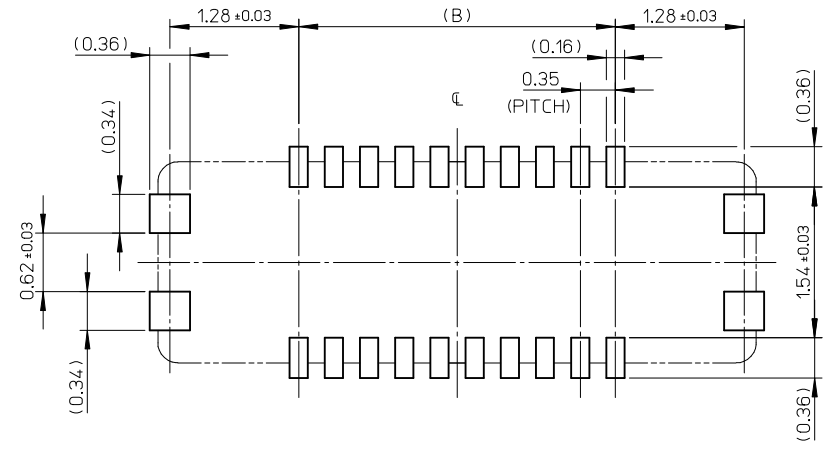
CONNECTOR SERIES No. : 505066-\*\*\*09

REVISED EC NO: J2016-1010 DRWN:MIT001 2016/03/30 CHKD:TASAKAWA 2016/03/30 APPR:KMORIKAWA 2016/03/31	GENERAL TOLERANCES (UNLESS SPECIFIED)		DIMENSION STYLE MM ONLY		SCALE 20:1	DESIGN UNITS METRIC	THIRD ANGLE PROJECTION
	0.25 UNDER	± 0.03	DRAWN BY	DATE	TITLE		
	0.25 OVER 0.5 UNDER	± 0.05	KSASAKI	2014/04/07	0.35 BB CONN. H=0.6 SSB6 RP REC. ASSY		
	0.5 OVER 1.0 UNDER	± 0.1	CHECKED BY	DATE	<b>molex</b> DOCUMENT NO. SD-505066-001 SHEET NO. 1 OF 2		
	1.0 OVER 30 UNDER	± 0.2	KTANAKA03	2014/04/07			
10 OVER 30 UNDER	± 0.25	APPROVED BY	DATE				
30 OVER	± 0.3	KMORIKAWA	2014/04/08				
ANGULAR	± 1 °	MATERIAL NO.		SEE CHART			
DRAFT WHERE APPLICABLE MUST REMAIN WITHIN DIMENSIONS			SIZE A3	THIS DRAWING CONTAINS INFORMATION THAT IS PROPRIETARY TO MOLEX ELECTRONIC TECHNOLOGIES, LLC AND SHOULD NOT BE USED WITHOUT WRITTEN PERMISSION			



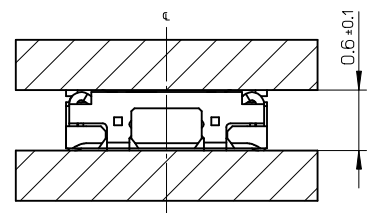
RECOMMENDED P.W.BOARD PATTERN LAYOUT (REFERENCE)

△ PROHIBITED AREA OF PATTERN WIRING AND SOLDER.  
 (FOR EACH AREA, THE WIRING THAT TOUCHES ON THE SOLDER  
 CAN BE ATTACHED, THEN COVERED WITH A FILM TO KEEP SOLDER OUT.)



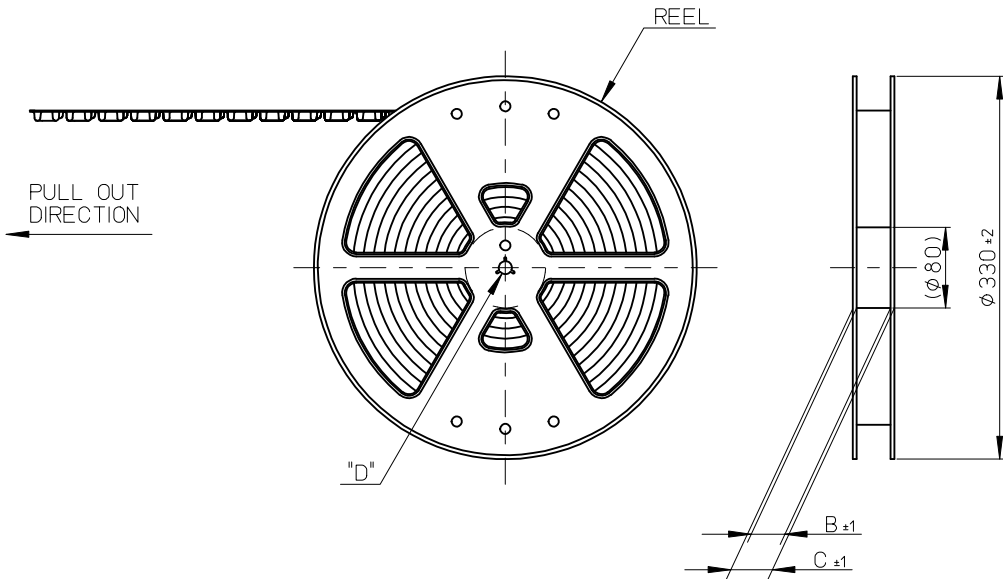
RECOMMENDED METAL MASK LAYOUT (REFERENCE)

RECOMMENDED THICKNESS OF METAL MASK : t=0.08mm  
 RECOMMENDED OPEN APERTURE RATIO OF METAL MASK : 80%



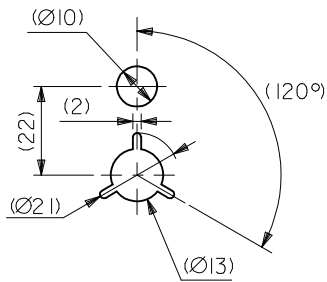
MATED CONDITION

REVISED	EC NO: J2016-1010	2016/03/30	GENERAL TOLERANCES (UNLESS SPECIFIED)		DIMENSION STYLE		SCALE	DESIGN UNITS	THIRD ANGLE PROJECTION
	DRWN:MIT001	2016/03/30	0.25 UNDER	± 0.03	MM ONLY		20:1	METRIC	
	CHKD:TASAKAWA	2016/03/30	0.25 OVER 0.5 UNDER	± 0.05	DRAWN BY DATE		TITLE		
	APPR:KMORIKAWA	2016/03/31	0.5 OVER 1.0 UNDER	± 0.1	CHECKED BY DATE		0.35 BB CONN. H=0.6		
			1.0 OVER 10 UNDER	± 0.2	KTANAKA03 2014/04/07		SSB6 RP		
		10 OVER 30 UNDER	± 0.25	APPROVED BY DATE		REC. ASSY			
		30 OVER	± 0.3	KMORIKAWA 2014/04/08		molex			
		ANGULAR	± 1 °	MATERIAL NO.		DOCUMENT NO.		SHEET NO.	
				SEE SHEET1		SD-505066-001		2 OF 2	
				DRAFT WHERE APPLICABLE MUST REMAIN WITHIN DIMENSIONS		THIS DRAWING CONTAINS INFORMATION THAT IS PROPRIETARY TO MOLEX ELECTRONIC TECHNOLOGIES, LLC AND SHOULD NOT BE USED WITHOUT WRITTEN PERMISSION			



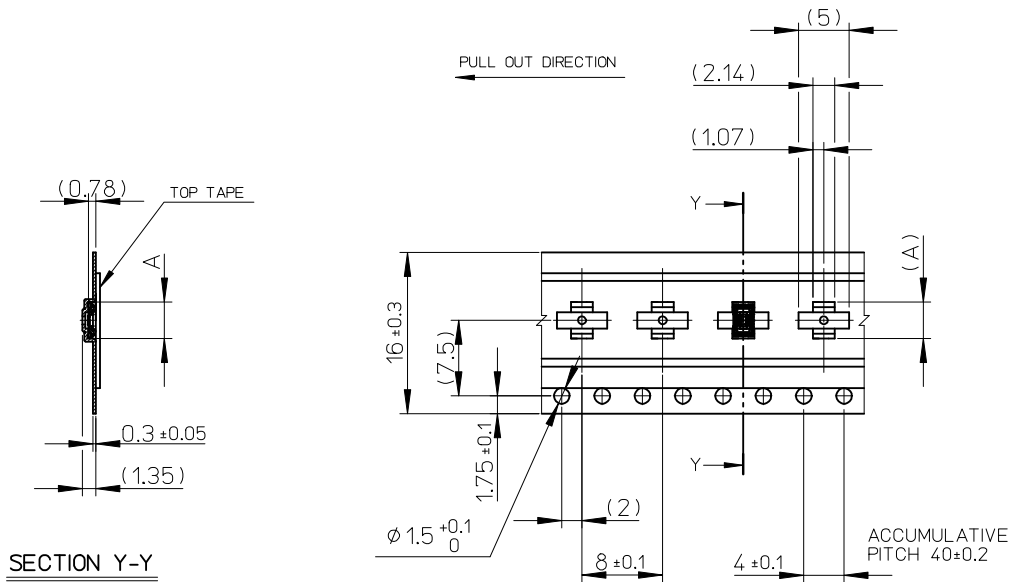
NOTES

1. RE DETAILED DIMENSION, SEE PRODUCT DRAWING.
2. NUMBER OF CONNECTORS : 3000PCS/REEL
3. LEAD TAPE LENGTH
4. TOP TAPE PEEL FORCE IS DEFINED BY IEC60286-3.
5. MATERIAL  
 CARRIER TAPE : POLYSTYRENE  
 TOP TAPE : PET , OTHER  
 REEL : POLYSTYRENE (PS) <RECYCLE MATERIAL CONTAINED>
6. ELV AND RoHS COMPLIANT



DETAIL "D"

REVISED EC NO: J2016-1010 DRWN:MITO01 2016/03/30 CHKD:TASAKAWA 2016/03/30 APPR:KMORIKAWA 2016/03/31	GENERAL TOLERANCES (UNLESS SPECIFIED)		DIMENSION STYLE		SCALE	MODEL NO.	505066-**10
	0.25 UNDER ±0.03		MM ONLY		1:5	DESIGN UNITS	METRIC
	0.25 OVER 0.5 UNDER ±0.05		DRAWN BY DATE		THIRD ANGLE PROJECTION		
	0.5 OVER 1.0 UNDER ±0.1		KSASAKI 2014/04/07		TITLE		
	1.0 OVER 10 UNDER ±0.2		CHECKED BY DATE		0.35 BB CONN. H=0.6		
10 OVER 30 UNDER ±0.25		KTANAKA03 2014/04/07		SSB6 RP REC. ASSY			
30 OVER ±0.3		APPROVED BY DATE		EMBSTP PKG			
ANGULAR ±1 °		KMORIKAWA 2014/04/08		molex			
DRAFT WHERE APPLICABLE MUST REMAIN WITHIN DIMENSIONS		MATERIAL NO.		DOCUMENT NO.		SHEET NO.	
		SEE CHART		SD-505066-002		1 OF 2	
		SIZE A3		THIS DRAWING CONTAINS INFORMATION THAT IS PROPRIETARY TO MOLEX ELECTRONIC TECHNOLOGIES, LLC AND SHOULD NOT BE USED WITHOUT WRITTEN PERMISSION			



SECTION Y-Y

16	21.4	17.4	4.67	505066-1210	0	---	12
			3.62	505066-0610	0	---	6
キャリアテープ幅 CARRIER TAPE WIDTH	C	B	(A)	MATERIAL No.	HIGH VOL. TOOL	LOW VOL. TOOL	CIRCUIT
					SAMPLE PREPARATION		

REVISED EC NO: J2016-1010 DRWN:MITO01 2016/03/30 CHKD:TASAKAWA 2016/03/30 APPR:KMORIKAWA 2016/03/31	GENERAL TOLERANCES (UNLESS SPECIFIED)		DIMENSION STYLE		SCALE	DESIGN UNITS	THIRD ANGLE PROJECTION	
			MM ONLY		2:1	METRIC		
	0.25 UNDER	± 0.03	DRAWN BY	DATE	TITLE			
	0.25 OVER 0.5 UNDER	± 0.05	KSASAKI	2014/04/07	0.35 BB CONN. H=0.6 SSB6 RP REC. ASSY EMBSTP PKG			
0.5 OVER 1.0 UNDER	± 0.1	CHECKED BY	DATE	<b>molex</b> DOCUMENT NO. SD-505066-002 SHEET NO. 2 OF 2				
1.0 OVER 10 UNDER	± 0.2	KTANAKA03	2014/04/07					
10 OVER 30 UNDER	± 0.25	APPROVED BY	DATE					
30 OVER	± 0.3	KMORIKAWA	2014/04/08					
ANGULAR ±1 °		MATERIAL NO.						
DRAFT WHERE APPLICABLE MUST REMAIN WITHIN DIMENSIONS			SIZE	THIS DRAWING CONTAINS INFORMATION THAT IS PROPRIETARY TO MOLEX ELECTRONIC TECHNOLOGIES, LLC AND SHOULD NOT BE USED WITHOUT WRITTEN PERMISSION				
			A3					