

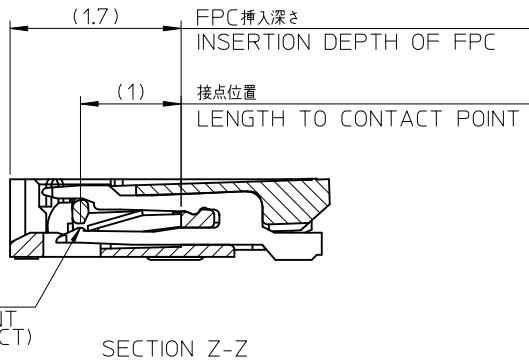
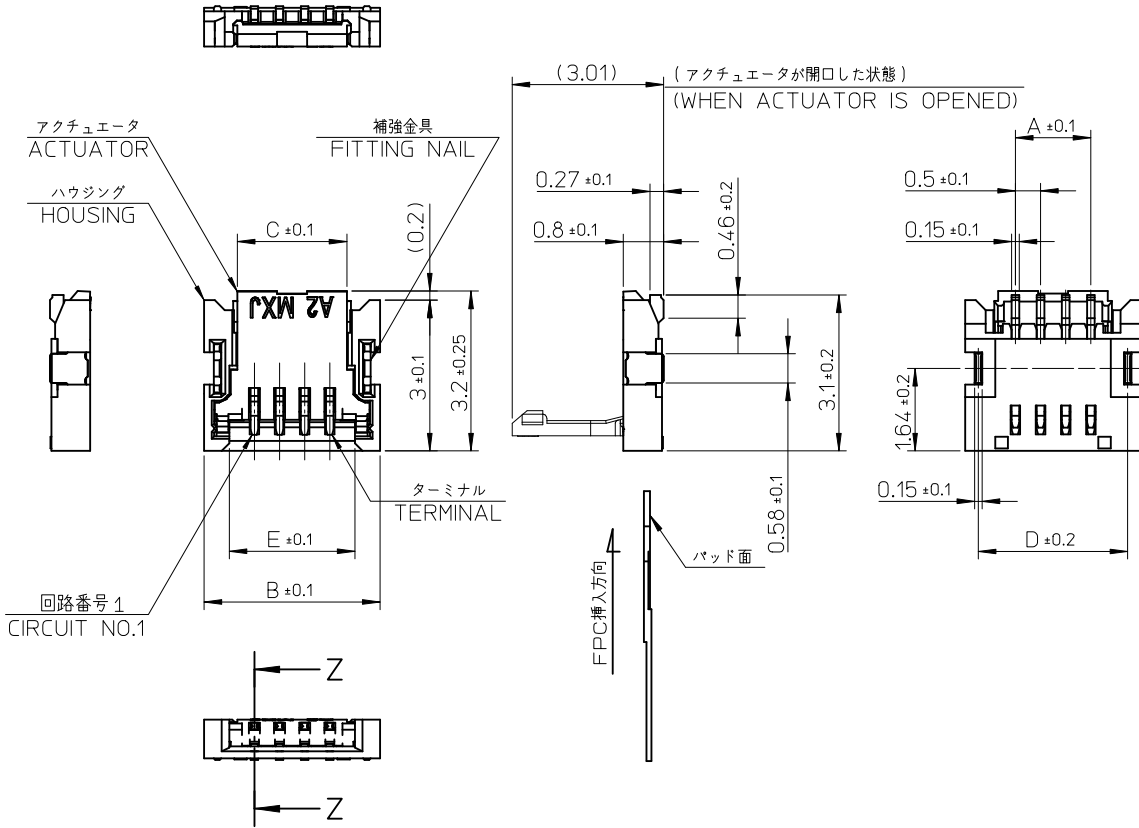
注記
NOTES:

- 1.材質
MATERIAL
ハウジング:耐熱性樹脂、ガラス充填、UL94HB、難燃剤非使用
HOUSING:HEAT RESISTANCE POLYMER, GLASS FILLED, UL94HB
FLAME RETARDANTS FREE
アクチュエーター:耐熱性樹脂、ガラス充填、UL94HB、難燃剤非使用
ACTUATOR:HEAT RESISTANCE POLYMER, GLASS FILLED, UL94HB
FLAME RETARDANTS FREE

- ターミナル:銅合金 (t=0.15)
TERMINAL: COPPER ALLOY (t=0.15)
補強金具:銅合金 (t=0.15)
NAIL: COPPER ALLOY (t=0.15)

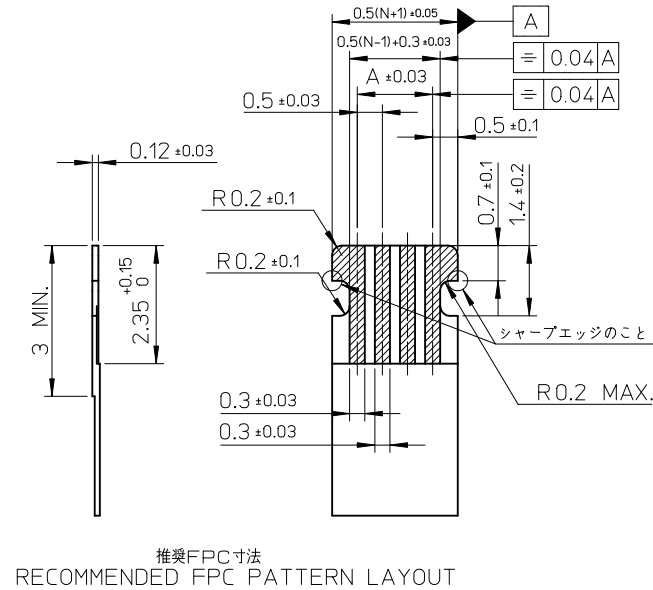
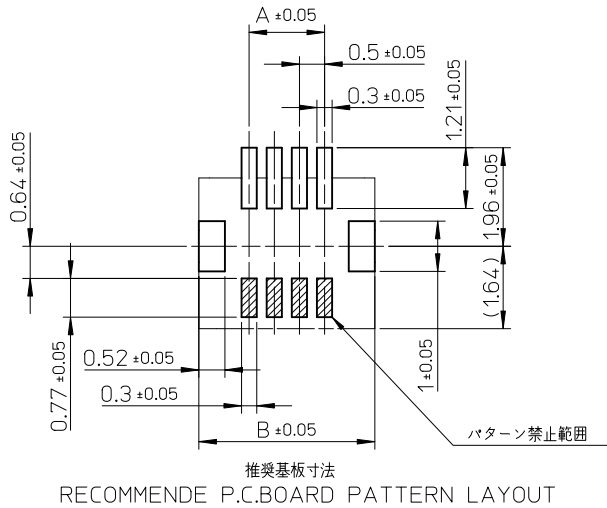
- 2.めっき仕様
PLATING
ターミナル: 接点部 金メッキ 0.1マイクロメートル以上
半田付け部 金メッキ
TERMINAL: CONTACT AREA GOLD PLATING
0.1 MICROMETER MINIMUM,
SOLDER TAIL AREA GOLD PLATING
下地 ニッケルメッキ 1.0マイクロメートル以上
UNDER PLATING; NICKEL PLATING 1.0 MICROMETER MINIMUM.
補強金具: 錫メッキ 1.0マイクロメートル以上
NAIL: TIN PLATING 1.0 MICROMETER MINIMUM.
下地 ニッケルメッキ 1.0マイクロメートル以上
UNDER PLATING; NICKEL PLATING 1.0 MICROMETER MINIMUM.

- 3.平坦度は、0.1mm以下とする。
TAILS AND NAILS COPLANARITY TO BE 0.1mm MAXIMUM.
4.ELV AND RoHS COMPLIANT.
5.使用方法については製品仕様書 (PS-501461-003) を参照願います。
REFER TO INSTRUCTION UPON USAGE OF PRODUCT SPECIFICATION (PS-501461-003) FOR USE.



3.5	3.97	3.18	4.5	2.5	501461-0611	6
3	3.47	2.68	4	2	501461-0511	5
E	D	C	B	A	EMBOSSED PACKAGE	極数(N) CIRCUITS(N)
ORDER No. オーダー番号						
CONNECTOR SERIES No. 501461-**19						

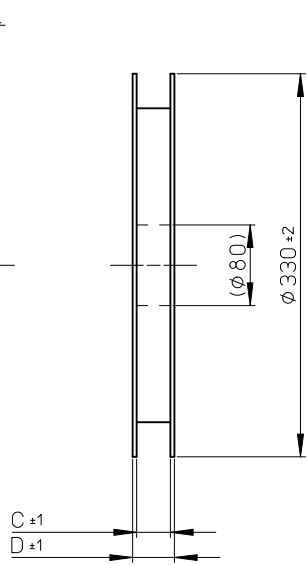
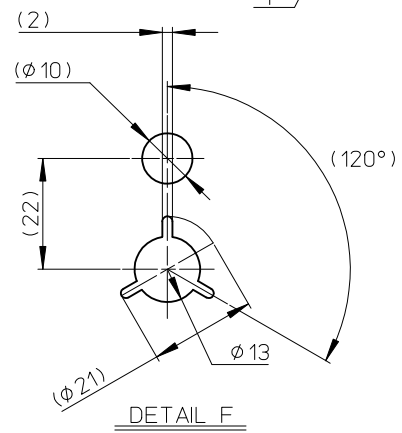
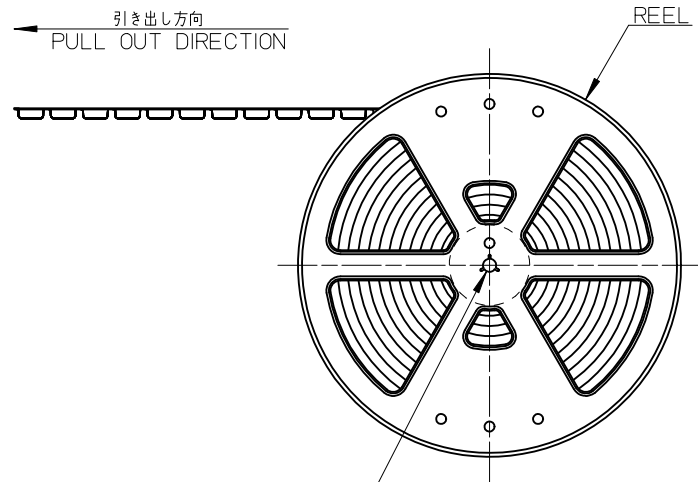
REVISED EC NO: J2011-0042 DRWN: YKOBAYASHI 02/20/10/06/10 CHKD: NMATSUURA 20/10/07/09 APPR: KMORIKAWA 20/10/07/09	GENERAL TOLERANCES (UNLESS SPECIFIED)		DIMENSION STYLE MM ONLY		SCALE 10:1	DESIGN UNITS METRIC	THIRD ANGLE PROJECTION	
	10 UNDER	±0.2	DRAWN BY E. SATO	DATE 2009/03/24	TITLE 0.5 FPC CONN BACK FLIP HGT=0.8 HSG ASSY			
	10 OVER 30 UNDER	±0.25	CHECKED BY H. MATSUMOTO	DATE 2009/03/24	MOLEX INCORPORATED			
	30 OVER	±0.3	APPROVED BY N. UKITA	DATE 2009/03/24	DOCUMENT NO. SD-501461-005			
ANGULAR	±1°	DRAFT WHERE APPLICABLE MUST REMAIN WITHIN DIMENSIONS		SEE TABLE		SHEET NO. 1 OF 2		
A	REV	SIZE A3	THIS DRAWING CONTAINS INFORMATION THAT IS PROPRIETARY TO MOLEX INCORPORATED AND SHOULD NOT BE USED WITHOUT WRITTEN PERMISSION					



FPCについて：
 抜き方向は、導体側から補強板側を推奨します。
 補強フィルム材質は、ポリイミドを推奨します。
 接着剤は、熱硬化接着剤を推奨します。
 尚、接着剤の接点部への付着は、導通不良の原因となりますので染み出しが無いよう、お願いします。

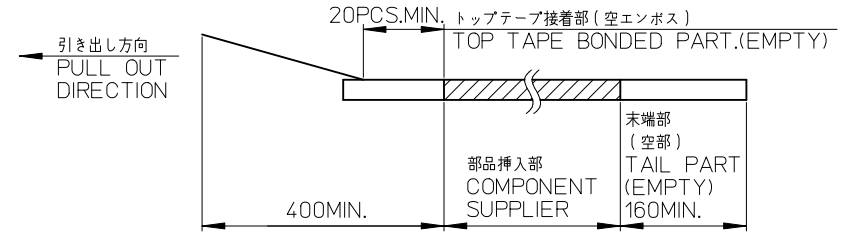
ABOUT FPC :
 RECOMMENDED PUNCHER DIRECTION :
 FROM CONDUCTOR SIDE TO STIFFNER FILME SIDE.
 RECOMMENDED MATERIAL :
 STIFFNER FILME : POLYIMIDE
 BONDING AGENT : THRMOSSETTING AGENT
 PLEASE PUT APPROPRIATE AMOUNT OF ASHESIVE MAY CAUSE
 THE DEFECT IN ELECTRICAL CONTINUITY.

SEE SHEET 1 OF 2 EC NO: J2011-0042 DRWN: YKOBAYASHI 02/20/10/06/10 CHKD: NIMATSUURA 20/10/07/09 APPR: KMORIKAWA 20/10/07/09	GENERAL TOLERANCES (UNLESS SPECIFIED)		DIMENSION STYLE MM ONLY		SCALE 10:1	DESIGN UNITS METRIC	THIRD ANGLE PROJECTION
	10 UNDER	± 0.2	DRAWN BY E. SATO	DATE 2009/03/24	TITLE 0.5 FPC CONN BACK FLIP HGT=0.8 HSG ASSY		
	10 OVER 30 UNDER	± 0.25	CHECKED BY H. MATSUMOTO	DATE 2009/03/24	MOLEX INCORPORATED		
	30 OVER	± 0.3	APPROVED BY N. UKITA	DATE 2009/03/24	DOCUMENT NO. SD-501461-005	SHEET NO. 2 OF 2	
A	REVISION	ANGULAR ± 1° DRAFT WHERE APPLICABLE MUST REMAIN WITHIN DIMENSIONS	SIZE A3	THIS DRAWING CONTAINS INFORMATION THAT IS PROPRIETARY TO MOLEX INCORPORATED AND SHOULD NOT BE USED WITHOUT WRITTEN PERMISSION			



NOTES

- 製品詳細寸法については製品単体図面を参照下さい。
RE DETAILED DIMENSION, SEE PRODUCT DRAWING.
- 梱包数量: 3000個/リール
NUMBER OF CONNECTORS 3000PCS/REEL
- リードテープ長さ
LEAD TAPE LENGTH

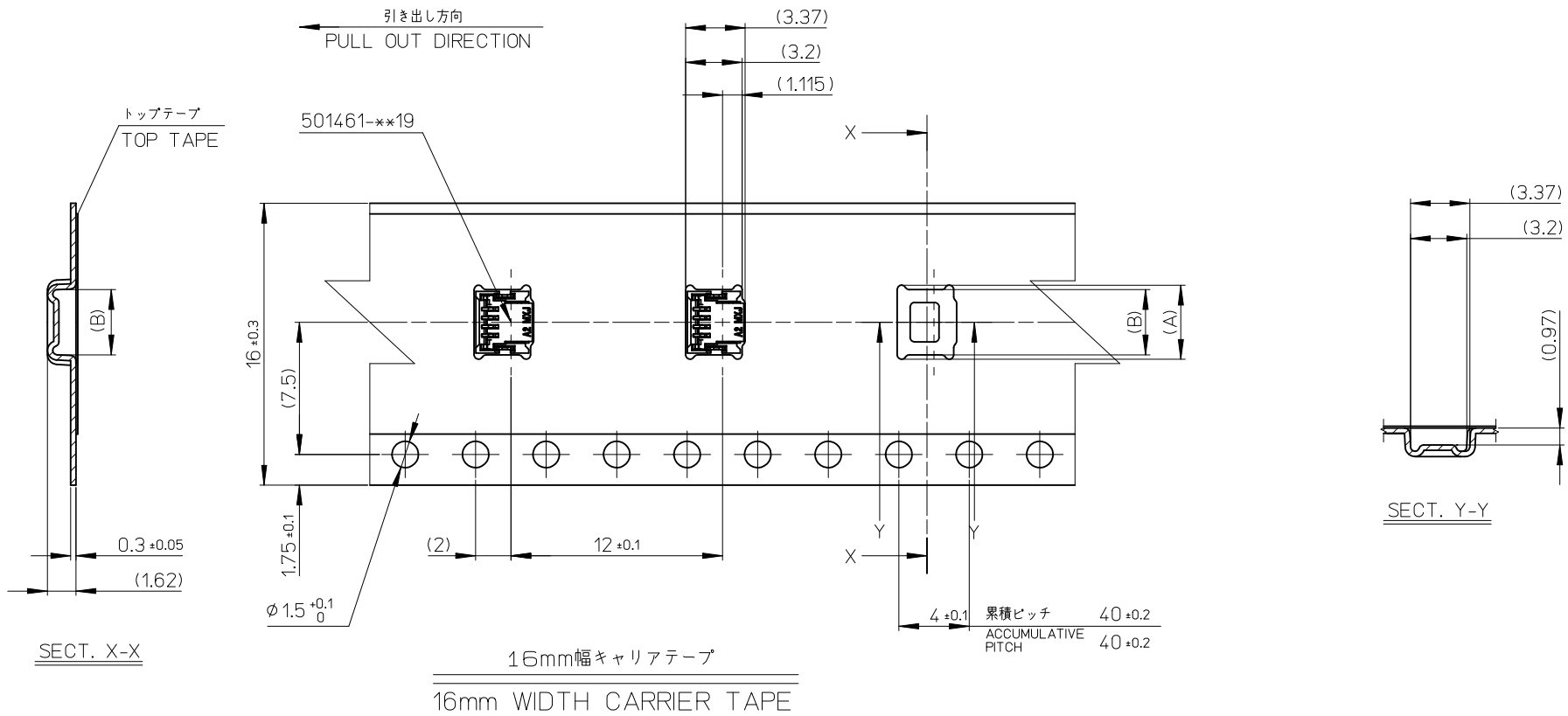


- ELV及びRoHS適合品。
ELV AND RoHS COMPLIANT.

- 材料
MATERIAL
キャリアテープ(CARRIER TAPE): ポリスチレン (POLYSTYRENE)
トップテープ(TOP TAPE): PET, PE, PEF
リール(REEL): ポリスチレン (PS) <リサイクル材を含む>
POLYSTYRENE(PS) <RECYCLE MATERIAL CONTAINED>

REVISED EC NO: J2011-0042 DRWN: YKOBAYASHI 2010/07/09 CHKD: MATSUURA 2010/07/09 APPR: KMORIKAWA 2010/07/09	DESCRIPTION REV	GENERAL TOLERANCES (UNLESS SPECIFIED)		DIMENSION STYLE MM ONLY		SCALE	DESIGN UNITS	MODEL NO.
		10 UNDER ±0.2		DRAWN BY DATE E. SATO 2009/03/24		TITLE	METRIC	501461-**11
		10 OVER 30 UNDER ±0.25		CHECKED BY DATE H. MATSUMOTO 2009/03/24		0.5 FPC CONN BACK FLIP H=0.8 EMBSTP PKG	THIRD ANGLE PROJECTION	
		30 OVER ±0.3		APPROVED BY DATE N. UKITA 2009/03/24		MOLEX INCORPORATED		
ANGULAR ±1 °		DRAFT WHERE APPLICABLE MUST REMAIN WITHIN DIMENSIONS		MATERIAL NO. SEE SHEET 2	DOCUMENT NO. SD-501461-006	SHEET NO. 1 OF 2		
				SIZE A3		THIS DRAWING CONTAINS INFORMATION THAT IS PROPRIETARY TO MOLEX INCORPORATED AND SHOULD NOT BE USED WITHOUT WRITTEN PERMISSION		

10 9 8 7 6 5 4 3 2 1



16	21.4	17.4	4.7	5.2	501461-0611	6
16	21.4	17.4	4.2	4.7	501461-0511	5
キャリアテープ幅 CARRIER TAPE WIDTH	D	C	(B)	(A)	MATERIAL NO.	極数 CIRCUITS

SEE SHEET 1 OF 2 EC NO: J2011-0042 DRWN: YKOBAYASHI 02 2010/07/09 CHKD: MATSUURA 2010/07/09 APPR: KMORIKAWA 2010/07/09	GENERAL TOLERANCES (UNLESS SPECIFIED)		DIMENSION STYLE MM ONLY		SCALE	DESIGN UNITS METRIC	MODEL NO.
	10 UNDER	±0.2	DRAWN BY E. SATO	DATE 2009/03/24	TITLE 0.5 FPC CONN BACK FLIP H=0.8 EMBSTP PKG		
	10 OVER 30 UNDER	±0.25	CHECKED BY H. MATSUMOTO	DATE 2009/03/24	MATERIAL NO. 501461-**11		
	30 OVER	±0.3	APPROVED BY N. UKITA	DATE 2009/03/24	SHEET NO. 2 OF 2		
	ANGULAR ±1 °	DRAFT WHERE APPLICABLE MUST REMAIN WITHIN DIMENSIONS		SEE TABLE		MOLEX INCORPORATED SD-501461-006	
A	REV	THIS DRAWING CONTAINS INFORMATION THAT IS PROPRIETARY TO MOLEX INCORPORATED AND SHOULD NOT BE USED WITHOUT WRITTEN PERMISSION					