

PRODUCT CHANGE NOTIFICATION

#PCN-ICC-B36E-16

Business Unit	Product Line Code	Type of Change	Action	Date of issue
ICC	BE1	Mechanical	Notify Distributors and Field	2/26/2016

The following Phoenix Contact products have been modified. Existing specifications will be met or exceeded. Please review and acknowledge this document and inform your personnel as needed.

Description of Change:

The housing has been modified due to the manufacturing process. New injection molding tools will be implemented into the process. The marking area will be slightly changed and a date clock will be stamped on the housing for improved traceability.

Warranty Information:

Stock Status

Can existing stock still be used? Y

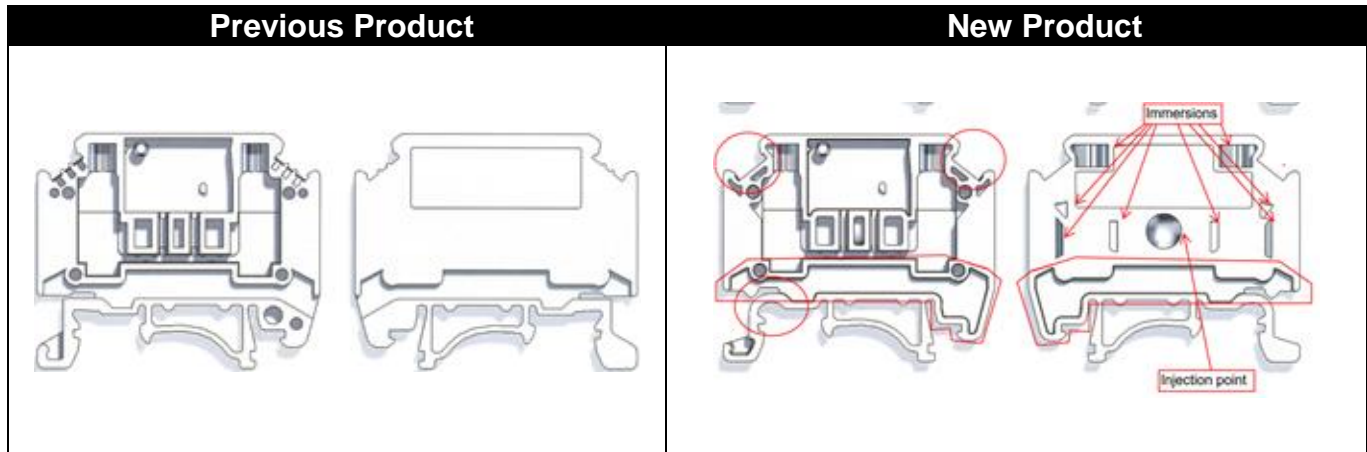
Is mixture of stock acceptable? Y

Transaction Dates:

Date modification goes into effect from Germany: 7/1/2016

Expected first shipment (from Phoenix Contact) of the modified product(s): 8/1/2016

PRODUCT CHANGE NOTIFICATION



Should you have any issues with the timeline or content of this change, please contact Phoenix Contact using the contact information below. Customers should acknowledge receipt of the PCN within 30 days of delivery of the PCN; provided, however that the failure to acknowledge receipt does not affect the product change or the effective date thereof.

Contact Info:

Alan Sappe'
Senior Product Marketing Specialist
(717)944-1300x3386
asappe@phoenixcon.com

Thank you,

Alan P. Sappe'

Alan Sappe', Senior Marketing Specialist

PRODUCT CHANGE NOTIFICATION

Part#	Type Description
3100017	MTKD
3100020	MTKD-P/P
3100046	MTKD-FE/CUNI
3100047	MTKD-FE/CUNI EX
3100059	MTKD-CU/CUNI
3100060	MTKD-CU/CUNI EX
3100062	MTKD-NICR/NI
3100063	MTKD-NICR/NI EX
3100075	MTKD-NICR/CUNI
3100076	MTKD-NICR/CUNI EX
3100091	MTKD-E-CU/A-CU
3100092	MTKD-E-CU/A-CU EX
3100101	MTKD-S-CU/E-CU
3100102	MTKD-S-CU/E-CU EX
3100103	MTKD-NICRSI/NISI EX