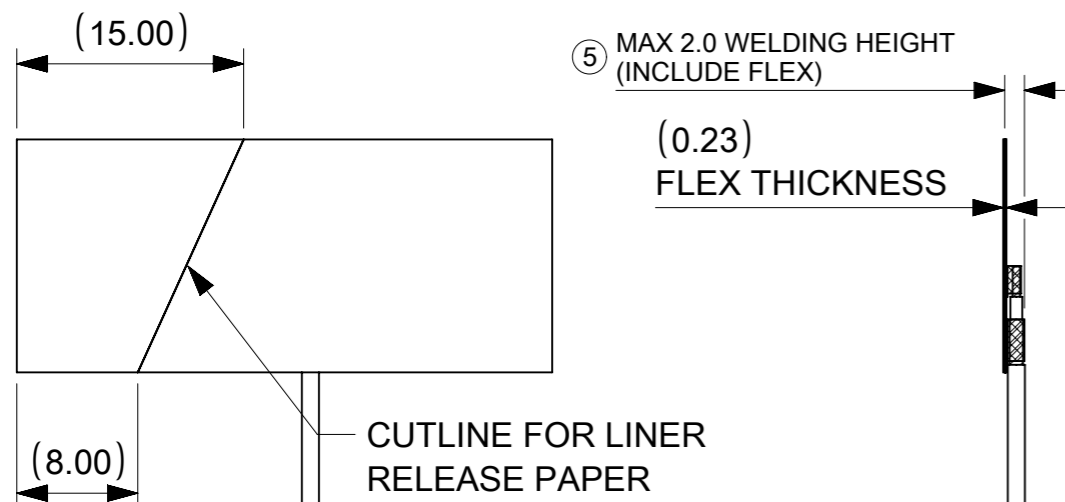
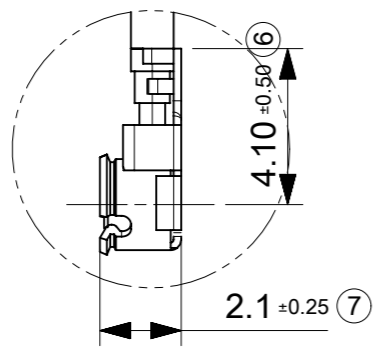
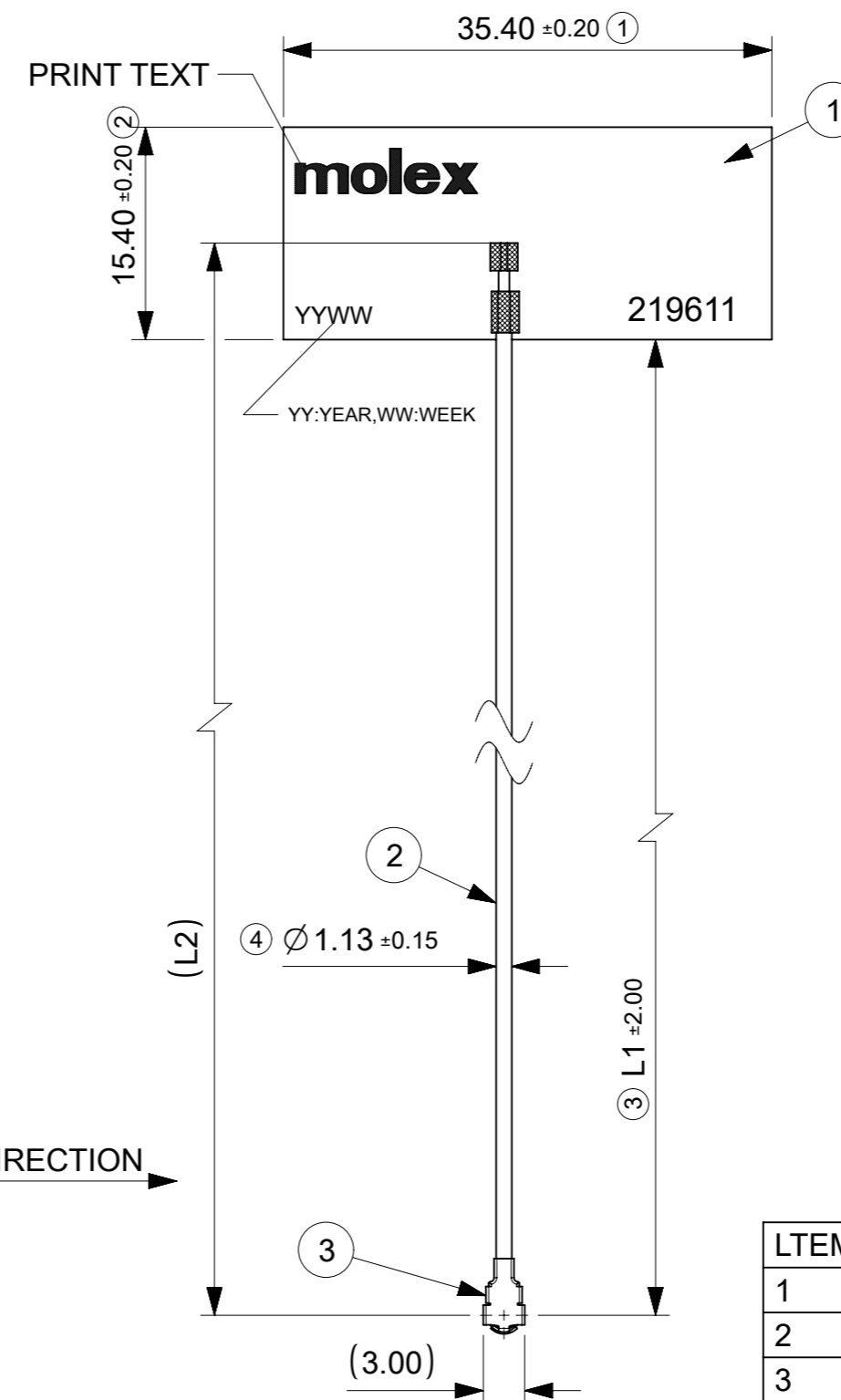


REV	DATE	DESCRIPTION
A	2021/12/15	FIRST RELEASE
A1	2022/08/02	UPDATE NOTES



⑤ MAX 2.0 WELDING HEIGHT (INCLUDE FLEX)
 (0.23) FLEX THICKNESS



VERTICAL DIRECTION
SEE NOTE 2

LTEM	DESCRIPTION
1	FPC
2	CABLE
3	CONNECTOR

LTEM	MATERIAL P/N	"L1"LENGTH	"L2"LENGTH
1	2196110050	43	50
2	2196110100	93	100
3	2196110150	143	150
4	2196110200	193	200
5	2196110250	243	250
6	2196110300	293	300

- NOTES:
- MATERIAL:
 CONNECTOR:RF 2.5H MHF-1 CONNECTOR(GOLD PLATED).
 FLEX SOLDER MASK:BLACK.
 CABLE COLOR:BLACK.
 ADHESIVE:3M9077(T:50UM)
 - FOR PULL TEST, CAN NOT LIFT UP IN THE VERTICAL DIRECTION.
 - THE CONNECTOR WILL BE PROTECTED WITH A CAP.

THIS DRAWING CONTAINS INFORMATION THAT IS PROPRIETARY TO MOLEX ELECTRONIC TECHNOLOGIES, LLC AND SHOULD NOT BE USED WITHOUT WRITTEN PERMISSION

DIMENSION UNITS: mm	SCALE: 1:1	CURRENT REV DESC:		molex			
GENERAL TOLERANCES (UNLESS SPECIFIED)		EC NO: 716377					
ANGULAR TOL ± 2.0 °	4 PLACES ±	DRWN: KCHENG06	2022/08/02	PRODUCT CUSTOMER DRAWING			
3 PLACES ± 0.2	3 PLACES ± 0.2	CHK'D: HORACM1	2022/08/03				
2 PLACES ± 0.25	2 PLACES ± 0.25	APPR: HORACM1	2022/08/03	DOCUMENT NUMBER: 2196110100			
1 PLACE ± 0.3	1 PLACE ± 0.3	INITIAL REVISION:					
0 PLACES ± 0.5	0 PLACES ± 0.5	DRWN: KCHENG06	2021/12/15	MATERIAL NUMBER: SEE TABLE			
DRAFT WHERE APPLICABLE MUST REMAIN WITHIN DIMENSIONS		APPR: HORACM1	2021/12/27				