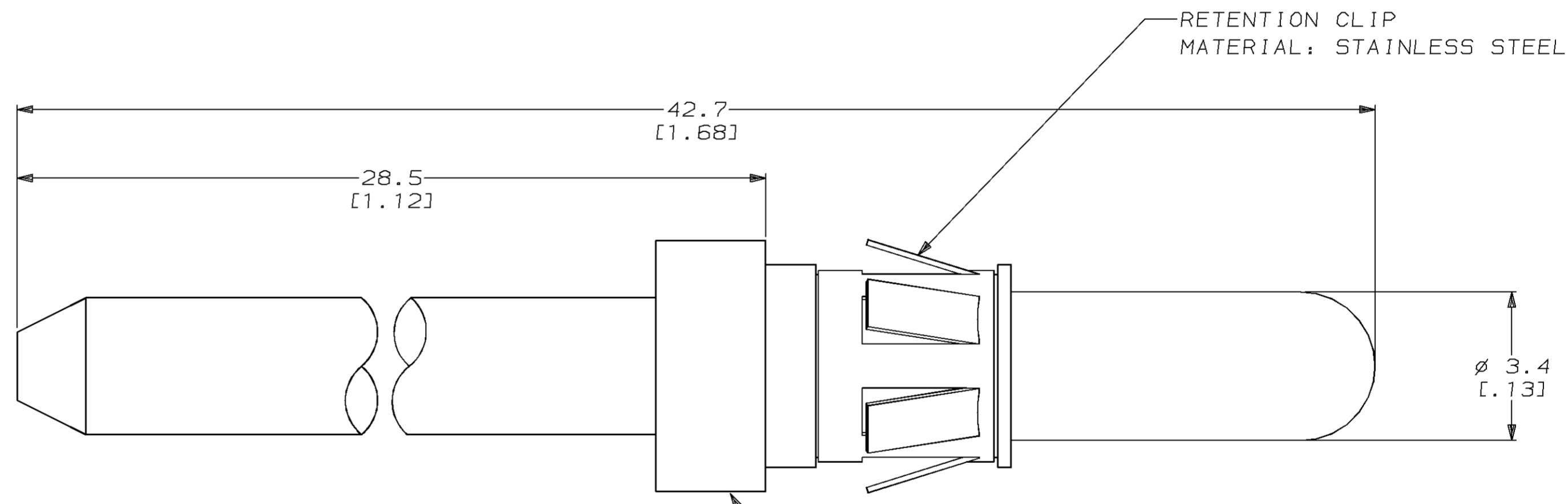
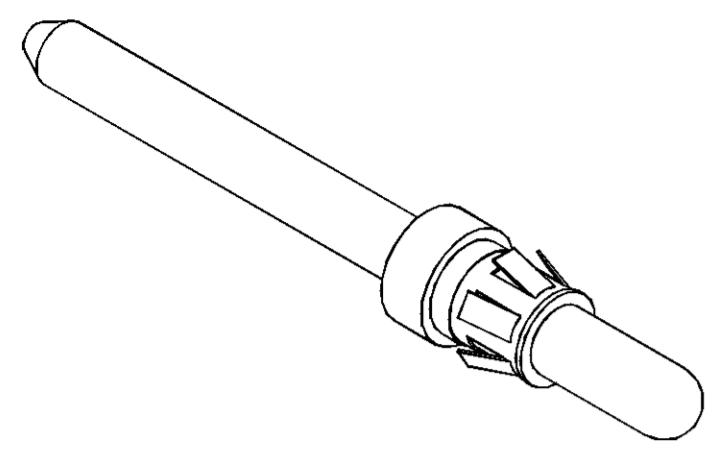


LOC	DIST	P	F	ZONE	LTR	REVISIONS	DATE	APPD
CH	11				0			
						DESCRIPTION		

1. MATES WITH AMP P/N 193813-1.



Ø5.46 [0.215]
 Ø3.18 [0.125]

PIN BODY
 MATERIAL: COPPER ALLOY
 FINISH: 1.27µM [0.000050] GOLD
 OVER 1.27µM [0.000050] NICKEL

193814-1
 PART NO

DO NOT SCALE PRINT. UNLESS SPECIFIED DIMENSIONS IN mm [INCHES] TOLERANCES ON : 2 PLC DEC #0.5[.02] 3 PLC DEC #.25[.010] ANGLES ± -	DR 07-07-93 D.BABOW	AMP Incorporated Harrisburg, PA 17105-3608			
	CHK 11-30-93 JMT				NAME
	APPD 11-30-93 SRS	PIN ASSY, SOLDER TAIL			
	APPD 11-30-93 PRG	PRODUCT SPEC	SIZE	CAGE CODE	DRAWING NO
FINISH	APPLICATION SPEC	SCALE	NONE	00779	G=193814
	WEIGHT				SHEET 1 OF 1

THIS DRAWING IS A CONTROLLED DOCUMENT FOR AMP INCORPORATED. IT IS SUBJECT TO CHANGE AND THE CONTROLLING ENGINEERING ORGANIZATION SHOULD BE CONTACTED FOR THE LATEST REVISION.