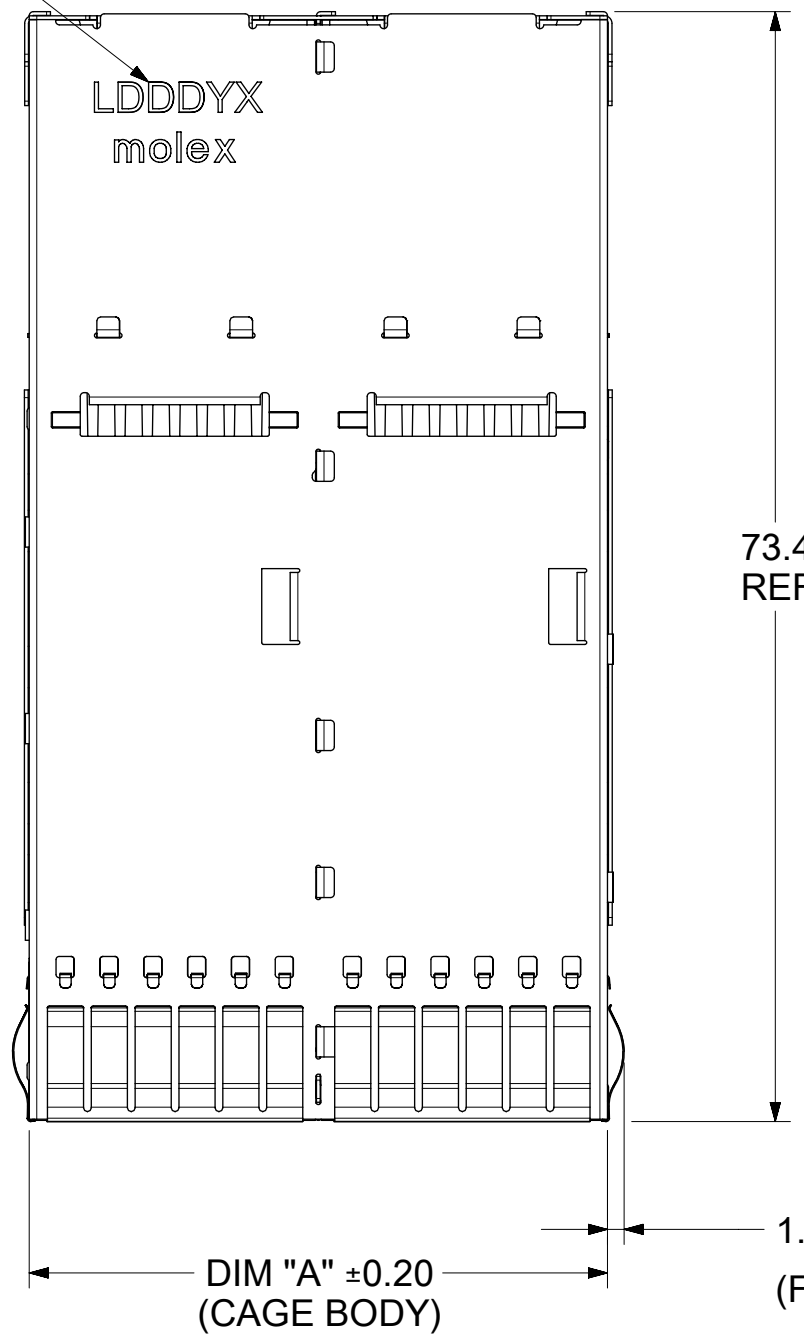
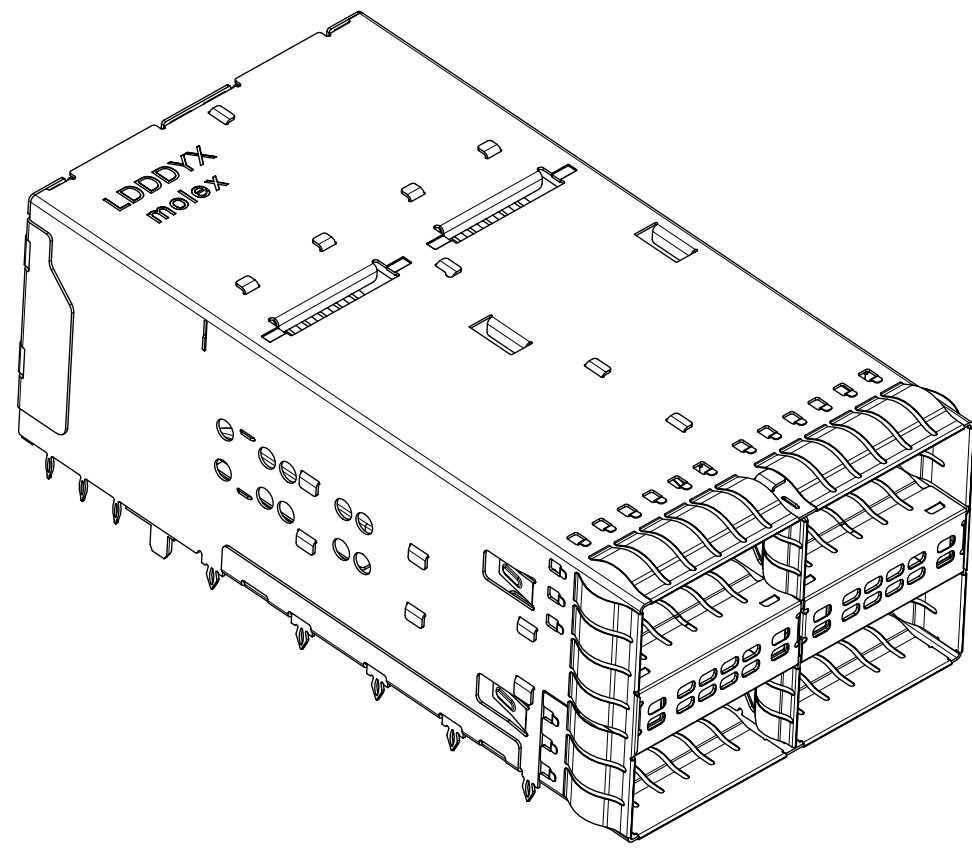


1717222001 SHOWN

DATE CODE,  
FOR ALL VIEW.



73.4  
REF

NOTES:

1. MATERIAL:

- CAGE: COPPER ALLOY, 0.25 THICK
- EMI STRAPS: COPPER ALLOY, 0.10 THICK
- LIGHT PIPES: POLYCARBONATE (PER TELCORDIA-GR-63-CORE-ISSUE3, SECTION 4.2.3.1; R4-43, DISCRETE STRUCTURAL COMPONENTS CONSTITUTING A FUEL LOAD OF 1 GRAM OR LESS ARE EXEMPT FROM THE REQUIREMENTS OF R4-43 (91); UL 94V-0 RATING)
- INSULATION SHEET: POLYIMIDE FILM TAPE, THICKNESS 0.05±0.01MM.
- COLOR : AMBER OR EQUIVALENT.
- CONNECTOR HOUSING: HIGH PERFORMANCE THERMOPLASTIC, 94V-0
- TERMINALS: HIGH PERFORMANCE COPPER ALLOY, 0.18 THICK

2. FINISH:

- SPRING FINGERS: 0.5µm MIN. NICKEL OVERALL
- TERMINALS: CONTACT AREA: 0.76µm MIN GOLD OVER 0.5µm MIN NICKEL.
- COMPLIANT AREA: 0.76-1.52µm MATTE TIN OVER 1.3µm MIN NICKEL.

3. ALL SURFACES TO BE CLASS 'C' OR BETTER PER MOLEX COSMETIC SPECIFICATION PS-45499-002.

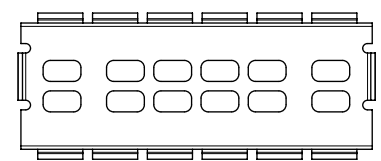
4. REFER TO PK-76871-9001 FOR ALL PACKAGING SPECIFICATIONS.

5. CONNECTOR INTENDED TO MATE WITH PLUG CABLE SERIES 74757 AND 74758.

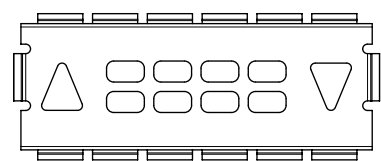
6. DATE CODE LOCATION SHOWN, DATE CODE FORMAT: LDDDYX

- L: MOLEX INTERNAL CONTROL
- DDD: DAY OF THE YEAR
- Y: LAST DIGIT OF YEAR
- X: MOLEX INTERNAL CONTROL

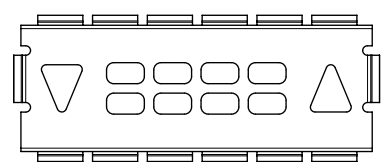
FRONT PLATE OPTIONS



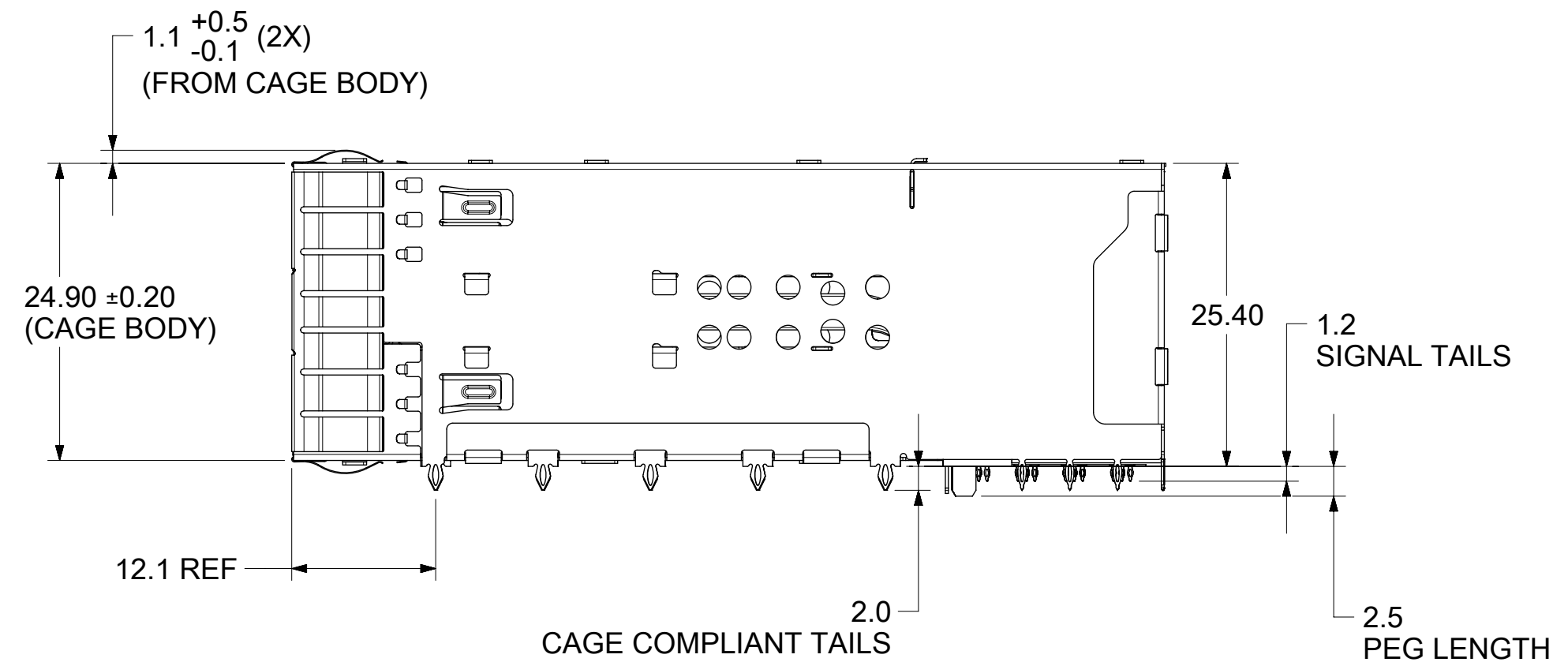
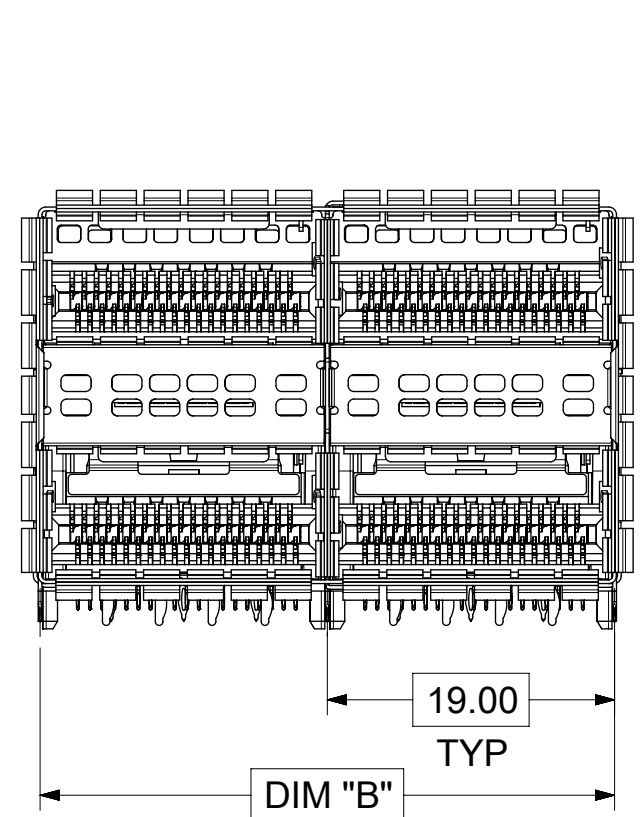
P/N 171722-\*001/171722-1004  
AIRFLOW ONLY  
NO LIGHTPIPE



P/N 171722-\*002/171722-1005  
UP/DOWN LIGHTPIPE INDICATOR



P/N 171722-\*003  
DOWN/UP LIGHTPIPE INDICATOR

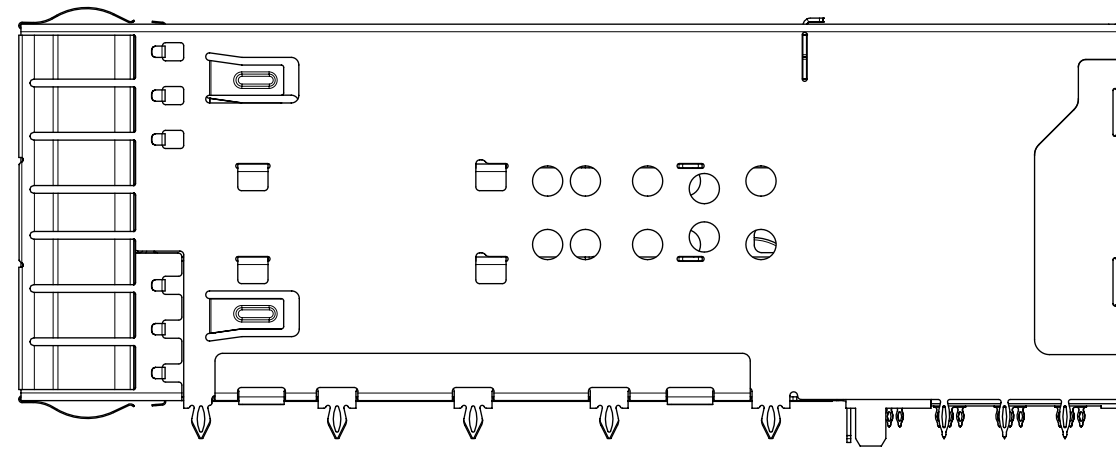
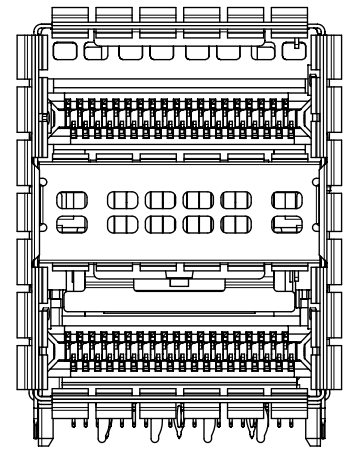


PORT SIZE	PART NUMBER	INSULATION SHEET	DIM 'A'	DIM 'B'
2X1	171722-1001/2/3	NO	19.25	19.00
2X1	171722-1004/1005	YES	19.25	19.00
2X2	171722-2001/2/3	NO	38.25	38.00
2X3	171722-3001/2/3	NO	57.25	57.00

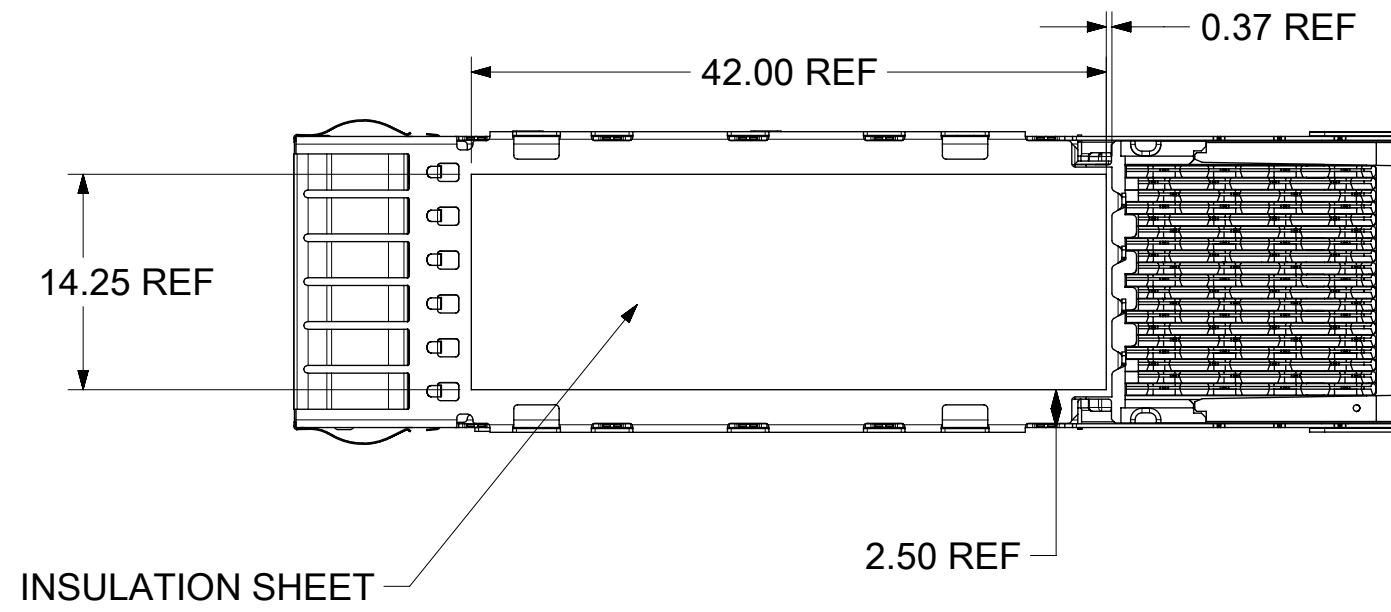
\* - DESIGNATES FRONT PLATE OPTIONS

FUNCTIONAL SYMBOLS	THIS DRAWING CONTAINS INFORMATION THAT IS PROPRIETARY TO MOLEX ELECTRONIC TECHNOLOGIES, LLC AND SHOULD NOT BE USED WITHOUT WRITTEN PERMISSION		
	DIMENSION UNITS	SCALE	CURRENT REV DESC: SEE REVISION TABLE.
$\nabla_A = 0$	mm	2:1	<p><b>molex</b></p> <p>ZQSFP+ STACKED CONNECTOR WITH EMI SPRING FINGER</p> <p>PRODUCT CUSTOMER DRAWING</p>
$\nabla_E = 0$	GENERAL TOLERANCES (UNLESS SPECIFIED)		
$\nabla_P = 0$	ANGULAR TOL ± 0.5°		
DIVISIONAL SYMBOLS	EC NO: 721228		
4 PLACES ±	DRWN: DSHETTY01 2022/05/13		
3 PLACES ±	CHK'D: WAYNEL 2022/09/14		
2 PLACES ± 0.13	APPR: SYANG16 2022/09/15		
1 PLACE ± 0.25	INITIAL REVISION:		
0 PLACES ±	DRWN: JLIN47 2021/09/24		
DRAFT WHERE APPLICABLE MUST REMAIN WITHIN DIMENSIONS	THIRD ANGLE PROJECTION	DRAWING	DOCUMENT NUMBER
		C-SIZE	1717222000
		SERIES	DOC TYPE
		171722	PSD
			ASY
			B6
			REVISION
			1 OF 5
			SHEET NUMBER
			1
			CUSTOMER
			GENERAL MARKET
			MATERIAL NUMBER
			SEE P/N TABLE

1717221004 SHOWN



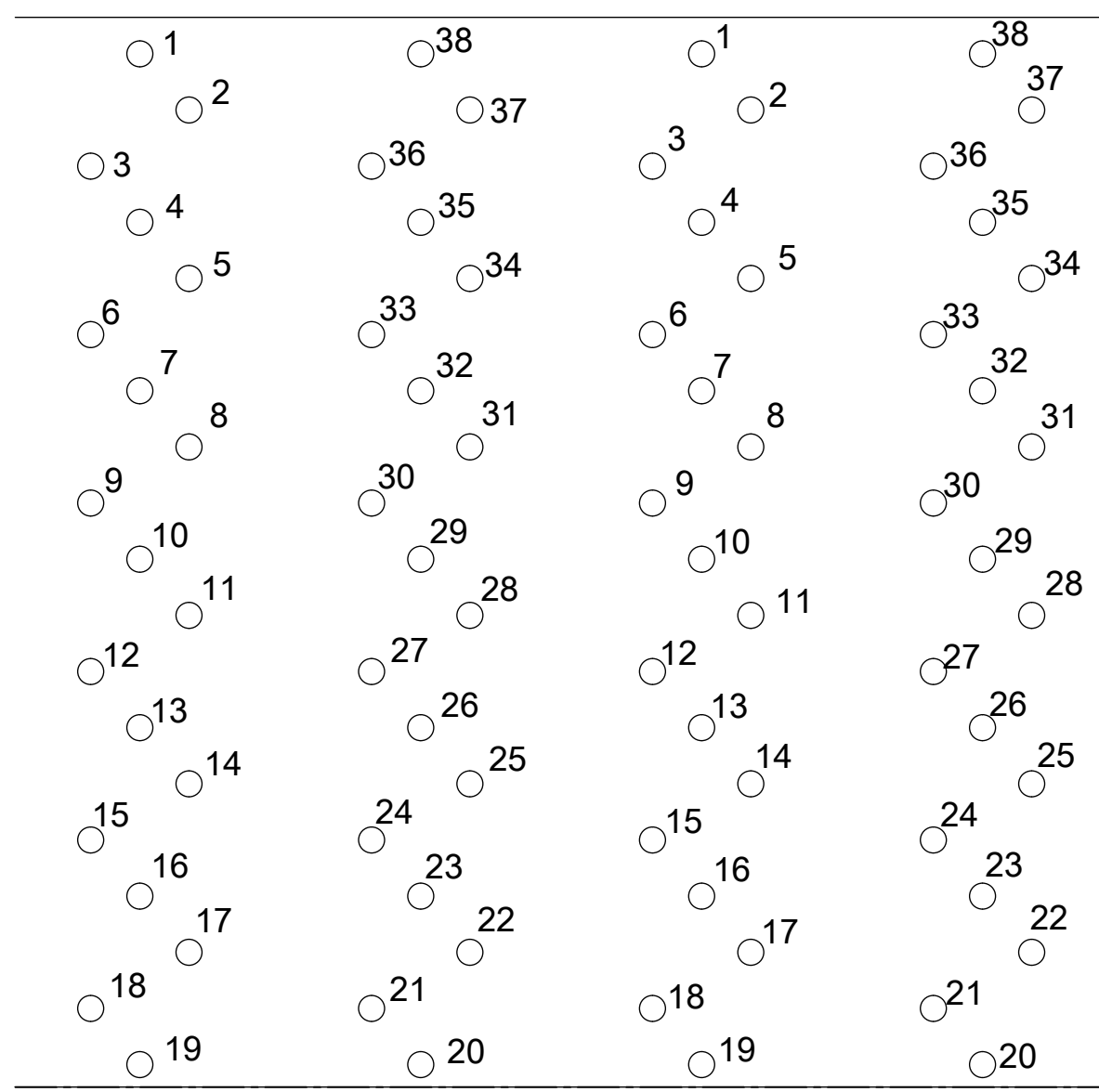
LOCATION OF INSULATION SHEET



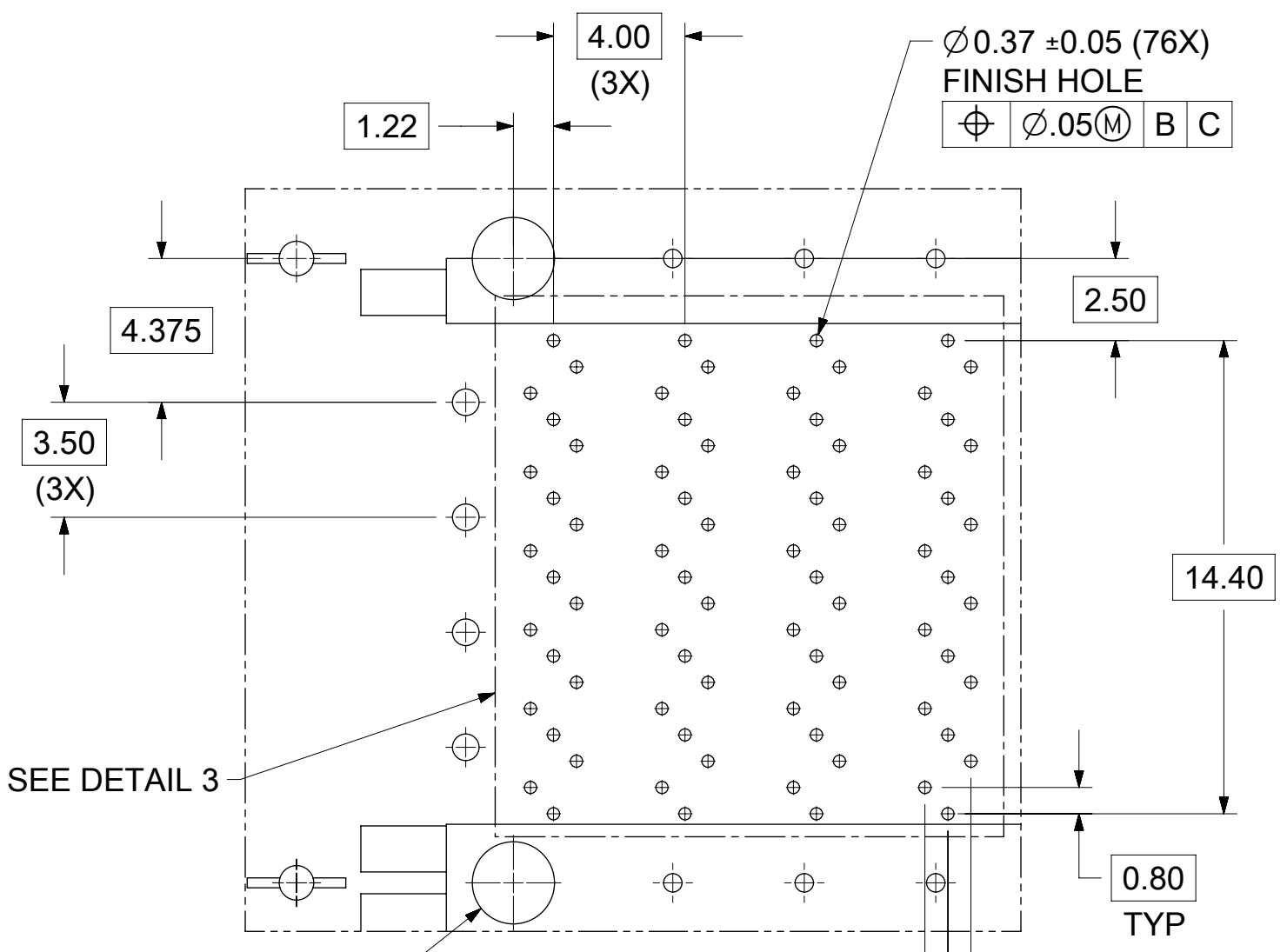
1. THIS SHEET SHOWS COMMON DIMENSIONS FOR 1717221004 AND 1717221005.

FUNCTIONAL SYMBOLS	THIS DRAWING CONTAINS INFORMATION THAT IS PROPRIETARY TO MOLEX ELECTRONIC TECHNOLOGIES, LLC AND SHOULD NOT BE USED WITHOUT WRITTEN PERMISSION													
DIMENSION UNITS	SCALE		CURRENT REV DESC: SEE REVISION TABLE.											
mm	2:1													
GENERAL TOLERANCES (UNLESS SPECIFIED)	EC NO: 721228										ZQSFP+ STACKED CONNECTOR WITH EMI SPRING FINGER PRODUCT CUSTOMER DRAWING			
ANGULAR TOL ± 0.5°	4 PLACES ±	3 PLACES ±	2 PLACES ± 0.13	1 PLACE ± 0.25	0 PLACES ±	DRWN: DSHETTY01 2022/05/13		CHK'D: WAYNEL 2022/09/14		APPR: SYANG16 2022/09/15				
DIVISIONAL SYMBOLS	DRAFT WHERE APPLICABLE MUST REMAIN WITHIN DIMENSIONS	THIRD ANGLE PROJECTION	DRAWING	SERIES	MATERIAL NUMBER	CUSTOMER	SHEET NUMBER	INITIAL REVISION:		DOCUMENT NUMBER		DOC TYPE	DOC PART	REVISION
E/A = 0	E/C = 0	E/P = 0	C-SIZE	171722	SEE P/N TABLE	GENERAL MARKET	2 OF 5	DRWN: JLIN47 2021/09/24		1717222000		PSD	ASY	B6
APPR: SYANG16 2021/12/07														

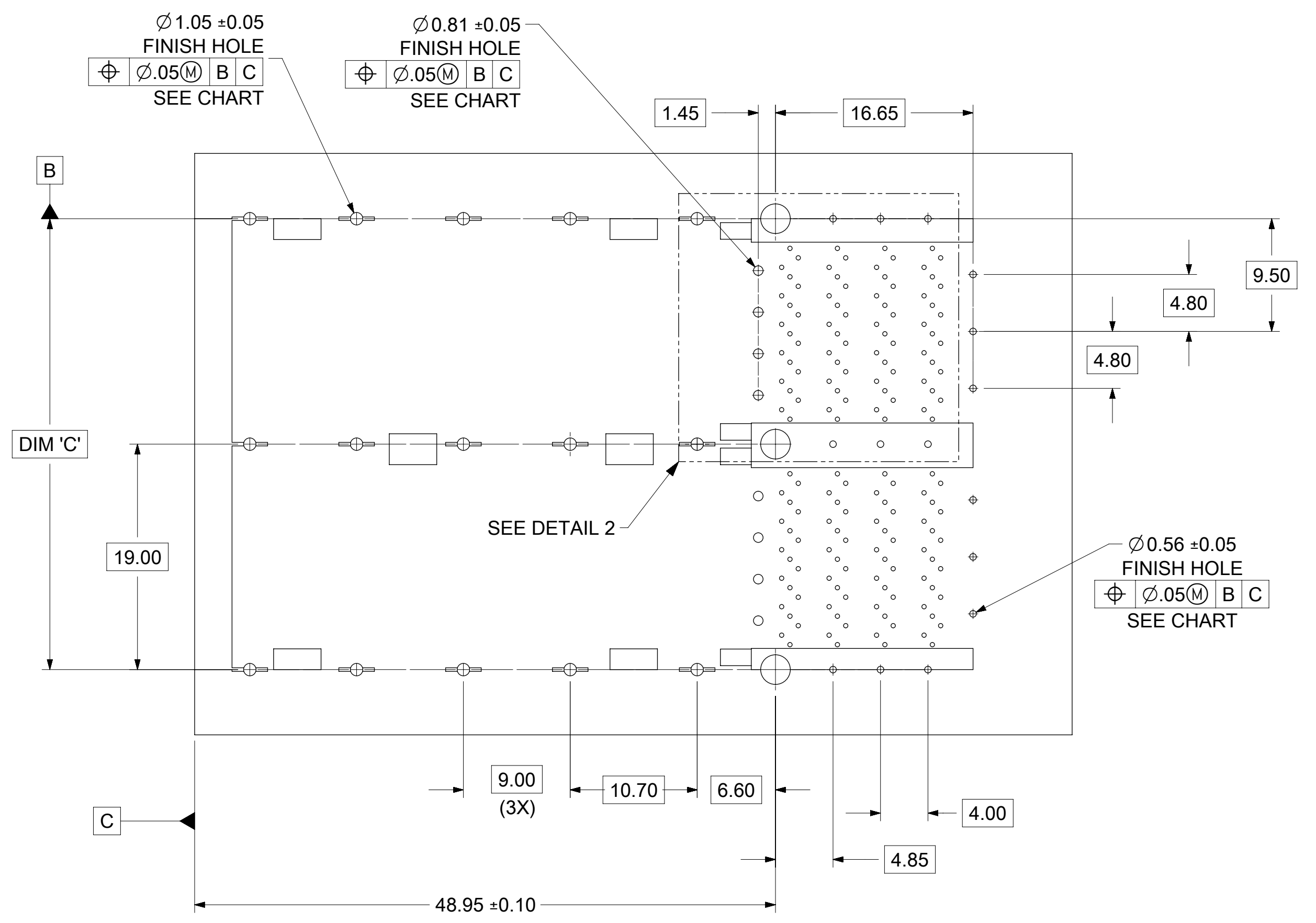
DOCUMENT STATUS	P1	RELEASE DATE	2022/09/15 02:04:17
-----------------	----	--------------	---------------------



DETAIL 3  
LOWER PORT PIN ASSIGNMENTS UPPER PORT

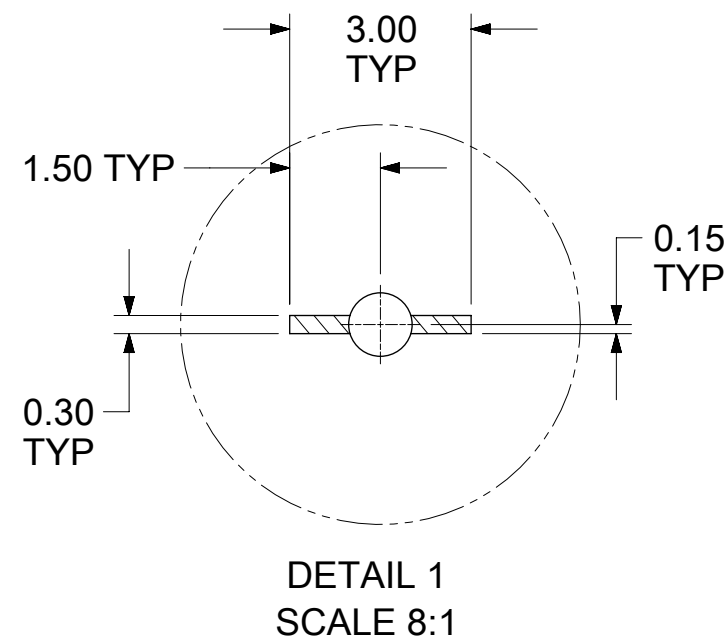
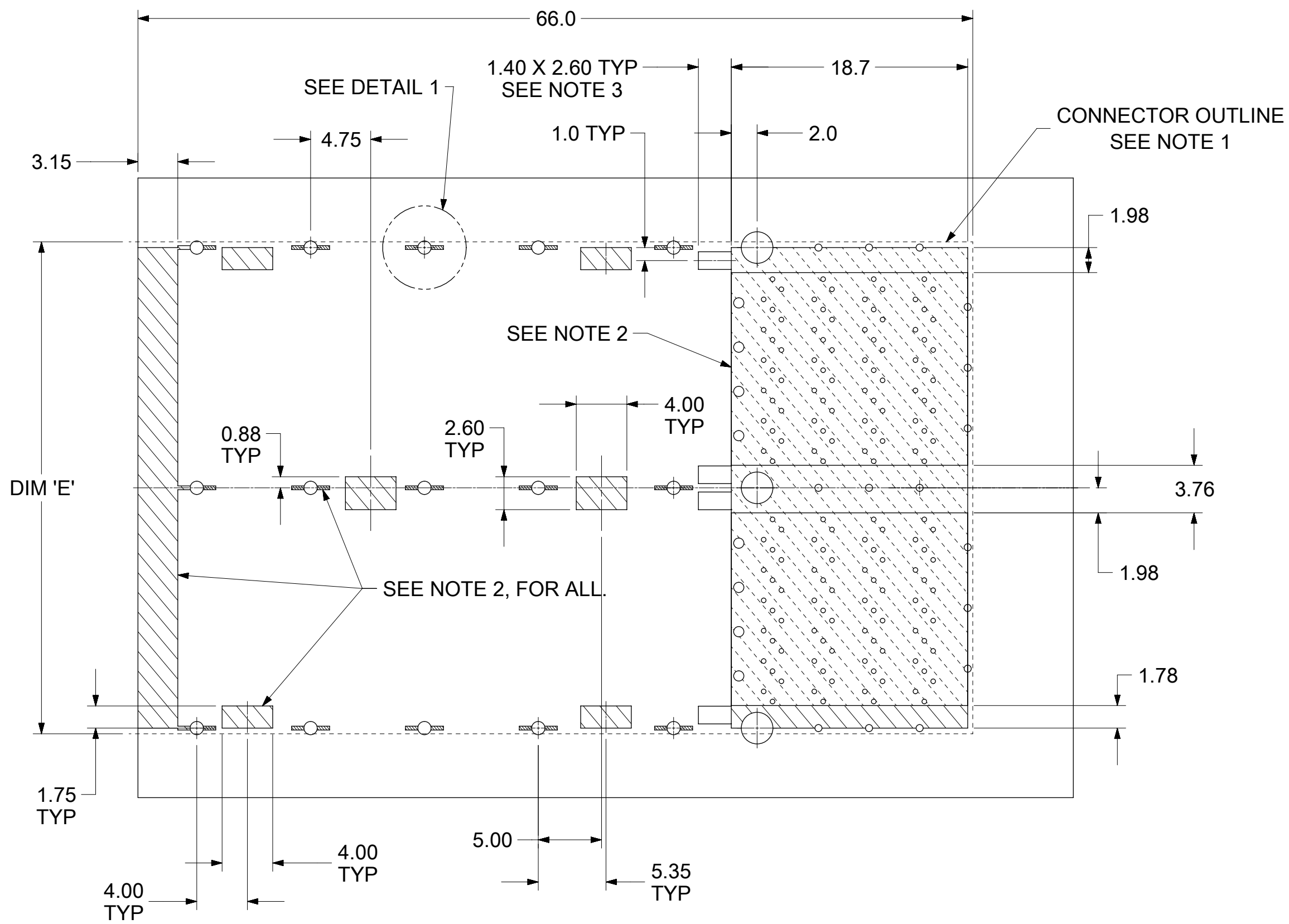


DETAIL 2  
SCALE 5:1

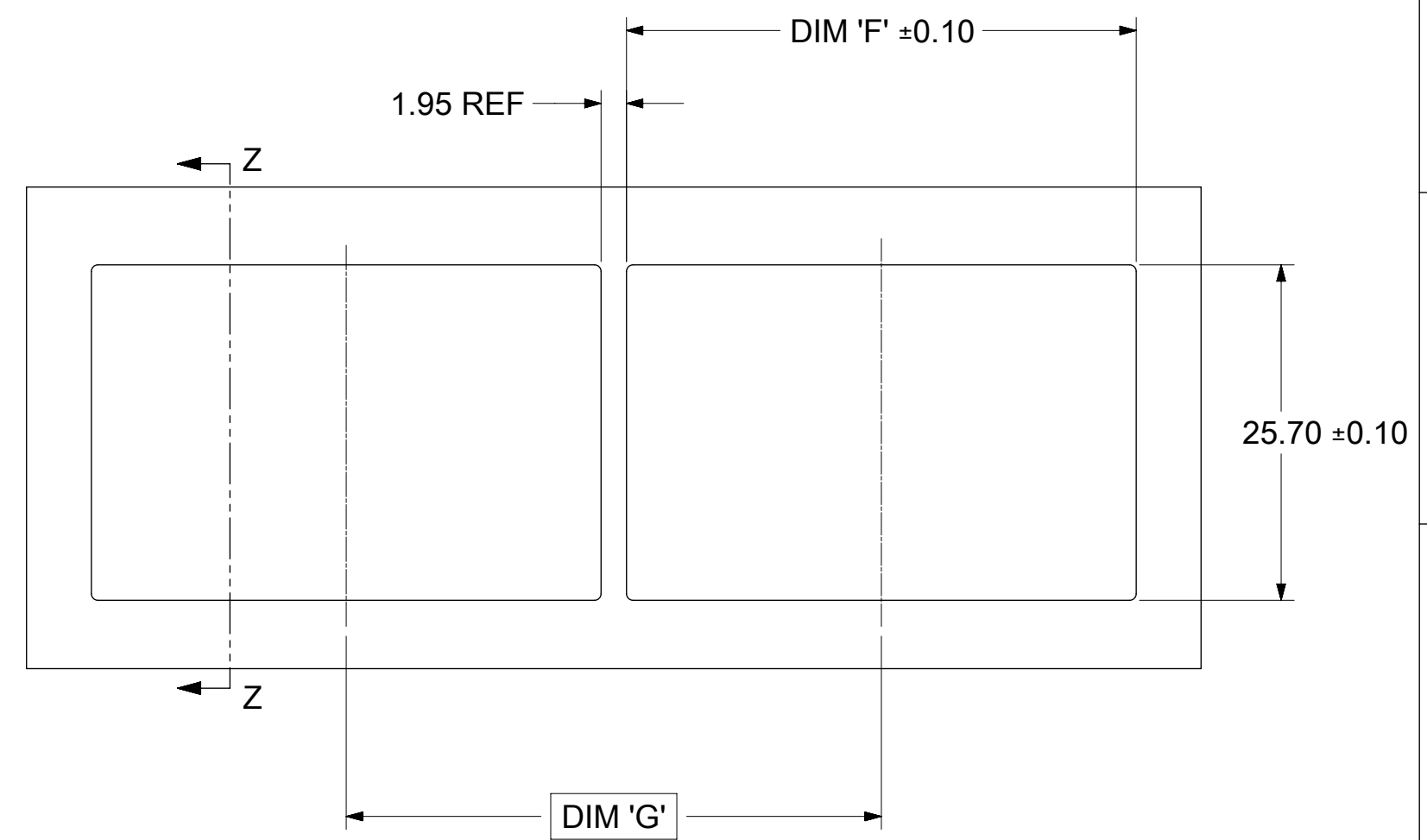


PORT SIZE	DIM 'C'	1.05Ø QUANTITY	0.56Ø QUANTITY	0.81Ø QUANTITY
2X1	19.00	10	9	4
2X2	38.00	15	15	8
2X3	57.00	20	21	12

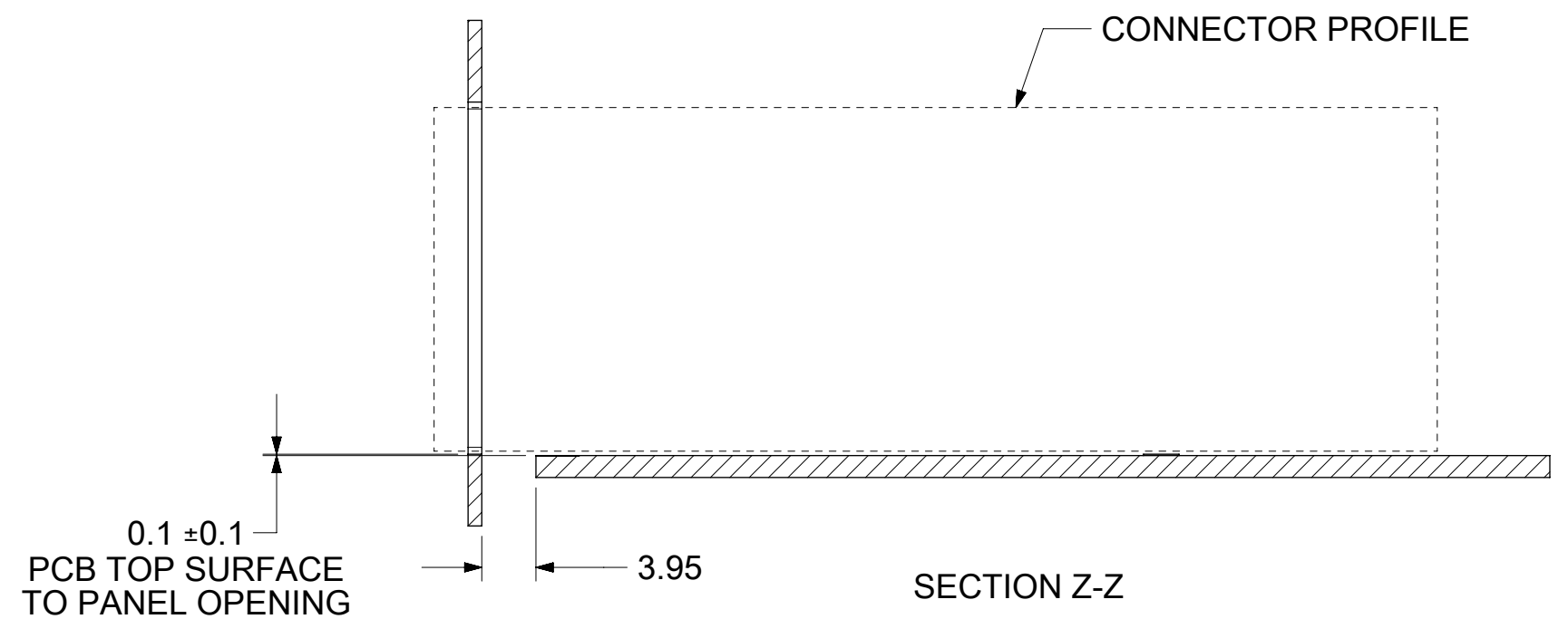
<b>FUNCTIONAL SYMBOLS</b> $\nabla_A = 0$ $\nabla_C = 0$ $\nabla_P = 0$	THIS DRAWING CONTAINS INFORMATION THAT IS PROPRIETARY TO MOLEX ELECTRONIC TECHNOLOGIES, LLC AND SHOULD NOT BE USED WITHOUT WRITTEN PERMISSION		CURRENT REV DESC: SEE REVISION TABLE.					
	DIMENSION UNITS	SCALE	 <b>ZQSFP+ STACKED CONNECTOR WITH EMI SPRING FINGER</b> PRODUCT CUSTOMER DRAWING					
	mm	3:1						
	GENERAL TOLERANCES (UNLESS SPECIFIED)							
ANGULAR TOL ± 0.5°								
<b>DIVISIONAL SYMBOLS</b> 4 PLACES ± 3 PLACES ± 2 PLACES ± 0.13 1 PLACE ± 0.25 0 PLACES ±	EC NO: 721228		2022/05/13					
	DRWN: DSHETTY01		2022/09/14					
	CHK'D: WAYNEL		2022/09/15					
	APPR: SYANG16		2022/09/15					
DRAFT WHERE APPLICABLE MUST REMAIN WITHIN DIMENSIONS		THIRD ANGLE PROJECTION	DRAWING	SERIES	DOCUMENT NUMBER	DOC TYPE	DOC PART	REVISION
			C-SIZE	171722	1717222000	PSD	ASY	B6
DOCUMENT STATUS	P1	RELEASE DATE	2022/09/15	02:04:17	SEE P/N TABLE	GENERAL MARKET		SHEET NUMBER
								3 OF 5



PANEL OPENING AND CONNECTOR SPACING RECOMMENDATIONS



PORT SIZE	DIM 'E'	DIM 'F'	DIM 'G'
2 X 1	19.9	20.05	22.00
2 X 2	38.9	39.05	41.00
2 X 3	57.9	58.05	60.00



NOTES:

1. THE ENTIRE AREA UNDER THE CONNECTOR IS A KEEP OUT ZONE FOR COMPONENTS AND TRACES, TOP LAYER ONLY, EXCEPT FOR CHASSIS GROUND.
2. CROSS-HATCHED AREAS INDICATE PLACES WHERE THE PLASTIC HOUSING AND METAL CAGE MAY CONTACT PCB SURFACE. THESE AREAS ARE KEEP OUT ZONES. CROSS-HATCHED AREA UNDER THE CONNECTOR ARE TRACE AND VIA KEEP OUT AREAS FOR THE TOP LAYER.
3. THESE 2 RECTANGULAR ZONES ARE FOR LED PLACEMENT. LED HEIGHT SHOULD NOT EXCEED 0.8 AND PLACEMENT SHOULD BE CENTERED WITHIN THIS LED KEEP-IN ZONE.
4. RECOMMENDED LED CHIP PACKAGE SIZE IS 0805.

FUNCTIONAL SYMBOLS FA = 0 FC = 0 FP = 0	THIS DRAWING CONTAINS INFORMATION THAT IS PROPRIETARY TO MOLEX ELECTRONIC TECHNOLOGIES, LLC AND SHOULD NOT BE USED WITHOUT WRITTEN PERMISSION		CURRENT REV DESC: SEE REVISION TABLE.		<p>ZQSFP+ STACKED CONNECTOR WITH EMI SPRING FINGER</p> <p>PRODUCT CUSTOMER DRAWING</p>
	DIMENSION UNITS	SCALE	EC NO: 721228		
	mm	2:1	DRWN: DSHETTY01	2022/05/13	
	GENERAL TOLERANCES (UNLESS SPECIFIED)		CHK'D: WAYNEL	2022/09/14	
ANGULAR TOL ± 0.5°		APPR: SYANG16	2022/09/15	DOCUMENT NUMBER	
4 PLACES ±		INITIAL REVISION:	DRWN: JLIN47		1717222000
3 PLACES ±		DRWN: SYANG16	2021/09/24	PSD ASY B6	
2 PLACES ± 0.13		APPR: SYANG16	2021/12/07	DOC TYPE DOC PART REVISION	
1 PLACE ± 0.25		DRAFT WHERE APPLICABLE MUST REMAIN WITHIN DIMENSIONS		171722	
0 PLACES ±		THIRD ANGLE PROJECTION	DRAWING	SERIES	MATERIAL NUMBER
			C-SIZE	171722	SEE P/N TABLE
		CUSTOMER		GENERAL MARKET	
		SHEET NUMBER		4 OF 5	

REVISION HISTORY		
DATE	REV.	DESCRIPTION
2021/09/24	B	REMASTERED DRAWING FROM SD-171722-2000 PSD 001 TO 1717222000 PSD ASY SHEET 1: C07 : CHANGED THE DIMENSION 19.00 REF TO BASIC DIMENSION 19.00 B07 : CHANGED THE DIM B±0.30 TO BASIC DIM B
2021/10/21	B1	ADDED NEW P/N 1717221004 ADDED INSULATION VIEW IN SHEET 2 SHEET 1: A08 : ADDED 1717221004 IN BOM TABLE
2021/11/03	B2	UPDATED DATE CODE OF 1717221002 FROM LDDDYX TO DDDY
2021/12/07	B3	UPDATED DATE CODE OF 1717221002 FROM DDDY TO LDDDYX
2022/01/16	B4	CORRECTED VIEW SHEET 2: G07 : CORRECTED VIEW OF 1717221004
2022/05/12	B5	ADDED P/N 1717221005 TO DRAWING. SHEET 1: A09: ADDED 1717221005 P/N IN TABLE. H05: ADDED MATERIAL DETAILS OF INSULATION SHEET. SHEET 2: A12 : ADDED NOTES "COMMON DIMENSIONS FOR 1717221004 AND 1717221005".
2022/09/13	B6	REMOVED OLD FEATURE ON PCB LAYOUT

FUNCTIONAL SYMBOLS	THIS DRAWING CONTAINS INFORMATION THAT IS PROPRIETARY TO MOLEX ELECTRONIC TECHNOLOGIES, LLC AND SHOULD NOT BE USED WITHOUT WRITTEN PERMISSION										
	DIMENSION UNITS	SCALE	CURRENT REV DESC: SEE REVISION TABLE.								
$\frac{F}{A} = 0$	mm	1:1	<b>molex</b>  ZQSFP+ STACKED CONNECTOR WITH EMI SPRING FINGER  PRODUCT CUSTOMER DRAWING								
$\frac{F}{C} = 0$	GENERAL TOLERANCES (UNLESS SPECIFIED)										
$\frac{F}{P} = 0$	ANGULAR TOL ± 0.5°										
DIVISIONAL SYMBOLS	4 PLACES	±	EC NO: 721228	2022/05/13							
	3 PLACES	±	DRWN: DSHETTY01	2022/09/14							
	2 PLACES	± 0.13	CHK'D: WAYNEL	2022/09/15							
	1 PLACE	± 0.25	APPR: SYANG16	2022/09/15							
	0 PLACES	±	INITIAL REVISION:	2021/09/24							
DRAFT WHERE APPLICABLE MUST REMAIN WITHIN DIMENSIONS			THIRD ANGLE PROJECTION		DRAWING	SERIES	MATERIAL NUMBER	CUSTOMER	SHEET NUMBER		
					C-SIZE	171722	SEE P/N TABLE	GENERAL MARKET	PSD	ASY	B6
											5 OF 5

DOCUMENT STATUS	P1	RELEASE DATE	2022/09/15 02:04:17
-----------------	----	--------------	---------------------