

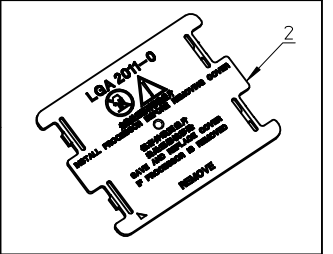
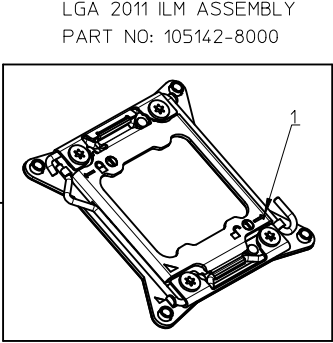
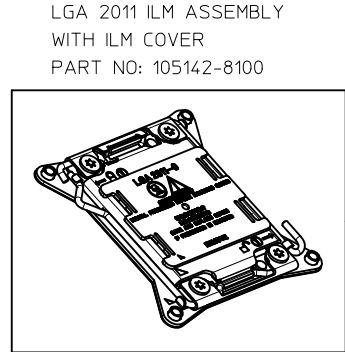
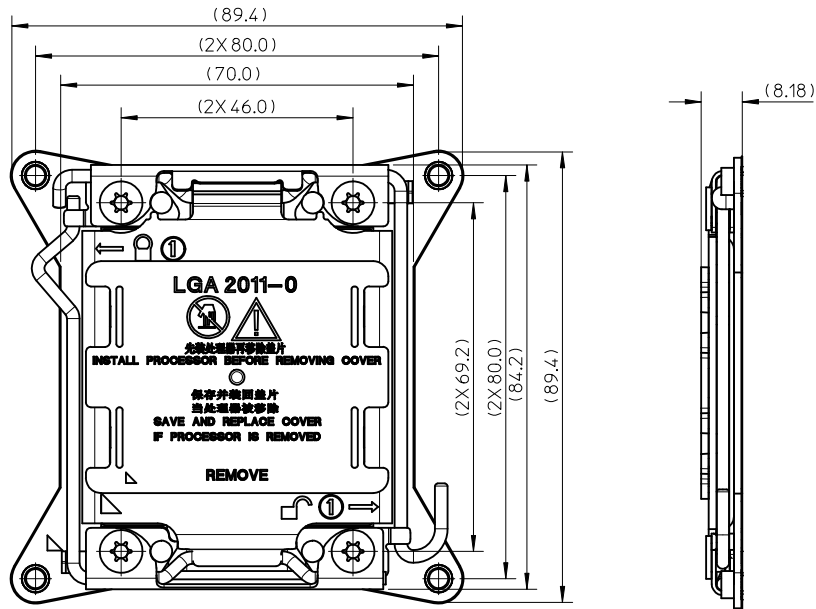
NOTES:
 ▲ DATE CODE
 ▲ DIMENSION A : ILM HEIGHT DEFINE

| STATUS | HEIGHT |
|----------------|-----------|
| PER-ASSEMBLY | 7.55±0.30 |
| AFTER ASSEMBLY | 7.23±0.30 |

3.THE PARTS 10514***** COMPLIANT TO RoHS DIRECTIVE 2002/95/EC AND ELV 2000/53/EC.

| TOP | COMPONENT | | | | |
|--|-----------|------|-------------|---|----------------------------------|
| | ITEM NO | Q'TY | PART NO. | DESCRIPTION | MATERIAL |
| LGA 2011 ILM ASSEMBLY PART NO: 105142-8000 | 1 | 4 | 105143-8001 | LGA2011 CAPTIVE NUT, SHOULDER(Ø6-32 THREAD) | STEEL WITH NICKEL PLATING |
| | 2 | 1 | 105143-8002 | LGA2011 ILM ACTIVE LEVER | STAINLESS STEEL |
| | 3 | 4 | 105143-8003 | LGA2011 ILM CAPTIVE NUT COLLAR, SHOULDER | STEEL WITH NICKEL PLATING |
| | 4 | 1 | 105143-8004 | LGA2011 ILM CLEVIS, ACTIVE | STAINLESS STEEL |
| | 5 | 1 | 105143-8005 | LGA2011 ILM CLEVIS, HINGE | STAINLESS STEEL |
| | 6 | 1 | 105143-8007 | LGA2011 ILM FRAME | STEEL WITH NICKEL PLATING |
| | 7 | 1 | 105143-8008 | LGA2011 ILM FRAME INSULATOR | HALOGEN FREE POLYCARBONATE SHEET |
| | 8 | 1 | 105143-8009 | LGA2011 ILM HINGE LEVER | STAINLESS STEEL |
| | 9 | 4 | 105143-8010 | LGA 2011 ILM HS STUD (M4 X 0.7MM THREAD) | STEEL WITH NICKEL PLATING |
| | 10 | 1 | 105143-8011 | LGA2011 ILM LOADPLATE | STAINLESS STEEL |
| | 11 | 4 | 105143-8012 | LGA2011 ILM RIVET | STAINLESS STEEL |

| | | | | | | | |
|--|---|---|---|---|--|--------------------|----------------------------|
| PROPOSED EC NO: SH2012-0197 DRWN: YXZHENG CHKD: APPR: AYIN 2011/05/13 2012/06/22 | QUALITY SYMBOLS $\nabla = 0$ $\nabla = 0$ $\nabla = 0$ | GENERAL TOLERANCES (UNLESS SPECIFIED) DIMENSION STYLE MM ONLY | SCALE 1:1 | DESIGN UNITS METRIC | THIRD ANGLE PROJECTION | | |
| | | 4 PLACES ± --- ± --- 3 PLACES ± --- ± --- 2 PLACES ± 0.20 ± --- 1 PLACE ± 0.30 ± --- | DRAWN BY YXZHENG DATE 2011/01/26 | CHECKED BY DATE | TITLE ILM AND BACK PLATE DRAWING FOR LGA 2011 SOCKET | | |
| | | ANGULAR ± 3° | APPROVED BY DATE | MATERIAL NO. SEE TABLE | DOCUMENT NO. SD-105142-800 | MOLEX INCORPORATED | |
| | | DRAFT WHERE APPLICABLE MUST REMAIN WITHIN DIMENSIONS | SIZE A3 | THIS DRAWING CONTAINS INFORMATION THAT IS PROPRIETARY TO MOLEX INCORPORATED AND SHOULD NOT BE USED WITHOUT WRITTEN PERMISSION | | | SHEET NO. 1 OF 9 |



LGA 2011 ILM ASSEMBLY WITH ILM COVER
PART NO: 105142-8100

LGA 2011 ILM ASSEMBLY
PART NO: 105142-8000

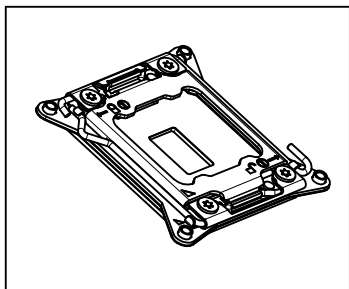
LGA 2011 ILM COVER
PART NO: 105143-8006

| Q'T | ITEM NO | PART NO. | DESCRIPTION |
|-----|---------|-------------|--------------------------------------|
| 1 | TOP | 105142-8100 | LGA 2011 ILM ASSEMBLY WITH ILM COVER |
| 1 | 1 | 105142-8000 | LGA2011 ILM ASSEMBLY |
| 1 | 2 | 105143-8006 | LGA2011 ILM COVER (PC/ABS) |

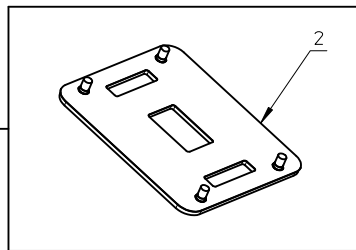
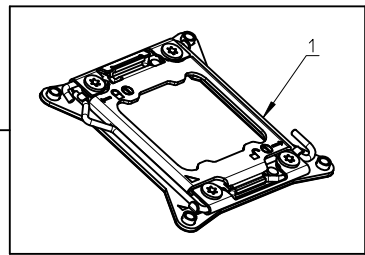
| | | | | | | | | | |
|--|--------------------|---|---|---|--------------|--------------|--|-------|--|
| PROPOSED EC NO: SH2012-0197 DRWN: YXZHENG CHKD: APPR: AYIN 2011/05/13 2012/06/22 | DESCRIPTION REV | QUALITY SYMBOLS | GENERAL TOLERANCES (UNLESS SPECIFIED) | DIMENSION STYLE | SCALE | DESIGN UNITS | THIRD ANGLE PROJECTION | | |
| | | $F_{\Delta} = 0$ $F_{\square} = 0$ $F_{\phi} = 0$ | mm INCH 4 PLACES ± --- ± --- 3 PLACES ± --- ± --- 2 PLACES ± 0.20 ± --- 1 PLACE ± 0.30 ± --- ANGULAR ± 3 ° | MM ONLY | 1:1 | METRIC | DRAWN BY: YXZHENG DATE: 2011/01/26 CHECKED BY: DATE: APPROVED BY: DATE: | TITLE | ILM AND BACK PLATE DRAWING FOR LGA 2011 SOCKET MOLEX INCORPORATED SEE TABLE SD-105142-800 2 OF 9 |
| | | DRAFT WHERE APPLICABLE MUST REMAIN WITHIN DIMENSIONS | SEE TABLE | MATERIAL NO. | DOCUMENT NO. | SHEET NO. | | | |
| | | | SIZE A3 | THIS DRAWING CONTAINS INFORMATION THAT IS PROPRIETARY TO MOLEX INCORPORATED AND SHOULD NOT BE USED WITHOUT WRITTEN PERMISSION | | | | | |

10 9 8 7 6 5 4 3 2 1

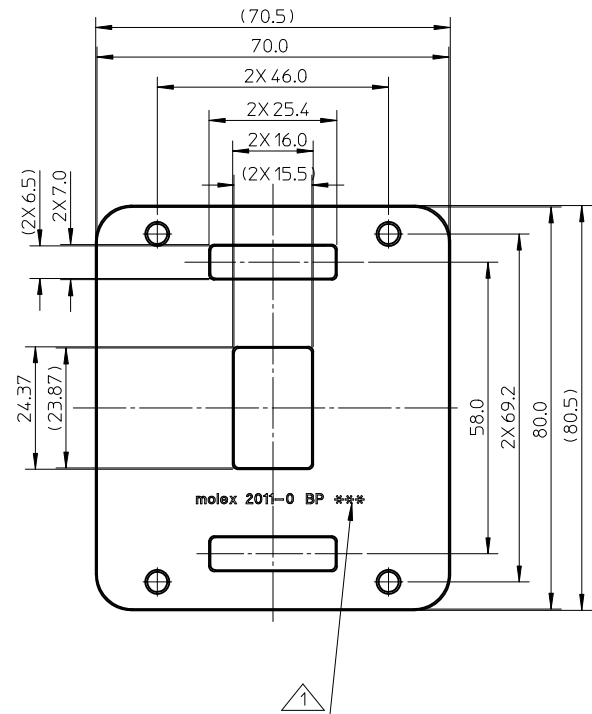
LGA 2011 ILM ASSEMBLY
AND BACK PLATE ASSEMBLY
PART NO: 105142-8200



LGA 2011 ILM ASSEMBLY
PART NO: 105142-8000



LGA 2011 BACK PLATE ASSEMBLY
PART NO: 105142-7000



| Q'T | ITEM NO | PART NO. | DESCRIPTION |
|-----|---------|-------------|---|
| 1 | TOP | 105142-8200 | LGA 2011 ILM ASSEMBLY AND BACK PLATE ASSEMBLY |
| 1 | 1 | 105142-8000 | LGA2011 ILM ASSEMBLY |
| 1 | 2 | 105142-7000 | LGA2011 BACK PLATE ASSEMBLY |

| | | |
|---|-----------------|-------------|
| PROPOSED EC NO: SH2012-0197 DRWN: YXZHENG 2011/05/13 CHKD: APPR: AYIN 2012/06/22 | QUALITY SYMBOLS | DESCRIPTION |
| | $F_A=0$ | |
| | $F_B=0$ | |
| | $F_C=0$ | |
| A | REV | |

| | |
|--|------------|
| GENERAL TOLERANCES (UNLESS SPECIFIED) | |
| mm | INCH |
| 4 PLACES | ± 0.10 |
| 3 PLACES | ± 0.15 |
| 2 PLACES | ± 0.20 |
| 1 PLACE | ± 0.30 |
| ANGULAR $\pm 3^\circ$ | |
| DRAFT WHERE APPLICABLE MUST REMAIN WITHIN DIMENSIONS | |

| | | | |
|-----------------|------------|--|--------------|
| DIMENSION STYLE | | SCALE | DESIGN UNITS |
| MM ONLY | | 1:2 | METRIC |
| DRAWN BY | DATE | TITLE | |
| YXZHENG | 2011/01/26 | ILM AND BACK PLATE DRAWING FOR LGA 2011 SOCKET | |
| CHECKED BY | DATE | MOLEX INCORPORATED | |
| APPROVED BY | DATE | MATERIAL NO. SEE TABLE | |
| MATERIAL NO. | | DOCUMENT NO. | SHEET NO. |
| | | SD-105142-800 | 3 OF 9 |

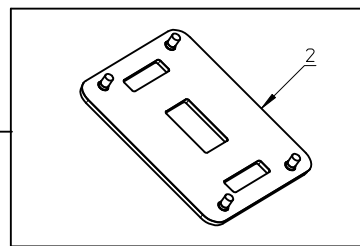
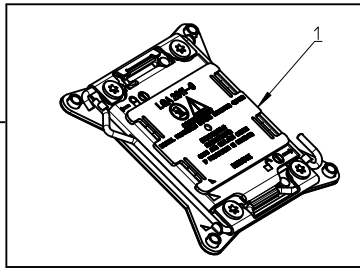
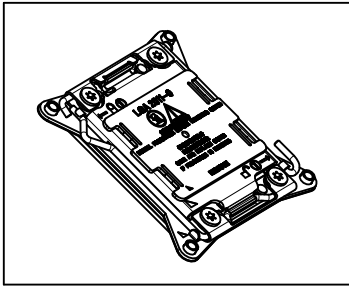
| |
|---|
| THIRD ANGLE PROJECTION |
| MOLEX INCORPORATED |
| SD-105142-800 |
| 3 OF 9 |
| THIS DRAWING CONTAINS INFORMATION THAT IS PROPRIETARY TO MOLEX INCORPORATED AND SHOULD NOT BE USED WITHOUT WRITTEN PERMISSION |

9 8 7 6 5 4 3 2 1

10 9 8 7 6 5 4 3 2 1

LGA 2011 ILM ASSEMBLY
WITH ILM COVER
PART NO: 105142-8100

LGA 2011 ILM ASSEMBLY
WITH ILM COVER AND BACK
PLATE ASSEMBLY
PART NO: 105142-8300



LGA 2011 BACK PLATE ASSEMBLY
PART NO: 105142-7000

| Q'T | ITEM NO | PART NO. | DESCRIPTION |
|-----|---------|-------------|--|
| 1 | TOP | 105142-8300 | LGA 2011 ILM ASSEMBLY WITH ILM COVER AND BACK PLATE ASSEMBLY |
| 1 | 1 | 105142-8100 | LGA2011 ILM ASSEMBLY WITH ILM COVER |
| 1 | 2 | 105142-7000 | LGA2011 BACK PLATE ASSEMBLY |

PROPOSED
EC NO: SH2012-0197
DRWN: YXZHENG 2011/05/13
CHKD:
APPR: AYIN 2012/06/22
REV A

| QUALITY SYMBOLS | GENERAL TOLERANCES (UNLESS SPECIFIED) | |
|-----------------|---------------------------------------|-------|
| | mm | INCH |
| $F_s=0$ | 4 PLACES ± --- | ± --- |
| $F_G=0$ | 3 PLACES ± --- | ± --- |
| $F_P=0$ | 2 PLACES ± 0.20 | ± --- |
| | 1 PLACE ± 0.30 | ± --- |
| | ANGULAR ± 3 ° | |

DRAFT WHERE APPLICABLE
MUST REMAIN
WITHIN DIMENSIONS

| DIMENSION STYLE | SCALE | DESIGN UNITS | THIRD ANGLE PROJECTION |
|-----------------|---|--|------------------------|
| MM ONLY | 1:1 | METRIC | |
| DRAWN BY | DATE | TITLE | |
| YXZHENG | 2011/01/26 | ILM AND BACK PLATE DRAWING FOR LGA 2011 SOCKET | |
| CHECKED BY | DATE | APPROVED BY | |
| | | DATE | |
| MATERIAL NO. | | DOCUMENT NO. | |
| SEE TABLE | | SD-105142-800 | |
| SIZE | THIS DRAWING CONTAINS INFORMATION THAT IS PROPRIETARY TO MOLEX INCORPORATED AND SHOULD NOT BE USED WITHOUT WRITTEN PERMISSION | | |
| A3 | | | |

ILM AND BACK PLATE
DRAWING FOR LGA 2011
SOCKET



MOLEX INCORPORATED

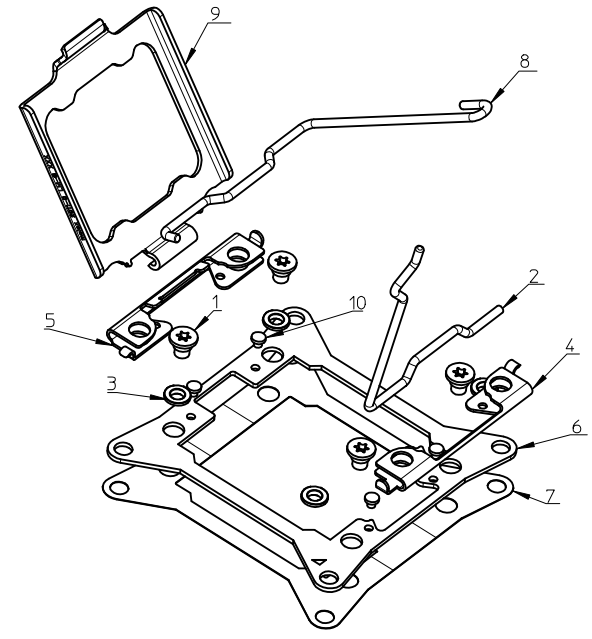
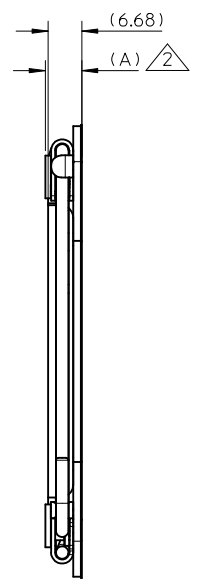
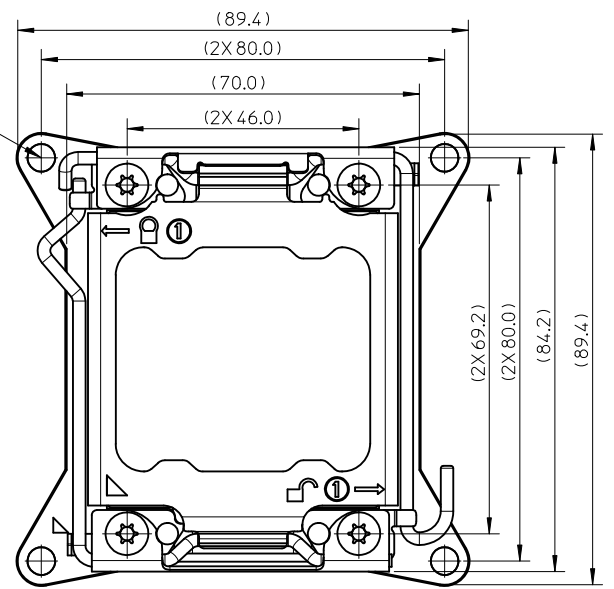
SD-105142-800

SHEET NO.
4 OF 9

9 8 7 6 5 4 3 2 1

10 9 8 7 6 5 4 3 2 1

HS STUD
(M4 X 0.7MM
INTERNAL THREAD)



| TOP | COMPONENT | | | | |
|---|-----------|------|-------------|---|----------------------------------|
| | ITEM NO | Q'TY | PART NO. | DESCRIPTION | MATERIAL |
| LGA 2011 ILM ASSEMBLY (W/O 4-STUDS) PART NO: 105142-8400 | 1 | 4 | 105143-8001 | LGA2011 CAPTIVE NUT, SHOULDER(φ6-32 THREAD) | STEEL WITH NICKEL PLATING |
| | 2 | 1 | 105143-8002 | LGA2011 ILM ACTIVE LEVER | STAINLESS STEEL |
| | 3 | 4 | 105143-8003 | LGA2011 ILM CAPTIVE NUT COLLAR, SHOULDER | STEEL WITH NICKEL PLATING |
| | 4 | 1 | 105143-8004 | LGA2011 ILM CLEVIS, ACTIVE | STAINLESS STEEL |
| | 5 | 1 | 105143-8005 | LGA2011 ILM CLEVIS, HINGE | STAINLESS STEEL |
| | 6 | 1 | 105143-8007 | LGA2011 ILM FRAME | STEEL WITH NICKEL PLATING |
| | 7 | 1 | 105143-8013 | LGA2011 ILM FRAME INSULATOR (W/O STUD) | HALOGEN FREE POLYCARBONATE SHEET |
| | 8 | 1 | 105143-8009 | LGA2011 ILM HINGE LEVER | STAINLESS STEEL |
| | 9 | 1 | 105143-8011 | LGA2011 ILM LOADPLATE | STAINLESS STEEL |
| | 10 | 4 | 105143-8012 | LGA2011 ILM RIVET | STAINLESS STEEL |

PROPOSED
EC NO: SH2012-0197
DRWN: YXZHENG 2011/05/13
CHKD:
APPR: AYIN 2012/06/22

QUALITY SYMBOLS
 $\nabla_A = 0$
 $\nabla_C = 0$
 $\nabla_B = 0$

GENERAL TOLERANCES (UNLESS SPECIFIED)

| | mm | INCH |
|----------|--------|-------|
| 4 PLACES | ± --- | ± --- |
| 3 PLACES | ± --- | ± --- |
| 2 PLACES | ± 0.20 | ± --- |
| 1 PLACE | ± 0.30 | ± --- |

ANGULAR ± 3 °

DRAFT WHERE APPLICABLE
MUST REMAIN
WITHIN DIMENSIONS

DIMENSION STYLE
MM ONLY

SCALE
1:1

DESIGN UNITS
METRIC

THIRD ANGLE PROJECTION

DRAWN BY
YXZHENG

DATE
2011/01/26

CHECKED BY

DATE

APPROVED BY

DATE

MATERIAL NO.
SEE TABLE

DOCUMENT NO.
SD-105142-800

SHEET NO.
5 OF 9

SIZE
A3

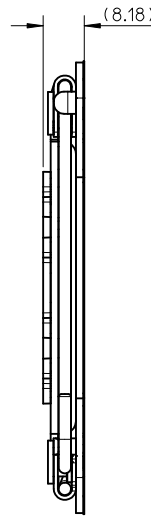
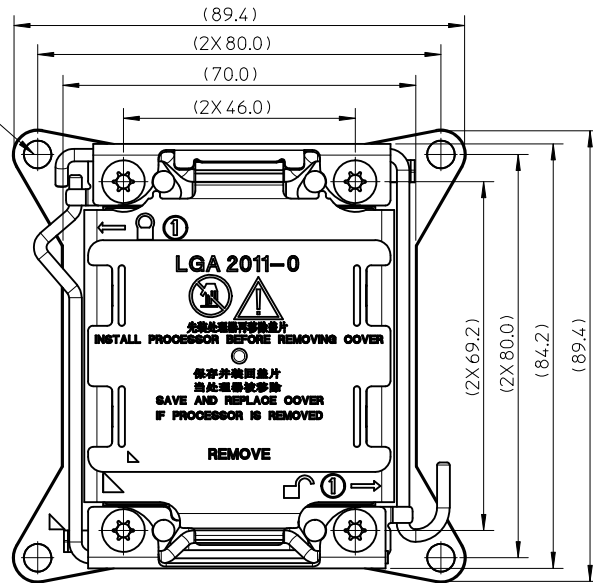
TITLE
ILM AND BACK PLATE
DRAWING FOR LGA 2011
SOCKET

MOLEX INCORPORATED

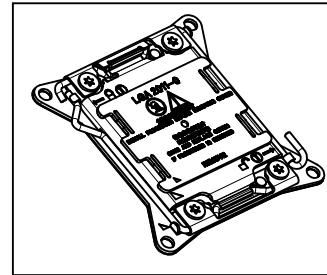
THIS DRAWING CONTAINS INFORMATION THAT IS PROPRIETARY TO MOLEX
INCORPORATED AND SHOULD NOT BE USED WITHOUT WRITTEN PERMISSION

9 8 7 6 5 4 3 2 1

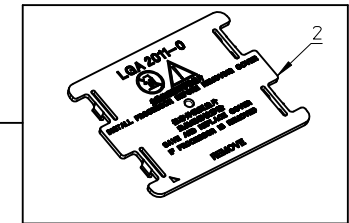
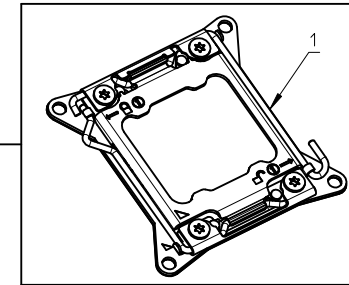
HS STUD
(M4 X 0.7MM
INTERNAL THREAD)



LGA 2011 ILM ASSEMBLY
(W/O 4-STUDS)
WITH ILM COVER
PART NO: 105142-8500



LGA 2011 ILM ASSEMBLY
W/O 4-STUDS
PART NO: 105142-8400

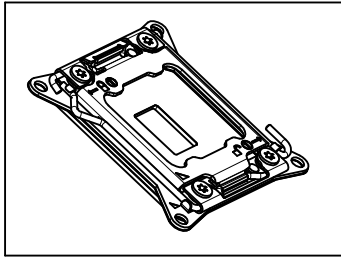


LGA 2011 ILM COVER
PART NO: 105143-8006

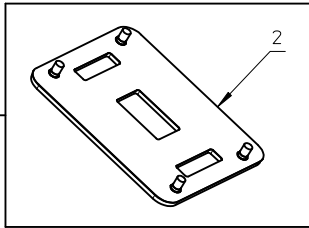
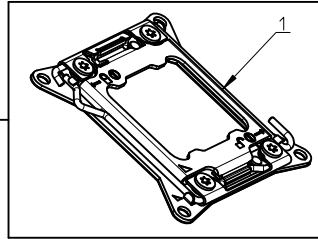
| Q'T | ITEM NO | PART NO. | DESCRIPTION |
|-----|---------|-------------|---|
| 1 | TOP | 105142-8500 | LGA 2011 ILM ASSEMBLY W/ILM COVER(W/O STUD) |
| 1 | 1 | 105142-8400 | LGA2011 ILM ASSEMBLY W/O 4-STUDS |
| 1 | 2 | 105143-8006 | LGA2011 ILM COVER (PC/ABS) |

| | | | | | | | | |
|--|------------------|--|---|---|--------------|--------------|---|-------|
| PROPOSED EC NO: SH2012-0197 DRWN: YXZHENG CHKD: APPR: AYIN 2011/05/13 2012/06/22 | DESCRIPTION A | QUALITY SYMBOLS | GENERAL TOLERANCES (UNLESS SPECIFIED) | DIMENSION STYLE | SCALE | DESIGN UNITS | THIRD ANGLE PROJECTION | |
| | | $\nabla_A = 0$ $\nabla_C = 0$ $\nabla_P = 0$ | mm INCH 4 PLACES ± --- ± --- 3 PLACES ± --- ± --- 2 PLACES ± 0.20 ± --- 1 PLACE ± 0.30 ± --- ANGULAR ± 3 ° | MM ONLY | 1:1 | METRIC | DRAWN BY: YXZHENG DATE: 2011/01/26 CHECKED BY: DATE: APPROVED BY: DATE: | TITLE |
| | | DRAFT WHERE APPLICABLE MUST REMAIN WITHIN DIMENSIONS | SEE TABLE | MATERIAL NO. | DOCUMENT NO. | SHEET NO. | ILM AND BACK PLATE DRAWING FOR LGA 2011 SOCKET MOLEX INCORPORATED SD-105142-800 6 OF 9 | |
| | | | SIZE A3 | THIS DRAWING CONTAINS INFORMATION THAT IS PROPRIETARY TO MOLEX INCORPORATED AND SHOULD NOT BE USED WITHOUT WRITTEN PERMISSION | | | | |

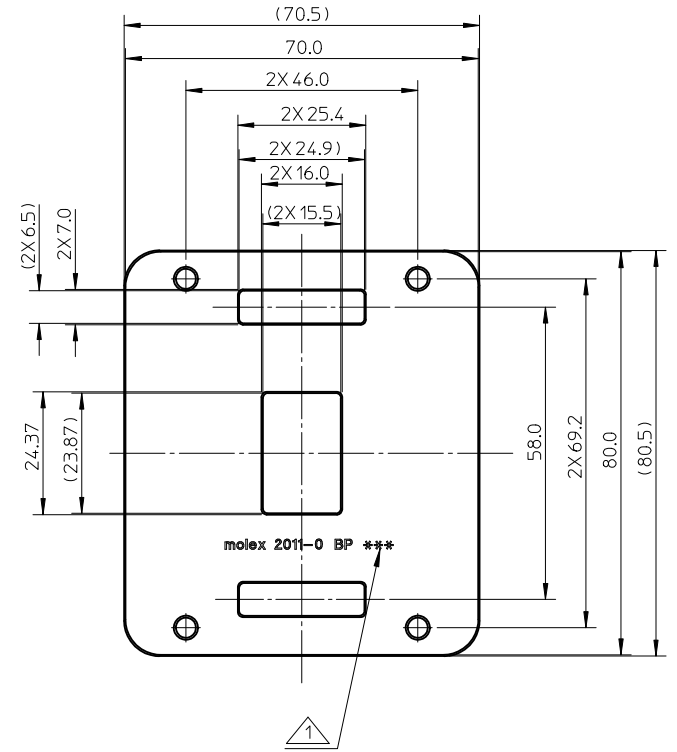
LGA 2011 ILM AND BP ASSEMBLY
W/O 4-STUDS AND ILM COVER
PART NO: 105142-8600



LGA 2011 ILM ASSEMBLY
W/O 4-STUDS
PART NO: 105142-8400



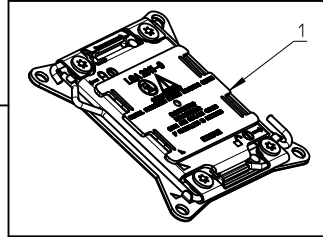
LGA 2011 BACK PLATE ASSEMBLY
PART NO: 105142-7000



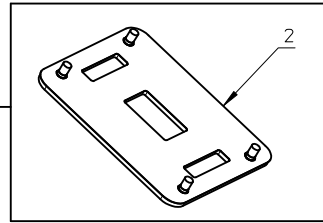
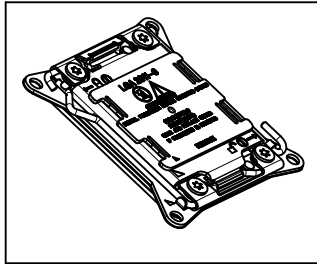
| Q'T | ITEM NO | PART NO. | DESCRIPTION |
|-----|---------|-------------|--|
| 1 | TOP | 105142-8600 | LGA 2011 ILM AND BP ASSEMBLY W/O 4-STUDS,ILM COVER |
| 1 | 1 | 105142-8400 | LGA2011 ILM ASSEMBLY W/O 4-STUDS |
| 1 | 2 | 105142-7000 | LGA2011 BACK PLATE ASSEMBLY |

| | | | | | | | | |
|--|--------------------|-------------------------------|---|--|---------------|--|------------------------|-----------|
| PROPOSED EC NO: SH2012-0197 DRWN:YXZHENG CHKD: APPR:AYIN 2011/05/13 2012/06/22 | DESCRIPTION REV | QUALITY SYMBOLS | GENERAL TOLERANCES (UNLESS SPECIFIED) | DIMENSION STYLE | SCALE | DESIGN UNITS | THIRD ANGLE PROJECTION | |
| | | $F_A=0$ $F_C=0$ $F_P=0$ | mm INCH 4 PLACES ± --- ± --- 3 PLACES ± --- ± --- 2 PLACES ± 0.20 ± --- 1 PLACE ± 0.30 ± --- ANGULAR ± 3 ° | MM ONLY | 1:2 | METRIC | | |
| | | | DRAFT WHERE APPLICABLE MUST REMAIN WITHIN DIMENSIONS | DRAWN BY: YXZHENG DATE: 2011/01/26 CHECKED BY: DATE: APPROVED BY: DATE: | TITLE | ILM AND BACK PLATE DRAWING FOR LGA 2011 SOCKET MOLEX INCORPORATED | | |
| | | A | | SEE TABLE | SD-105142-800 | MATERIAL NO. | DOCUMENT NO. | SHEET NO. |

LGA 2011 ILM ASSEMBLY
 (W/O 4-STUDS)
 WITH ILM COVER
 PART NO: 105142-8500



LGA 2011 ILM AND BP ASSEMBLY
 (W/O 4-STUDS)
 WITH ILM COVER
 PART NO: 105142-8700



LGA 2011 BACK PLATE ASSEMBLY
 PART NO: 105142-7000

| Q'T | ITEM NO | PART NO. | DESCRIPTION |
|-----|---------|-------------|--|
| 1 | TOP | 105142-8700 | LGA 2011 ILM AND BP ASSEMBLY(W/O 4-STUDS) WITH ILM COVER |
| 1 | 1 | 105142-8500 | LGA 2011 ILM ASSEMBLY(W/O 4-STUDS) WITH ILM COVER |
| 1 | 2 | 105142-7000 | LGA2011 BACK PLATE ASSEMBLY |

PROPOSED
 EC NO: SH2012-0197
 DRWN: YXZHENG 2011/05/13
 CHKD: CHYD
 APPR: AYIN 2012/06/22

| QUALITY SYMBOLS | GENERAL TOLERANCES (UNLESS SPECIFIED) | |
|-----------------|---------------------------------------|-----------|
| | mm | INCH |
| $F_A=0$ | 4 PLACES \pm --- | \pm --- |
| $F_C=0$ | 3 PLACES \pm --- | \pm --- |
| $F_G=0$ | 2 PLACES \pm 0.20 | \pm --- |
| $F_P=0$ | 1 PLACE \pm 0.30 | \pm --- |
| | ANGULAR \pm 3 ° | |

| DIMENSION STYLE | | SCALE | DESIGN UNITS |
|-----------------|---|--|--------------|
| MM ONLY | | 1:2 | METRIC |
| DRAWN BY | DATE | TITLE | |
| YXZHENG | 2011/01/26 | ILM AND BACK PLATE DRAWING FOR LGA 2011 SOCKET | |
| CHECKED BY | DATE | APPROVED BY | |
| | | DATE | |
| MATERIAL NO. | | DOCUMENT NO. | |
| SEE TABLE | | SD-105142-800 | |
| SIZE | THIS DRAWING CONTAINS INFORMATION THAT IS PROPRIETARY TO MOLEX INCORPORATED AND SHOULD NOT BE USED WITHOUT WRITTEN PERMISSION | | |
| A3 | | | |

| THIRD ANGLE PROJECTION |
|---------------------------|
| |
| MOLEX INCORPORATED |
| SHEET NO. 8 OF 9 |

10 9 8 7 6 5 4 3 2 1

F

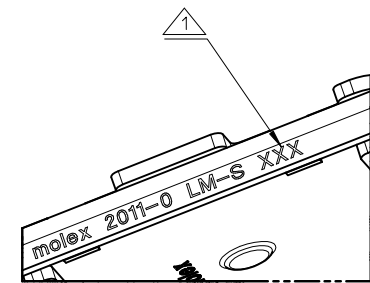
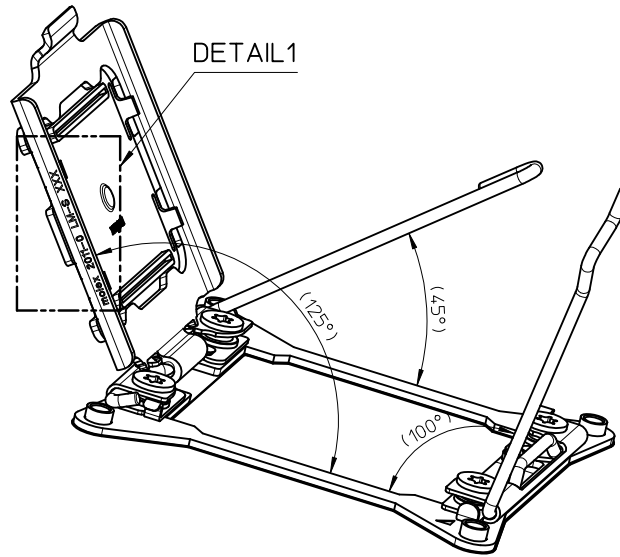
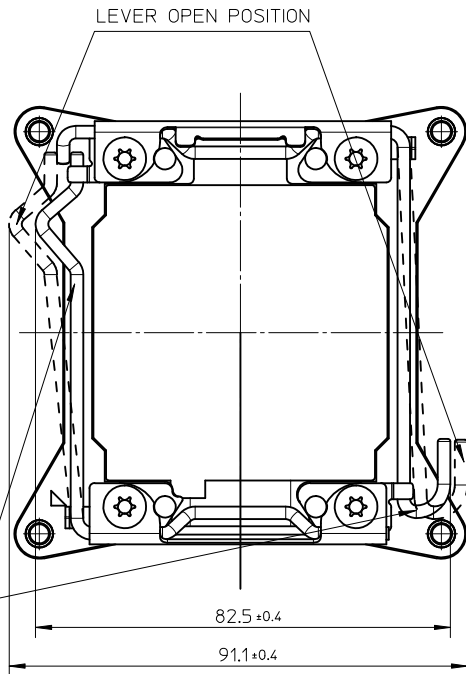
E

D

C

B

A

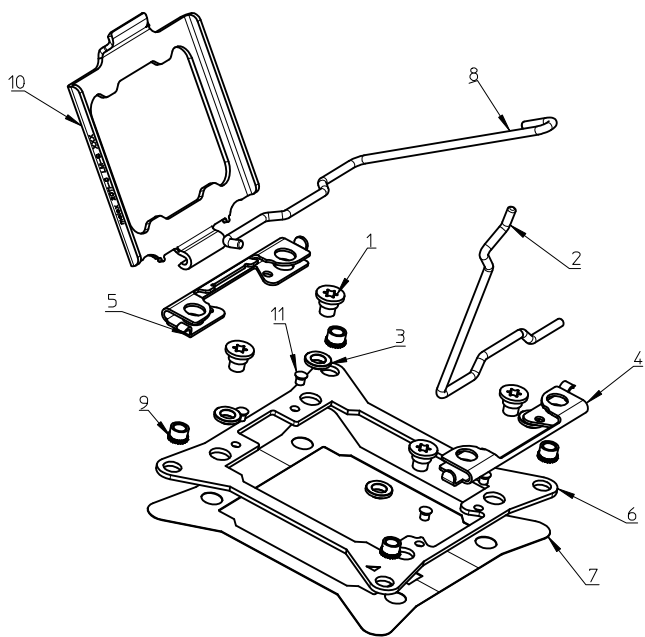
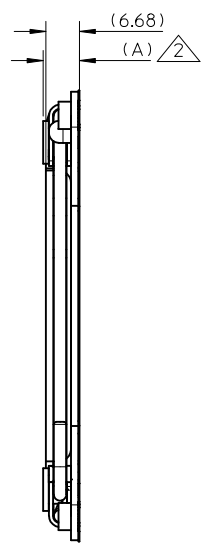
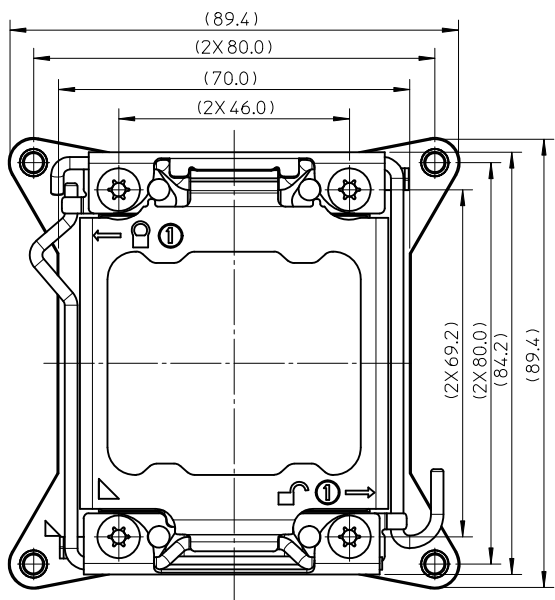


ILM OPEN ANGLE FOR REFERENCE ONLY

DETAIL 1

| | | | | | | | | | | |
|--|--------------------|--|--|--|--|--------|--|------------------------|--|--|
| PROPOSED EC NO: SH2012-0197 DRWN: YXZHENG 2011/05/13 CHKD: APPR: AYIN 2012/06/22 | DESCRIPTION REV | QUALITY SYMBOLS | GENERAL TOLERANCES (UNLESS SPECIFIED) | | DIMENSION STYLE | SCALE | DESIGN UNITS | THIRD ANGLE PROJECTION | | |
| | | $\nabla_F = 0$ $\nabla_E = 0$ $\nabla_B = 0$ | mm INCH 4 PLACES ± --- ± --- 3 PLACES ± --- ± --- 2 PLACES ± 0.20 ± --- 1 PLACE ± 0.30 ± --- ANGULAR ± 3 ° | MM ONLY | 1:1 | METRIC | | | | |
| | | | DRAFT WHERE APPLICABLE MUST REMAIN WITHIN DIMENSIONS | DRAWN BY: YXZHENG DATE: 2011/01/26 CHECKED BY: DATE: | TITLE | | ILM AND BACK PLATE DRAWING FOR LGA 2011 SOCKET | | | |
| | | | | APPROVED BY: DATE: MATERIAL NO. SEE TABLE SIZE: A3 | MOLEX INCORPORATED DOCUMENT NO. SD-105142-800 | | SHEET NO. 9 OF 9 | | | |

9 8 7 6 5 4 3 2 1



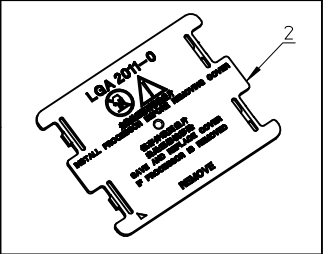
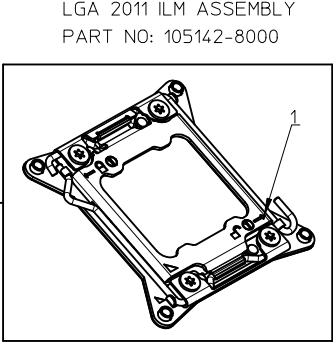
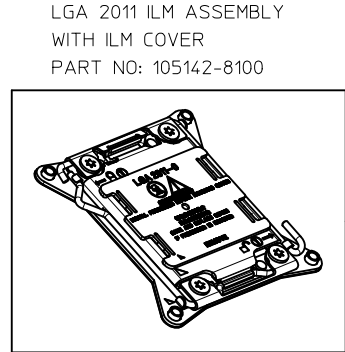
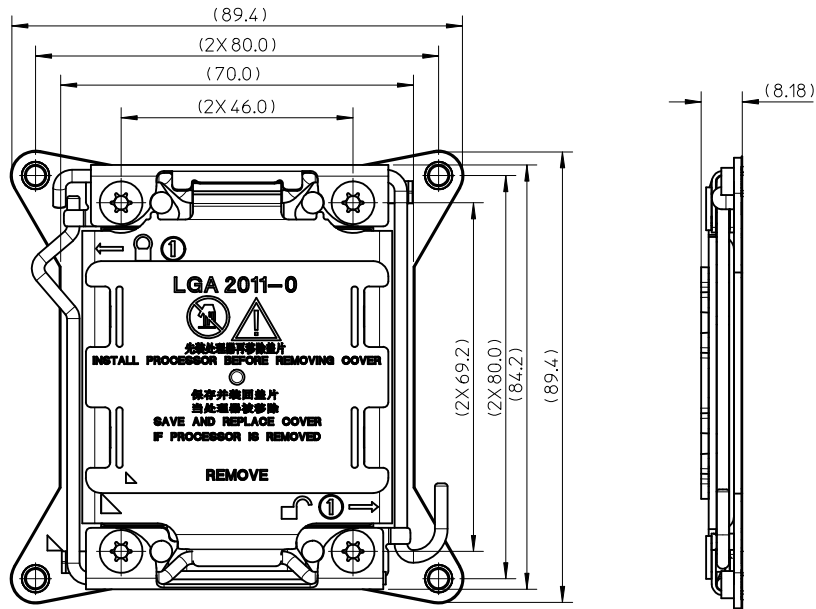
NOTES:
 ▲ DATE CODE
 ▲ DIMENSION A : ILM HEIGHT DEFINE

| STATUS | HEIGHT |
|----------------|-----------|
| PER-ASSEMBLY | 7.55±0.30 |
| AFTER ASSEMBLY | 7.23±0.30 |

3.THE PARTS 10514***** COMPLIANT TO RoHS DIRECTIVE 2002/95/EC AND ELV 2000/53/EC.

| TOP | COMPONENT | | | | |
|--|-----------|------|-------------|---|----------------------------------|
| | ITEM NO | Q'TY | PART NO. | DESCRIPTION | MATERIAL |
| LGA 2011 ILM ASSEMBLY PART NO: 105142-8000 | 1 | 4 | 105143-8001 | LGA2011 CAPTIVE NUT, SHOULDER(Ø6-32 THREAD) | STEEL WITH NICKEL PLATING |
| | 2 | 1 | 105143-8002 | LGA2011 ILM ACTIVE LEVER | STAINLESS STEEL |
| | 3 | 4 | 105143-8003 | LGA2011 ILM CAPTIVE NUT COLLAR, SHOULDER | STEEL WITH NICKEL PLATING |
| | 4 | 1 | 105143-8004 | LGA2011 ILM CLEVIS, ACTIVE | STAINLESS STEEL |
| | 5 | 1 | 105143-8005 | LGA2011 ILM CLEVIS, HINGE | STAINLESS STEEL |
| | 6 | 1 | 105143-8007 | LGA2011 ILM FRAME | STEEL WITH NICKEL PLATING |
| | 7 | 1 | 105143-8008 | LGA2011 ILM FRAME INSULATOR | HALOGEN FREE POLYCARBONATE SHEET |
| | 8 | 1 | 105143-8009 | LGA2011 ILM HINGE LEVER | STAINLESS STEEL |
| | 9 | 4 | 105143-8010 | LGA 2011 ILM HS STUD (M4 X 0.7MM THREAD) | STEEL WITH NICKEL PLATING |
| | 10 | 1 | 105143-8011 | LGA2011 ILM LOADPLATE | STAINLESS STEEL |
| | 11 | 4 | 105143-8012 | LGA2011 ILM RIVET | STAINLESS STEEL |

| | | | | | | | | |
|--|--------------------------|--------------------------------------|---------------------------------------|--|---|--|--------------|------------------------|
| PROPOSED EC NO: SH2012-0197 DRWN: YXZHENG CHKD: APPR: AYIN | 2011/05/13 2012/06/22 | QUALITY SYMBOLS F=0 E=0 E=0 | GENERAL TOLERANCES (UNLESS SPECIFIED) | | DIMENSION STYLE | SCALE | DESIGN UNITS | THIRD ANGLE PROJECTION |
| | | | | | MM ONLY | 1:1 | METRIC | |
| | | | | | DRAWN BY: YXZHENG DATE: 2011/01/26 CHECKED BY: DATE: | TITLE | | |
| | | | | | APPROVED BY: DATE: MATERIAL NO. SEE TABLE DOCUMENT NO. SD-105142-800 | ILM AND BACK PLATE DRAWING FOR LGA 2011 SOCKET MOLEX INCORPORATED SHEET NO. 1 OF 9 | | |



LGA 2011 ILM ASSEMBLY WITH ILM COVER
PART NO: 105142-8100

LGA 2011 ILM ASSEMBLY
PART NO: 105142-8000

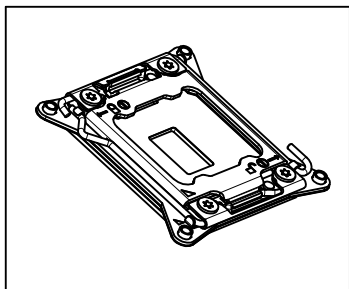
LGA 2011 ILM COVER
PART NO: 105143-8006

| Q'T | ITEM NO | PART NO. | DESCRIPTION |
|-----|---------|-------------|--------------------------------------|
| 1 | TOP | 105142-8100 | LGA 2011 ILM ASSEMBLY WITH ILM COVER |
| 1 | 1 | 105142-8000 | LGA2011 ILM ASSEMBLY |
| 1 | 2 | 105143-8006 | LGA2011 ILM COVER (PC/ABS) |

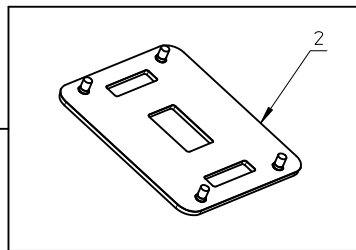
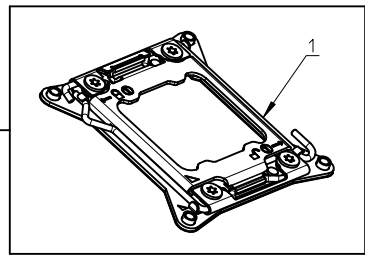
| | | | | | | | |
|--|--------------------|---|---|--|--|--|------------------------|
| PROPOSED EC NO: SH2012-0197 DRWN: YXZHENG CHKD: APPR: AYIN 2011/05/13 2012/06/22 | DESCRIPTION REV | QUALITY SYMBOLS | GENERAL TOLERANCES (UNLESS SPECIFIED) | DIMENSION STYLE | SCALE | DESIGN UNITS | THIRD ANGLE PROJECTION |
| | | $F_{\Delta} = 0$ $F_{\square} = 0$ $F_{\phi} = 0$ | mm INCH 4 PLACES ± --- ± --- 3 PLACES ± --- ± --- 2 PLACES ± 0.20 ± --- 1 PLACE ± 0.30 ± --- ANGULAR ± 3 ° | MM ONLY | 1:1 | METRIC | |
| | | | DRAFT WHERE APPLICABLE MUST REMAIN WITHIN DIMENSIONS | DRAWN BY: YXZHENG DATE: 2011/01/26 CHECKED BY: DATE: APPROVED BY: DATE: | TITLE | ILM AND BACK PLATE DRAWING FOR LGA 2011 SOCKET | |
| | | | | MATERIAL NO. SEE TABLE SIZE: A3 | DOCUMENT NO. SD-105142-800 SHEET NO. 2 OF 9 | MOLEX INCORPORATED | |

10 9 8 7 6 5 4 3 2 1

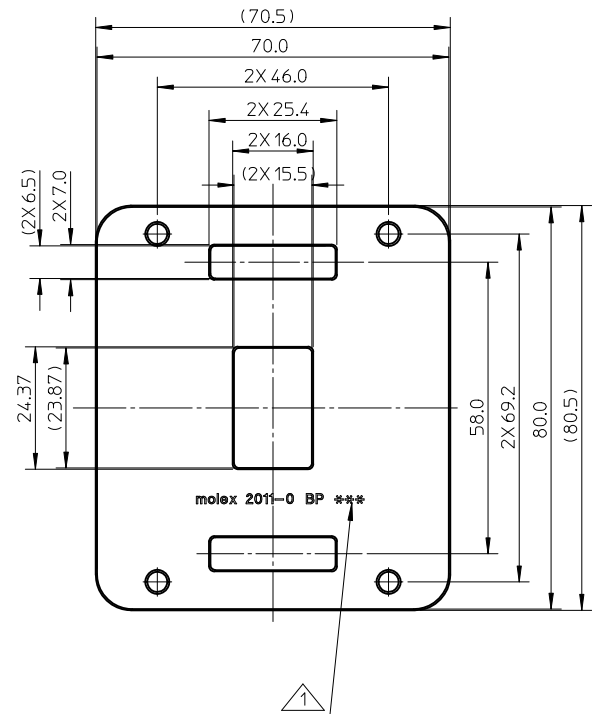
LGA 2011 ILM ASSEMBLY
AND BACK PLATE ASSEMBLY
PART NO: 105142-8200



LGA 2011 ILM ASSEMBLY
PART NO: 105142-8000



LGA 2011 BACK PLATE ASSEMBLY
PART NO: 105142-7000



| Q'T | ITEM NO | PART NO. | DESCRIPTION |
|-----|---------|-------------|---|
| 1 | TOP | 105142-8200 | LGA 2011 ILM ASSEMBLY AND BACK PLATE ASSEMBLY |
| 1 | 1 | 105142-8000 | LGA2011 ILM ASSEMBLY |
| 1 | 2 | 105142-7000 | LGA2011 BACK PLATE ASSEMBLY |

| | | |
|---|-----------------|-------------|
| PROPOSED EC NO: SH2012-0197 DRWN: YXZHENG 2011/05/13 CHKD: APPR: AYIN 2012/06/22 | QUALITY SYMBOLS | DESCRIPTION |
| | $\nabla_A = 0$ | |
| | $\nabla_B = 0$ | |
| | $\nabla_C = 0$ | |
| A | REV | |

| | |
|--|------------|
| GENERAL TOLERANCES (UNLESS SPECIFIED) | |
| mm | INCH |
| 4 PLACES | ± 0.15 |
| 3 PLACES | ± 0.20 |
| 2 PLACES | ± 0.25 |
| 1 PLACE | ± 0.30 |
| ANGULAR $\pm 3^\circ$ | |
| DRAFT WHERE APPLICABLE MUST REMAIN WITHIN DIMENSIONS | |

| | | | |
|-----------------|---|--|--------------|
| DIMENSION STYLE | | SCALE | DESIGN UNITS |
| MM ONLY | | 1:2 | METRIC |
| DRAWN BY | DATE | TITLE | |
| YXZHENG | 2011/01/26 | ILM AND BACK PLATE DRAWING FOR LGA 2011 SOCKET | |
| CHECKED BY | DATE | APPROVED BY | |
| | | DATE | |
| MATERIAL NO. | | DOCUMENT NO. | |
| SEE TABLE | | SD-105142-800 | |
| SIZE | THIS DRAWING CONTAINS INFORMATION THAT IS PROPRIETARY TO MOLEX INCORPORATED AND SHOULD NOT BE USED WITHOUT WRITTEN PERMISSION | | |
| A3 | | | |

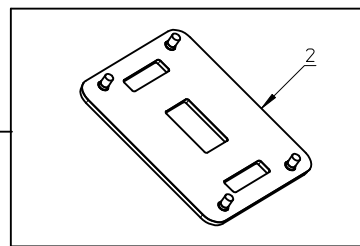
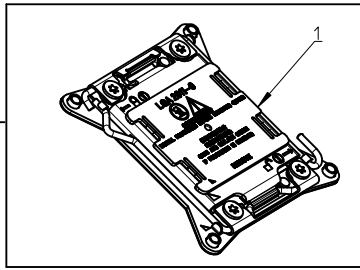
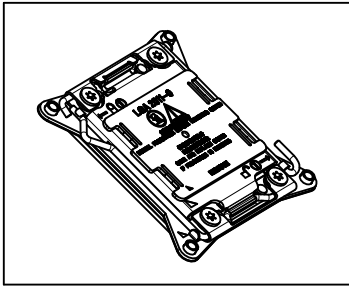
| | | | |
|------------------------|--------------------|--|-----------|
| THIRD ANGLE PROJECTION | MOLEX INCORPORATED | | SHEET NO. |
| | | | 3 OF 9 |

9 8 7 6 5 4 3 2 1

10 9 8 7 6 5 4 3 2 1

LGA 2011 ILM ASSEMBLY
WITH ILM COVER
PART NO: 105142-8100

LGA 2011 ILM ASSEMBLY
WITH ILM COVER AND BACK
PLATE ASSEMBLY
PART NO: 105142-8300



LGA 2011 BACK PLATE ASSEMBLY
PART NO: 105142-7000

| Q'T | ITEM NO | PART NO. | DESCRIPTION |
|-----|---------|-------------|--|
| 1 | TOP | 105142-8300 | LGA 2011 ILM ASSEMBLY WITH ILM COVER AND BACK PLATE ASSEMBLY |
| 1 | 1 | 105142-8100 | LGA2011 ILM ASSEMBLY WITH ILM COVER |
| 1 | 2 | 105142-7000 | LGA2011 BACK PLATE ASSEMBLY |

PROPOSED
EC NO: SH2012-0197
DRWN: YXZHENG 2011/05/13
CHKD:
APPR: AYIN 2012/06/22
REV A

| QUALITY SYMBOLS | GENERAL TOLERANCES (UNLESS SPECIFIED) | |
|-----------------|---------------------------------------|-------|
| | mm | INCH |
| $F_s=0$ | 4 PLACES ± --- | ± --- |
| $F_G=0$ | 3 PLACES ± --- | ± --- |
| $F_C=0$ | 2 PLACES ± 0.20 | ± --- |
| $F_P=0$ | 1 PLACE ± 0.30 | ± --- |
| | ANGULAR ± 3 ° | |

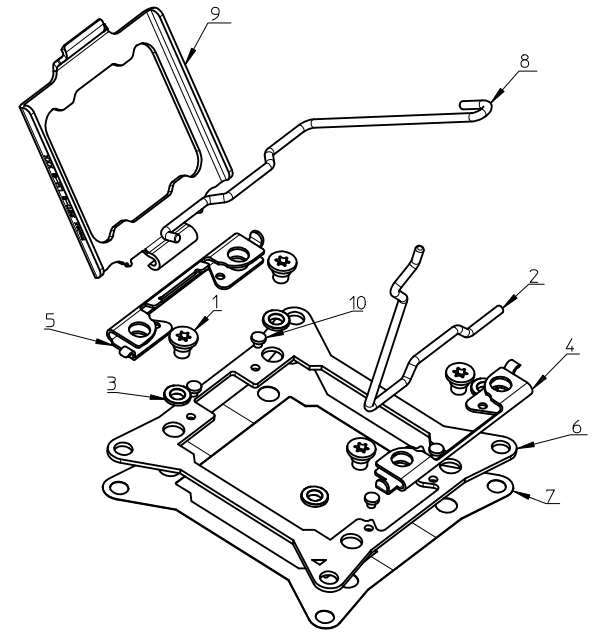
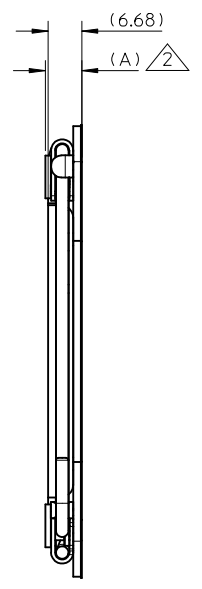
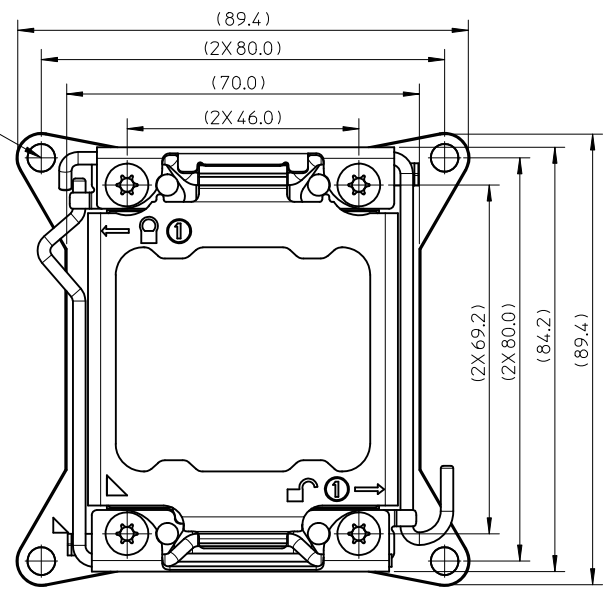
DRAFT WHERE APPLICABLE
MUST REMAIN
WITHIN DIMENSIONS

| DIMENSION STYLE | SCALE | DESIGN UNITS | THIRD ANGLE PROJECTION |
|-----------------|---|--|------------------------|
| MM ONLY | 1:1 | METRIC | |
| DRAWN BY | DATE | TITLE | |
| YXZHENG | 2011/01/26 | ILM AND BACK PLATE DRAWING FOR LGA 2011 SOCKET | |
| CHECKED BY | DATE | APPROVED BY | |
| | | DATE | |
| MATERIAL NO. | | DOCUMENT NO. | |
| SEE TABLE | | SD-105142-800 | |
| SIZE | THIS DRAWING CONTAINS INFORMATION THAT IS PROPRIETARY TO MOLEX INCORPORATED AND SHOULD NOT BE USED WITHOUT WRITTEN PERMISSION | | |
| A3 | | | |

9 8 7 6 5 4 3 2 1

10 9 8 7 6 5 4 3 2 1

HS STUD
(M4 X 0.7MM
INTERNAL THREAD)



| TOP | COMPONENT | | | | |
|---|-----------|------|-------------|---|----------------------------------|
| | ITEM NO | Q'TY | PART NO. | DESCRIPTION | MATERIAL |
| LGA 2011 ILM ASSEMBLY (W/O 4-STUDS) PART NO: 105142-8400 | 1 | 4 | 105143-8001 | LGA2011 CAPTIVE NUT, SHOULDER(φ6-32 THREAD) | STEEL WITH NICKEL PLATING |
| | 2 | 1 | 105143-8002 | LGA2011 ILM ACTIVE LEVER | STAINLESS STEEL |
| | 3 | 4 | 105143-8003 | LGA2011 ILM CAPTIVE NUT COLLAR, SHOULDER | STEEL WITH NICKEL PLATING |
| | 4 | 1 | 105143-8004 | LGA2011 ILM CLEVIS, ACTIVE | STAINLESS STEEL |
| | 5 | 1 | 105143-8005 | LGA2011 ILM CLEVIS, HINGE | STAINLESS STEEL |
| | 6 | 1 | 105143-8007 | LGA2011 ILM FRAME | STEEL WITH NICKEL PLATING |
| | 7 | 1 | 105143-8013 | LGA2011 ILM FRAME INSULATOR (W/O STUD) | HALOGEN FREE POLYCARBONATE SHEET |
| | 8 | 1 | 105143-8009 | LGA2011 ILM HINGE LEVER | STAINLESS STEEL |
| | 9 | 1 | 105143-8011 | LGA2011 ILM LOADPLATE | STAINLESS STEEL |
| | 10 | 4 | 105143-8012 | LGA2011 ILM RIVET | STAINLESS STEEL |

PROPOSED
EC NO: SH2012-0197
DRWN: YXZHENG 2011/05/13
CHKD:
APPR: AYIN 2012/06/22

QUALITY SYMBOLS
 $\nabla_A = 0$
 $\nabla_C = 0$
 $\nabla_B = 0$

GENERAL TOLERANCES (UNLESS SPECIFIED)

| | mm | INCH |
|----------|--------|-------|
| 4 PLACES | ± --- | ± --- |
| 3 PLACES | ± --- | ± --- |
| 2 PLACES | ± 0.20 | ± --- |
| 1 PLACE | ± 0.30 | ± --- |

ANGULAR ± 3 °

DRAFT WHERE APPLICABLE
MUST REMAIN
WITHIN DIMENSIONS

DIMENSION STYLE
MM ONLY

SCALE
1:1

DESIGN UNITS
METRIC

THIRD ANGLE PROJECTION

DRAWN BY
YXZHENG

DATE
2011/01/26

CHECKED BY

DATE

APPROVED BY

DATE

MATERIAL NO.
SEE TABLE

DOCUMENT NO.
SD-105142-800

SHEET NO.
5 OF 9

SIZE
A3

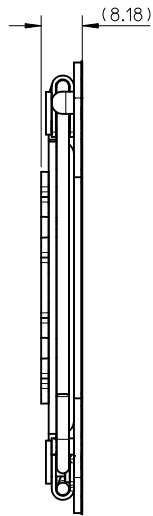
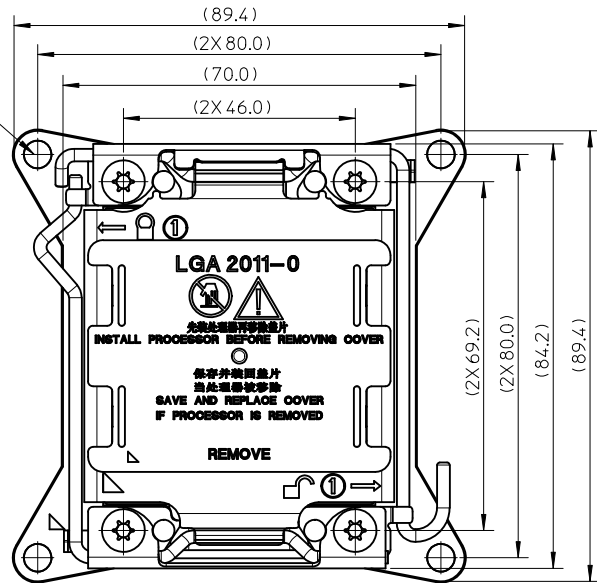
THIS DRAWING CONTAINS INFORMATION THAT IS PROPRIETARY TO MOLEX INCORPORATED AND SHOULD NOT BE USED WITHOUT WRITTEN PERMISSION

TITLE
ILM AND BACK PLATE
DRAWING FOR LGA 2011
SOCKET

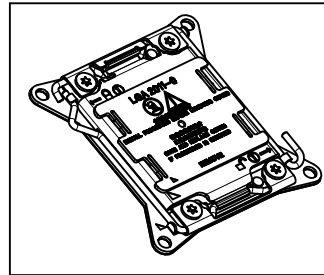
MOLEX INCORPORATED

9 8 7 6 5 4 3 2 1

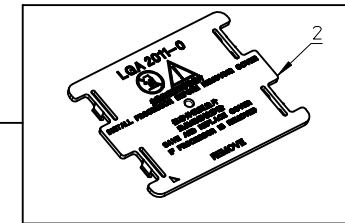
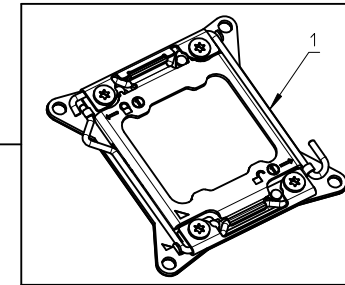
HS STUD
(M4 X 0.7MM
INTERNAL THREAD)



LGA 2011 ILM ASSEMBLY
(W/O 4-STUDS)
WITH ILM COVER
PART NO: 105142-8500



LGA 2011 ILM ASSEMBLY
W/O 4-STUDS
PART NO: 105142-8400

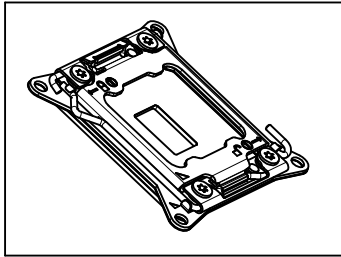


LGA 2011 ILM COVER
PART NO: 105143-8006

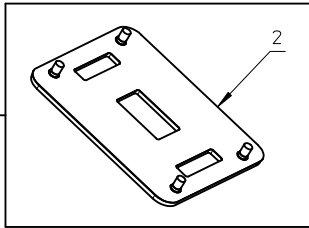
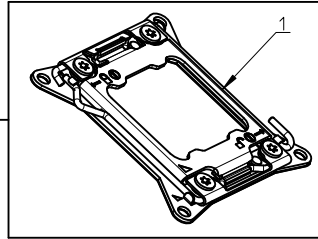
| Q'T | ITEM NO | PART NO. | DESCRIPTION |
|-----|---------|----------|---|
| | 1 | TOP | 105142-8500 LGA 2011 ILM ASSEMBLY W/ILM COVER(W/O STUD) |
| | 1 | 1 | 105142-8400 LGA2011 ILM ASSEMBLY W/O 4-STUDS |
| | 1 | 2 | 105143-8006 LGA2011 ILM COVER (PC/ABS) |

| PROPOSED EC NO: SH2012-0197 DRWN: YXZHENG CHKD: APPR: AYIN 2011/05/13 2012/06/22 | QUALITY SYMBOLS | GENERAL TOLERANCES (UNLESS SPECIFIED) | DIMENSION STYLE | SCALE | DESIGN UNITS | THIRD ANGLE PROJECTION | | | | | | | | | | | | | | | |
|--|--|---|--|---|--------------|------------------------|-------|-------|----------|-------|-------|----------|--------|-------|---------|--------|-------|---------|-----|--------|--|
| | $\nabla_A = 0$ $\nabla_C = 0$ $\nabla_P = 0$ | <table border="1"> <thead> <tr> <th></th> <th>mm</th> <th>INCH</th> </tr> </thead> <tbody> <tr> <td>4 PLACES</td> <td>± ---</td> <td>± ---</td> </tr> <tr> <td>3 PLACES</td> <td>± ---</td> <td>± ---</td> </tr> <tr> <td>2 PLACES</td> <td>± 0.20</td> <td>± ---</td> </tr> <tr> <td>1 PLACE</td> <td>± 0.30</td> <td>± ---</td> </tr> </tbody> </table> | | mm | INCH | 4 PLACES | ± --- | ± --- | 3 PLACES | ± --- | ± --- | 2 PLACES | ± 0.20 | ± --- | 1 PLACE | ± 0.30 | ± --- | MM ONLY | 1:1 | METRIC | |
| | | mm | INCH | | | | | | | | | | | | | | | | | | |
| | 4 PLACES | ± --- | ± --- | | | | | | | | | | | | | | | | | | |
| 3 PLACES | ± --- | ± --- | | | | | | | | | | | | | | | | | | | |
| 2 PLACES | ± 0.20 | ± --- | | | | | | | | | | | | | | | | | | | |
| 1 PLACE | ± 0.30 | ± --- | | | | | | | | | | | | | | | | | | | |
| DESCRIPTION | DRAFT WHERE APPLICABLE MUST REMAIN WITHIN DIMENSIONS | DRAWN BY: YXZHENG DATE: 2011/01/26 CHECKED BY: DATE: APPROVED BY: DATE: | TITLE ILM AND BACK PLATE DRAWING FOR LGA 2011 SOCKET | | | | | | | | | | | | | | | | | | |
| A | | | SEE TABLE | MATERIAL NO. | DOCUMENT NO. | SHEET NO. | | | | | | | | | | | | | | | |
| | | | SIZE: A3 | MOLEX INCORPORATED SD-105142-800 6 OF 9 | | | | | | | | | | | | | | | | | |

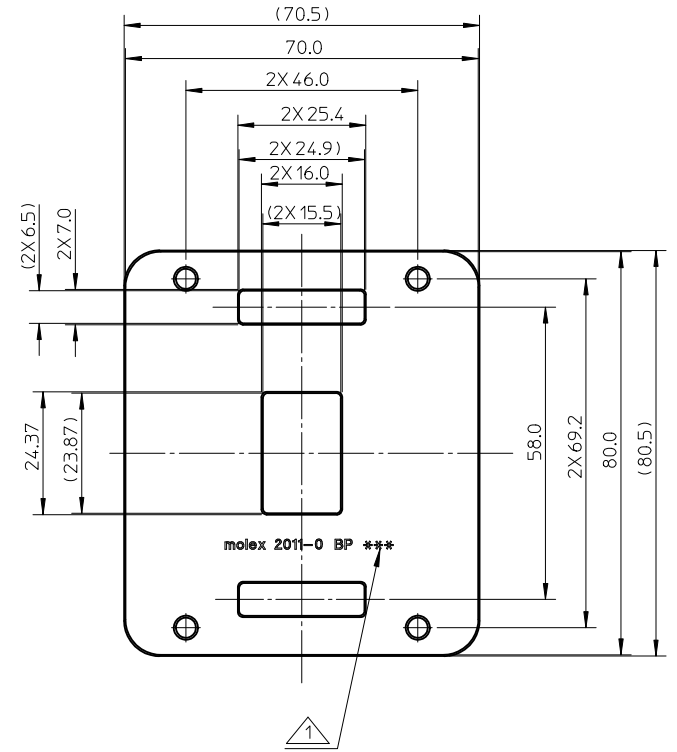
LGA 2011 ILM AND BP ASSEMBLY
W/O 4-STUDS AND ILM COVER
PART NO: 105142-8600



LGA 2011 ILM ASSEMBLY
W/O 4-STUDS
PART NO: 105142-8400



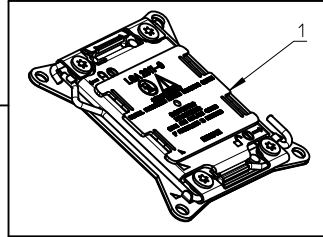
LGA 2011 BACK PLATE ASSEMBLY
PART NO: 105142-7000



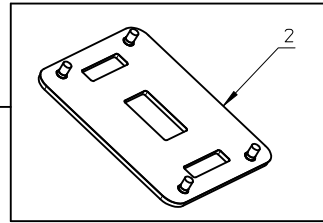
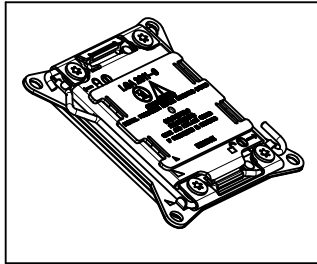
| Q'T | ITEM NO | PART NO. | DESCRIPTION |
|-----|---------|-------------|--|
| 1 | TOP | 105142-8600 | LGA 2011 ILM AND BP ASSEMBLY W/O 4-STUDS,ILM COVER |
| 1 | 1 | 105142-8400 | LGA2011 ILM ASSEMBLY W/O 4-STUDS |
| 1 | 2 | 105142-7000 | LGA2011 BACK PLATE ASSEMBLY |

| | | | | | | | | |
|--|--------------------|-------------------------------|---|---|--|---|------------------------|--|
| PROPOSED EC NO: SH2012-0197 DRWN:YXZHENG 2011/05/13 CHKD: APPR:AYIN 2012/06/22 | DESCRIPTION REV | QUALITY SYMBOLS | GENERAL TOLERANCES (UNLESS SPECIFIED) | DIMENSION STYLE | SCALE | DESIGN UNITS | THIRD ANGLE PROJECTION | |
| | | $F_A=0$ $F_C=0$ $F_P=0$ | mm INCH 4 PLACES ± --- ± --- 3 PLACES ± --- ± --- 2 PLACES ± 0.20 ± --- 1 PLACE ± 0.30 ± --- ANGULAR ± 3 ° | MM ONLY | 1:2 | METRIC | | |
| | | | DRAFT WHERE APPLICABLE MUST REMAIN WITHIN DIMENSIONS | DRAWN BY YXZHENG DATE 2011/01/26 CHECKED BY DATE APPROVED BY DATE | TITLE | ILM AND BACK PLATE DRAWING FOR LGA 2011 SOCKET | | |
| | | | | MATERIAL NO. SEE TABLE SIZE A3 | DOCUMENT NO. SD-105142-800 SHEET NO. 7 OF 9 | MOLEX INCORPORATED THIS DRAWING CONTAINS INFORMATION THAT IS PROPRIETARY TO MOLEX INCORPORATED AND SHOULD NOT BE USED WITHOUT WRITTEN PERMISSION | | |

LGA 2011 ILM ASSEMBLY
 (W/O 4-STUDS)
 WITH ILM COVER
 PART NO: 105142-8500



LGA 2011 ILM AND BP ASSEMBLY
 (W/O 4-STUDS)
 WITH ILM COVER
 PART NO: 105142-8700



LGA 2011 BACK PLATE ASSEMBLY
 PART NO: 105142-7000

| Q'T | ITEM NO | PART NO. | DESCRIPTION |
|-----|---------|-------------|--|
| 1 | TOP | 105142-8700 | LGA 2011 ILM AND BP ASSEMBLY(W/O 4-STUDS) WITH ILM COVER |
| 1 | 1 | 105142-8500 | LGA 2011 ILM ASSEMBLY(W/O 4-STUDS) WITH ILM COVER |
| 1 | 2 | 105142-7000 | LGA2011 BACK PLATE ASSEMBLY |

PROPOSED
 EC NO: SH2012-0197
 DRWN: YXZHENG 2011/05/13
 CHKD: CHYD
 APPR: AYIN 2012/06/22

| QUALITY SYMBOLS | GENERAL TOLERANCES (UNLESS SPECIFIED) | |
|-----------------|---------------------------------------|-----------|
| | mm | INCH |
| $F_A=0$ | 4 PLACES \pm --- | \pm --- |
| $F_C=0$ | 3 PLACES \pm --- | \pm --- |
| $F_G=0$ | 2 PLACES \pm 0.20 | \pm --- |
| $F_P=0$ | 1 PLACE \pm 0.30 | \pm --- |
| | ANGULAR \pm 3 ° | |

| DIMENSION STYLE | | SCALE | DESIGN UNITS |
|-----------------|---|--|--------------|
| MM ONLY | | 1:2 | METRIC |
| DRAWN BY | DATE | TITLE | |
| YXZHENG | 2011/01/26 | ILM AND BACK PLATE DRAWING FOR LGA 2011 SOCKET | |
| CHECKED BY | DATE | APPROVED BY | |
| | | DATE | |
| MATERIAL NO. | | DOCUMENT NO. | |
| SEE TABLE | | SD-105142-800 | |
| SIZE | THIS DRAWING CONTAINS INFORMATION THAT IS PROPRIETARY TO MOLEX INCORPORATED AND SHOULD NOT BE USED WITHOUT WRITTEN PERMISSION | | |
| A3 | | | |

| THIRD ANGLE PROJECTION | |
|------------------------|--------|
| MOLEX INCORPORATED | |
| SHEET NO. | 8 OF 9 |

10 9 8 7 6 5 4 3 2 1

F

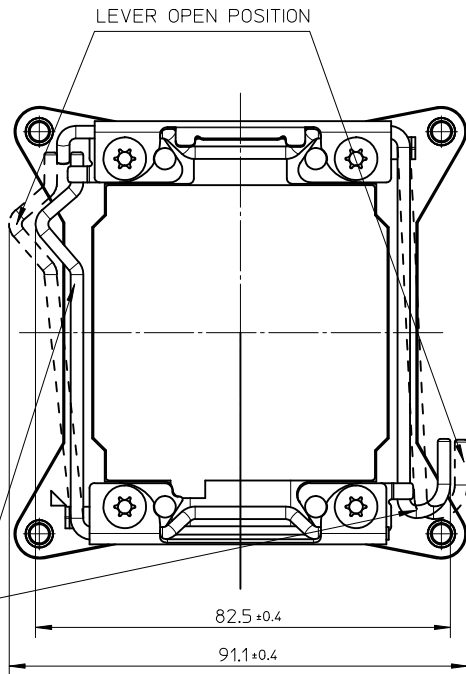
E

D

C

B

A

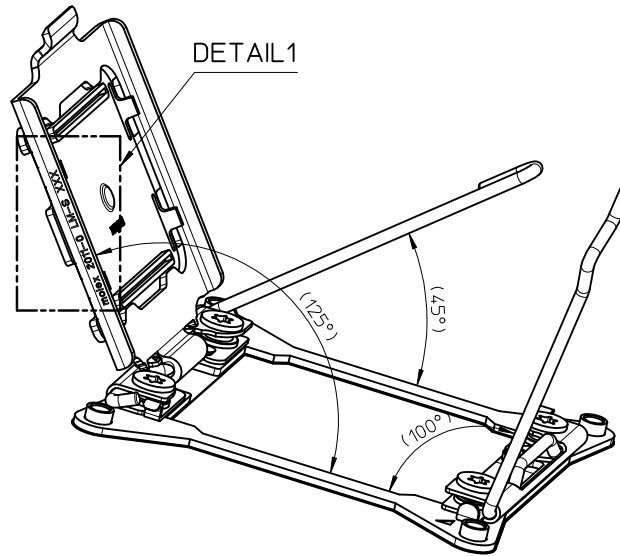


LEVER LOCK POSITION

LEVER OPEN POSITION

82.5±0.4

91.1±0.4

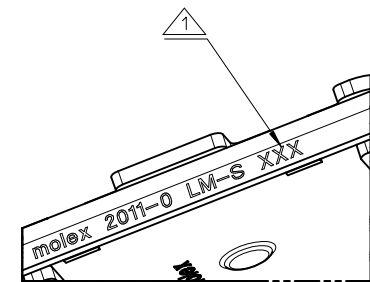


DETAIL 1

(123°)

(57°)

(100°)



DETAIL 1

ILM OPEN ANGLE FOR REFERENCE ONLY

| | | | | | | | | | |
|---|--|--|-------------|-----------------------------------|---------------------|--|--|----------------------------------|------|
| PROPOSED EC NO: SH2012-0197 DRWN: YXZHENG 2011/05/13 CHKD: APPR: AYIN 2012/06/22 | QUALITY SYMBOLS F _A =0 F _B =0 F _C =0 | GENERAL TOLERANCES (UNLESS SPECIFIED) | | DIMENSION STYLE MM ONLY | SCALE 1:1 | DESIGN UNITS METRIC | THIRD ANGLE PROJECTION | | |
| | | | mm | INCH | DRAWN BY YXZHENG | DATE 2011/01/26 | TITLE ILM AND BACK PLATE DRAWING FOR LGA 2011 SOCKET | | |
| | | 4 PLACES | ± --- | ± --- | CHECKED BY | DATE | APPROVED BY | | DATE |
| | | 3 PLACES | ± --- | ± --- | APPROVED BY | | DATE | MATERIAL NO. SEE TABLE | |
| 2 PLACES | ± 0.20 | ± --- | APPROVED BY | | DATE | DOCUMENT NO. SD-105142-800 | | | |
| 1 PLACE | ± 0.30 | ± --- | APPROVED BY | | DATE | SHEET NO. 9 OF 9 | | | |
| ANGULAR ± 3 ° | | DRAFT WHERE APPLICABLE MUST REMAIN WITHIN DIMENSIONS | | MATERIAL NO. SEE TABLE | | THIS DRAWING CONTAINS INFORMATION THAT IS PROPRIETARY TO MOLEX INCORPORATED AND SHOULD NOT BE USED WITHOUT WRITTEN PERMISSION | | | |

9 8 7 6 5 4 3 2 1